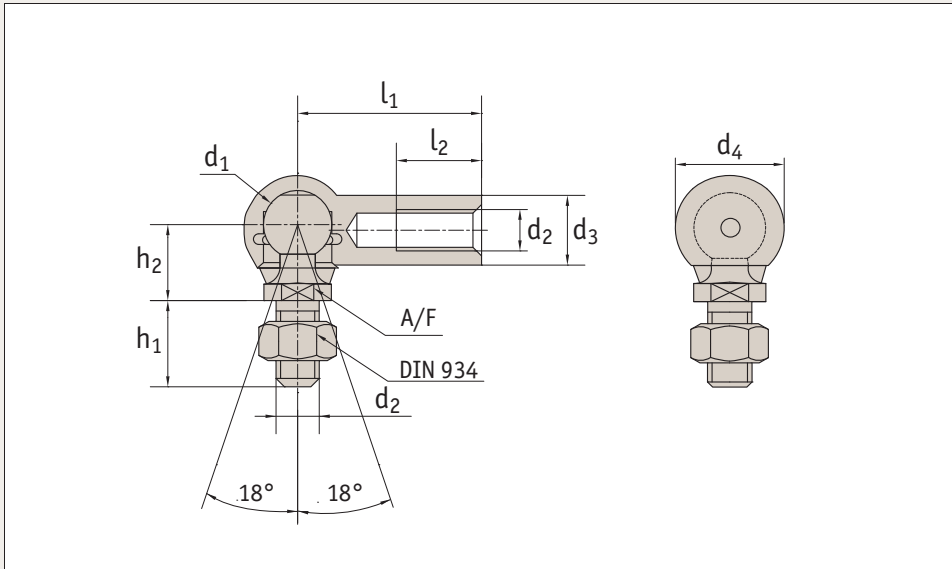


# Stainless Ball and Socket Joint

with sealing cap

Ball & Socket  
Joints



**R3476**

## Material

Stainless steel (A2, AISI 303).  
Sealing cap: neoprene.

## Technical Notes

Supplied with hexagon nut.  
Safety ring aids the retention of the ball stud in the housing.  
\*M14x1,5 is a fine pitch thread.

## Tips

Standard thread is right hand, (for left hand see R3477).

Order No.	Thread (hand)	d <sub>1</sub>	d <sub>2</sub>	l <sub>1</sub> ±0.3	d <sub>3</sub>	d <sub>4</sub>	l <sub>2</sub> min.	Δ <sup>+</sup> Δ <sub>g</sub>
<b>R3476.R005</b>	Right	8	M 5	22	8	12,8	10,2	15,2
<b>R3476.R006</b>	Right	10	M 6	25	10	14,8	11,5	25,2
<b>R3476.R008</b>	Right	13	M 8	30	13	19,3	14,0	53,1
<b>R3476.R010</b>	Right	16	M10	35	16	24,0	15,5	103,8
<b>R3476.R012</b>	Right	16	M12	35	16	24,0	15,5	103,8
<b>R3476.R014</b>	Right	22	M14x1,5*	45	22	30,0	21,5	220,9
<b>R3476.R015</b>	Right	22	M14	45	22	30,0	21,5	220,9
<b>R3476.R016</b>	Right	22	M16	45	22	30,0	21,5	220,9

Order No.	h <sub>1</sub> ±0.3	h <sub>2</sub> ±0.3	A/F h14	Min. extraction force Kg	Max. static load Kg	Max. dynamic load Kg	Max. force required for movement Kg
<b>R3476.R005</b>	10,2	9	7	3	50	20	3
<b>R3476.R006</b>	12,5	11	8	4	100	40	4
<b>R3476.R008</b>	16,5	13	11	6	200	80	6
<b>R3476.R010</b>	20,0	16	13	8	400	160	8
<b>R3476.R012</b>	20,0	16	13	8	400	160	8
<b>R3476.R014</b>	28,0	22	16	10	800	320	10
<b>R3476.R015</b>	28,0	22	16	10	800	320	10
<b>R3476.R016</b>	28,0	22	16	10	800	320	10

info@springfixlinkages.com 01483 266 784

**SPRINGFIX®**  
**LINKAGES**

Springfix Linkages is a division of Automotion Components Ltd