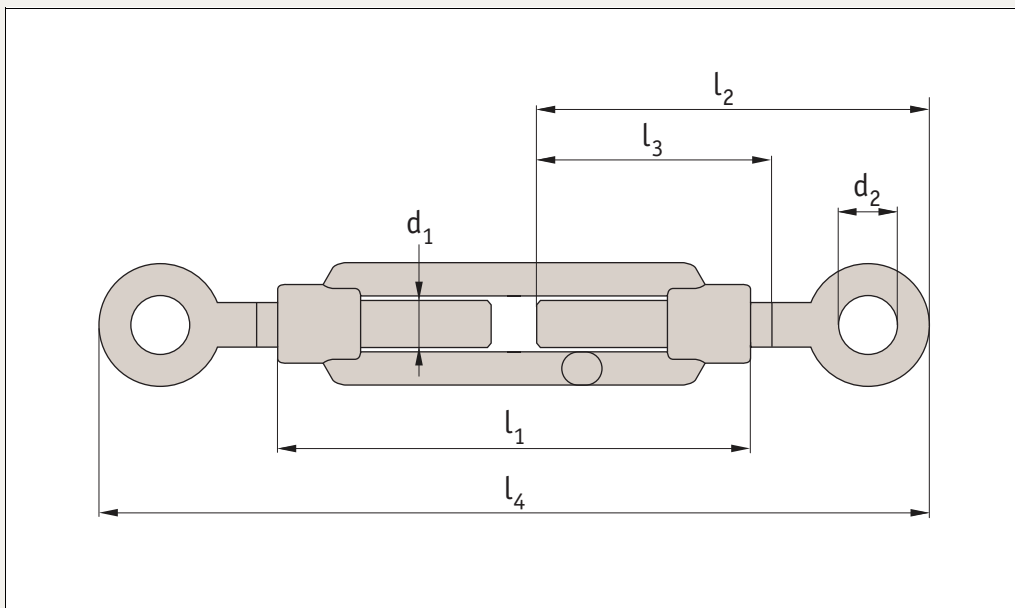




R3842



Material
Stainless steel (A4).

Technical Notes
To DIN 1480 eye to eye.

Tips

Turnbuckles consist of a metal frame with right hand thread one end and left hand thread the other end. Used for tensioning by rotating turnbuckle body

without twisting attached rope or cable.

Important Notes

Turnbuckles are not to be used for lifting.

Only suitable for use in tension.

Order No.	d_1	l_1	l_2	l_3	l_4 min	l_4 max	d_2	\triangle Kg
R3842.006	M 6	110	74	50	148	228	10	0,09
R3842.008	M 8	110	80	52	160	235	11	0,14
R3842.010	M10	125	95	59	191	276	15	0,25
R3842.012	M12	125	107	66	215	295	17	0,37
R3842.016	M16	170	146	85	292	402	22	0,90
R3842.020	M20	200	170	100	340	470	24	1,62