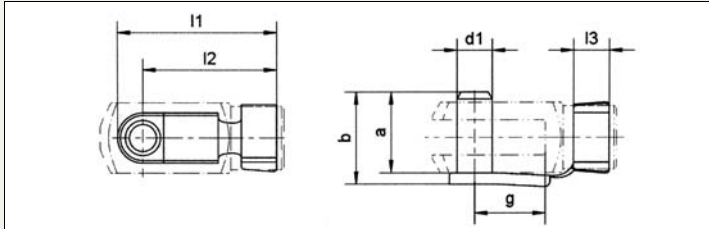


## Clevis Retention Clips (ESM & ESML) for use with clevis joints

Clevis pins  
& clips



**R3435**

y

**Material**  
Pin - Automatic Steel 9SMnPb28  
Spring - Carbon Steel C70. Silver/Clear  
Zinc Plated

**Tips**  
Equivalent to ESM and ESML  
Springfix clips

For yellow zinc plated version see  
R3436

| Order No. | Size  | d1<br>h11 | g  | b  | a  | l1  | l2 | l3  | $\pm 0.1$<br>g |
|-----------|-------|-----------|----|----|----|-----|----|-----|----------------|
| R3435.048 | 4x8   | 4         | 8  | 11 | 9  | 19  | 15 | 4   | 2              |
| R3435.051 | 5x10  | 5         | 10 | 14 | 12 | 23  | 19 | 4,5 | 3              |
| R3435.052 | 5x20  | 5         | 20 | 14 | 12 | 33  | 29 | 4,5 | 3              |
| R3435.061 | 6x12  | 6         | 12 | 16 | 14 | 28  | 23 | 6   | 5              |
| R3435.062 | 6x24  | 6         | 24 | 16 | 14 | 40  | 35 | 6   | 5              |
| R3435.081 | 8x16  | 8         | 16 | 23 | 19 | 37  | 31 | 8   | 11             |
| R3435.083 | 8x32  | 8         | 32 | 23 | 19 | 53  | 47 | 8   | 12             |
| R3435.102 | 10x20 | 10        | 20 | 27 | 23 | 46  | 39 | 10  | 19             |
| R3435.104 | 10x40 | 10        | 40 | 27 | 23 | 66  | 59 | 10  | 20             |
| R3435.122 | 12x24 | 12        | 24 | 32 | 28 | 55  | 46 | 12  | 32             |
| R3435.124 | 12x48 | 12        | 48 | 32 | 28 | 79  | 71 | 12  | 34             |
| R3435.142 | 14x28 | 14        | 28 | 34 | 31 | 62  | 52 | 14  | 47             |
| R3435.145 | 14x56 | 14        | 56 | 34 | 31 | 92  | 82 | 14  | 50             |
| R3435.163 | 16x32 | 16        | 32 | 41 | 36 | 72  | 62 | 16  | 67             |
| R3435.166 | 16x64 | 16        | 64 | 39 | 36 | 103 | 92 | 16  | 74             |
| R3435.204 | 20x40 | 20        | 40 | 49 | 44 | 88  | 72 | 16  | 130            |

Our linkages, your solution 01483 28 6784

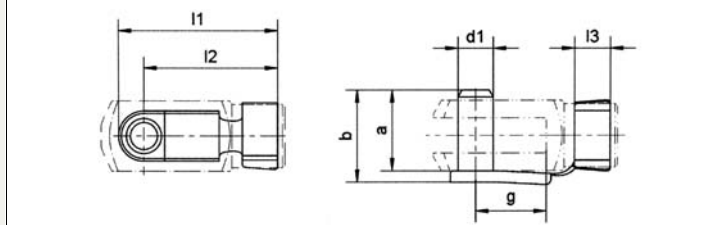
**SPRINGFIX®**  
**LINKAGES**

1

## Clevis pins & clips

## Clevis Retention Clips (ESM & ESML)

for use with clevis joints - yellow zinc plated



### R3436

y

#### Material

Pin - Automatic Steel 9SMnPb28  
Spring - Carbon Steel C70. Yellow Zinc Plated

#### Technical Notes

Yellow zinc is not RoHS Compliant

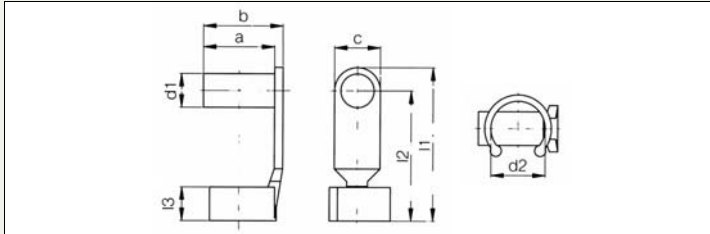
#### Tips

Equivalent to ESM and ESML Springfix clips

| Order No. | Size  | d1<br>h11 | g  | b  | a  | l1  | l2 | l3  | $\frac{\delta}{g}$<br>g |
|-----------|-------|-----------|----|----|----|-----|----|-----|-------------------------|
| R3436.048 | 4x8   | 4         | 8  | 11 | 9  | 19  | 15 | 4   | 2                       |
| R3436.051 | 5x10  | 5         | 10 | 14 | 12 | 23  | 19 | 4,5 | 3                       |
| R3436.052 | 5x20  | 5         | 20 | 14 | 12 | 33  | 29 | 4,5 | 3                       |
| R3436.061 | 6x12  | 6         | 12 | 16 | 14 | 28  | 23 | 6   | 5                       |
| R3436.062 | 6x24  | 6         | 24 | 16 | 14 | 40  | 35 | 6   | 5                       |
| R3436.081 | 8x16  | 8         | 16 | 23 | 19 | 37  | 31 | 8   | 11                      |
| R3436.083 | 8x32  | 8         | 32 | 23 | 19 | 53  | 47 | 8   | 12                      |
| R3436.102 | 10x20 | 10        | 20 | 27 | 23 | 46  | 39 | 10  | 19                      |
| R3436.104 | 10x40 | 10        | 40 | 27 | 23 | 66  | 59 | 10  | 20                      |
| R3436.122 | 12x24 | 12        | 24 | 32 | 28 | 55  | 46 | 12  | 32                      |
| R3436.124 | 12x48 | 12        | 48 | 32 | 28 | 79  | 71 | 12  | 34                      |
| R3436.142 | 14x28 | 14        | 28 | 34 | 31 | 62  | 52 | 14  | 47                      |
| R3436.145 | 14x56 | 14        | 56 | 34 | 31 | 92  | 82 | 14  | 50                      |
| R3436.163 | 16x32 | 16        | 32 | 41 | 36 | 72  | 62 | 13  | 67                      |
| R3436.166 | 16x64 | 16        | 64 | 39 | 36 | 103 | 92 | 16  | 74                      |
| R3436.204 | 20x40 | 20        | 40 | 49 | 44 | 88  | 72 | 16  | 130                     |

## Plastic Clevis Retention Clips

## Clevis pins & clips



### R3437

y

**Material**  
Igumid G plastic - Black

**Technical Notes**  
Spring loaded pins.

**Important Notes**  
For use with R3409 Clevis joints.

| Order No. | d1<br>h11 | d2 | a   | b    | c  | l1<br>±0.5 | l2 | l3   | Size  |
|-----------|-----------|----|-----|------|----|------------|----|------|-------|
| R3437.048 | 4         | 8  | 9,5 | 10,5 | 8  | 19         | 15 | 4,5  | 4x8   |
| R3437.050 | 5         | 9  | 12  | 13,5 | 8  | 23         | 19 | 5,5  | 5x10  |
| R3437.051 | 5         | 10 | 14  | 15,5 | 8  | 27         | 23 | 6,5  | 5x12  |
| R3437.061 | 6         | 10 | 14  | 15,5 | 8  | 27         | 23 | 6,5  | 6x12  |
| R3437.081 | 8         | 14 | 19  | 21,0 | 11 | 35,5       | 30 | 8,0  | 8x16  |
| R3437.102 | 10        | 18 | 23  | 25,5 | 14 | 45         | 38 | 10,0 | 10x20 |
| R3437.122 | 12        | 20 | 28  | 31,0 | 16 | 53         | 45 | 12,0 | 12x24 |
| R3437.162 | 16        | 26 | 36  | 40,0 | 22 | 73         | 62 | 16,0 | 16x32 |

Our linkages, your solution 01483 28 6784

**SPRINGFIX®**  
**LINKAGES**

3

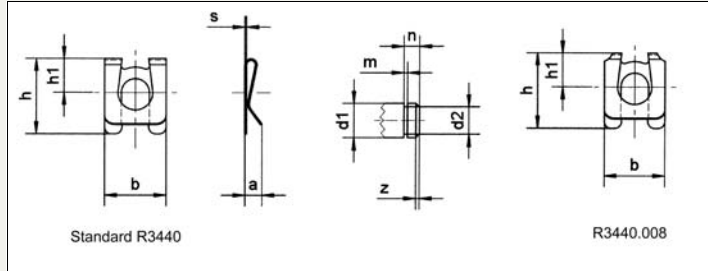
## Clevis pins & clips

## Safety Fastener (SLM) for bolts and shafts



### R3440

y



#### Material

Spring steel, silver zinc plated.  
Hardened and annealed 1450 to 160c  
N/mm<sup>2</sup>  
tensile strength.

#### Technical Notes

<sup>1)</sup>Only for size R3440.008

#### Tips

Easily assembled and removed by hand without special tools. Compatible with clevis pins. safety lip prevents accidental removal.

Assembly rattle is eliminated by the fasteners concave back holding the

clevis pin under tension.

For yellow zinc plated version see **R3441**

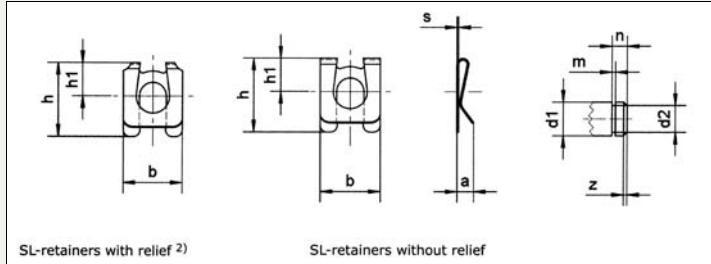
#### Important Notes

**Equivalent to Springfix SLM retainers.**

| Order No. | d1 | b  | h    | h1   | a   | s   | Max. axial thrust (N) | d1 h11 | d2 h11 | m +0,1 | n   | z    | $\frac{\delta^+}{g}$ |
|-----------|----|----|------|------|-----|-----|-----------------------|--------|--------|--------|-----|------|----------------------|
| R3440.004 | 4  | 7  | 8,5  | 4    | 2,3 | 0,3 | 1000                  | 4      | 3,2    | 0,64   | 2   | 0,5  | 19                   |
| R3440.005 | 5  | 9  | 10,7 | 5    | 3,3 | 0,4 | 1300                  | 5      | 4      | 0,74   | 2,5 | 0,5  | 34                   |
| R3440.006 | 6  | 11 | 14,1 | 6    | 3,8 | 0,4 | 1500                  | 6      | 5      | 0,74   | 3   | 0,75 | 63                   |
| R3440.008 | 8  | 14 | 17,5 | 8    | 4   | 0,5 | 3600                  | 8      | 6      | 0,94   | 3,5 | 1    | 110                  |
| R3440.010 | 10 | 18 | 22,1 | 10   | 5   | 0,5 | 6400                  | 10     | 8      | 1,05   | 4,5 | 1    | 211                  |
| R3440.012 | 12 | 22 | 26   | 12   | 5   | 0,5 | 9600                  | 12     | 9      | 1,15   | 5   | 1,25 | 280                  |
| R3440.014 | 14 | 25 | 30   | 13,5 | 6   | 0,6 | 11320                 | 14     | 10     | 1,25   | 5,5 | 1,5  | 474                  |
| R3440.016 | 16 | 28 | 34   | 16   | 6   | 0,6 | 13500                 | 16     | 12     | 1,35   | 6   | 1,5  | 563                  |

## Safety Fastener (SLM) for bolts and shafts, yellow zinc plated

## Clevis pins & clips



### R3441

y

#### Material

Spring steel, Yellow zinc plated.  
Hardened and annealed 1450 to 160c  
N/mm<sup>2</sup>  
tensile strength.

#### Technical Notes

**Yellow zinc is not RoHS  
Compliant**  
2) Only for size R3440.008

#### Tips

Easily assembled and removed by  
hand without special tools. Compatible

with clevis pins. safety lip prevents  
accidental removal.

Assembly rattle is eliminated by the  
fasteners concave back holding the  
clevis pin under tension.

| Order No. | d1 | b  | h    | h1   | a   | s   | Max.<br>axial<br>thrust<br>(N) | d1<br>h11 | d2<br>h11 | m<br>+0,1 | n   | z    | g   |
|-----------|----|----|------|------|-----|-----|--------------------------------|-----------|-----------|-----------|-----|------|-----|
| R3441.004 | 4  | 7  | 8,5  | 4    | 2,3 | 0,3 | 1000                           | 4         | 3,2       | 0,64      | 2   | 0,5  | 19  |
| R3441.005 | 5  | 9  | 10,7 | 5    | 3,3 | 0,4 | 1300                           | 5         | 4         | 0,74      | 2,5 | 0,5  | 34  |
| R3441.006 | 6  | 11 | 14,1 | 6    | 3,8 | 0,4 | 1500                           | 6         | 5         | 0,74      | 3   | 0,75 | 63  |
| R3441.008 | 8  | 14 | 17,5 | 8    | 4   | 0,5 | 3600                           | 8         | 6         | 0,94      | 3,5 | 1    | 110 |
| R3441.010 | 10 | 18 | 22,1 | 10   | 5   | 0,5 | 6400                           | 10        | 8         | 1,05      | 4,5 | 1    | 211 |
| R3441.012 | 12 | 22 | 26   | 12   | 5   | 0,5 | 9600                           | 12        | 9         | 1,15      | 5   | 1,25 | 280 |
| R3441.014 | 14 | 25 | 30   | 13,5 | 6   | 0,6 | 11320                          | 14        | 10        | 1,25      | 5,5 | 1,5  | 474 |
| R3441.016 | 16 | 28 | 34   | 16   | 6   | 0,6 | 13500                          | 16        | 12        | 1,35      | 6   | 1,5  | 563 |

Our linkages, your solution 01483 28 6784

**SPRINGFIX®**  
**LINKAGES**

5

## Clevis pins & clips

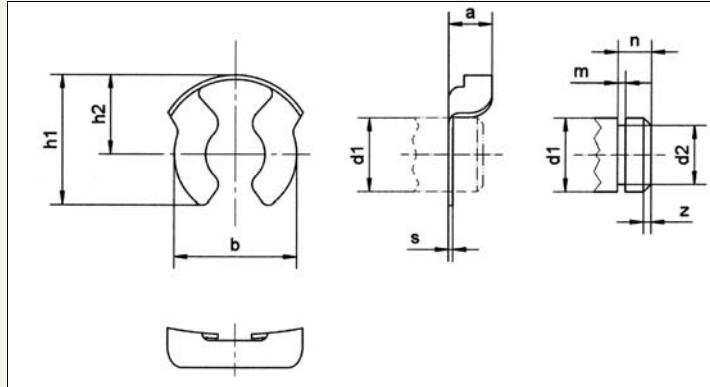
## Safety Fasteners (KLM)

for bolts and shafts



### R3444

y



#### Material

Steel, silver/clear zinc plated.

#### Tips

Easily assembled and removed by hand without special tools.  
For yellow zinc plated version see [R3445](#)

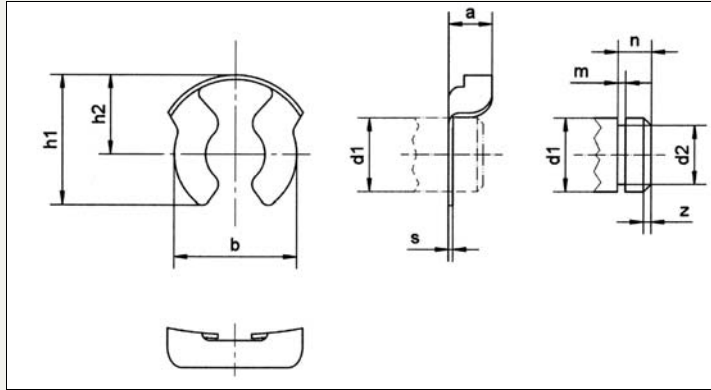
#### Important Notes

Equivalent to Springfix KLM retainers.

| Order No. | d1<br>h11 | b    | h1   | h2   | a   | s   | d2<br>h11 | m<br>+0,1<br>0 | n<br>+0,3<br>0 | z    | Max axial<br>force<br>(N) |
|-----------|-----------|------|------|------|-----|-----|-----------|----------------|----------------|------|---------------------------|
| R3444.004 | 4         | 6,5  | 7    | 4,3  | 2,7 | 0,4 | 3,2       | 0,64           | 2              | 0,5  | 1500                      |
| R3444.005 | 5         | 7,5  | 8,7  | 5,2  | 2,8 | 0,5 | 4         | 0,74           | 2,5            | 0,5  | 3000                      |
| R3444.006 | 6         | 10,4 | 11,5 | 6,8  | 3,5 | 0,5 | 5         | 0,74           | 3              | 0,75 | 4850                      |
| R3444.008 | 8         | 11,5 | 12,1 | 7,2  | 4,1 | 0,5 | 6         | 0,94           | 3,5            | 1    | 5500                      |
| R3444.010 | 10        | 15,6 | 16,3 | 9,5  | 5,9 | 0,6 | 8         | 1,05           | 4,5            | 1    | 9500                      |
| R3444.012 | 12        | 16,7 | 18   | 10,5 | 6,1 | 0,6 | 9         | 1,15           | 5              | 1,25 | 10700                     |
| R3444.014 | 14        | 19   | 20   | 11,5 | 6,5 | 0,7 | 10        | 1,25           | 5,5            | 1,5  | 12700                     |
| R3444.016 | 16        | 22,7 | 23,5 | 13,8 | 7,8 | 0,8 | 12        | 1,35           | 6              | 1,5  | 14000                     |
| R3444.020 | 20-25     | 34,5 | 34   | 20   | 9   | 1   | 16-18     | 1,8            | 8              | 1,5  | 16000                     |

## Safety Fasteners (KLM) for bolts and shafts, yellow zinc plated

## Clevis pins & clips



**R3445**

y

### Material

Steel, Yellow zinc plated.

### Technical Notes

**Yellow zinc is not RoHS  
Compliant**

### Tips

Easily assembled and removed by  
hand without special tools.  
For yellow zinc plated version see  
R3445.

### Important Notes

**Equivalent to Springfix KLM  
retainers.**

| Order No. | d1<br>h11 | b    | h1   | h2   | a   | s   | d2<br>h11 | m<br>+0,1<br>0 | n<br>+0,3<br>0 | z    | Max axial<br>force<br>(N) |
|-----------|-----------|------|------|------|-----|-----|-----------|----------------|----------------|------|---------------------------|
| R3445.004 | 4         | 6,5  | 7    | 4,3  | 2,7 | 0,4 | 3,2       | 0,64           | 2              | 0,5  | 1500                      |
| R3445.005 | 5         | 7,5  | 8,7  | 5,2  | 2,8 | 0,5 | 4         | 0,74           | 2,5            | 0,5  | 3000                      |
| R3445.006 | 6         | 10,4 | 11,5 | 6,8  | 3,5 | 0,5 | 5         | 0,74           | 3              | 0,75 | 4850                      |
| R3445.008 | 8         | 11,5 | 12,1 | 7,2  | 4,1 | 0,5 | 6         | 0,94           | 3,5            | 1    | 5500                      |
| R3445.010 | 10        | 15,6 | 16,3 | 9,5  | 5,9 | 0,6 | 8         | 1,05           | 4,5            | 1    | 9500                      |
| R3445.012 | 12        | 16,7 | 18   | 10,5 | 6,1 | 0,6 | 9         | 1,15           | 5              | 1,25 | 10700                     |
| R3445.014 | 14        | 19   | 20   | 11,5 | 6,5 | 0,7 | 10        | 1,25           | 5,5            | 1,5  | 12700                     |
| R3445.016 | 16        | 22,7 | 23,5 | 13,8 | 7,8 | 0,8 | 12        | 1,35           | 6              | 1,5  | 14000                     |
| R3445.020 | 20-25     | 34,5 | 34   | 20   | 9   | 1   | 16-18     | 1,8            | 8              | 1,5  | 16000                     |

Our linkages, your solution 01483 28 6784

**SPRINGFIX®  
LINKAGES**

7

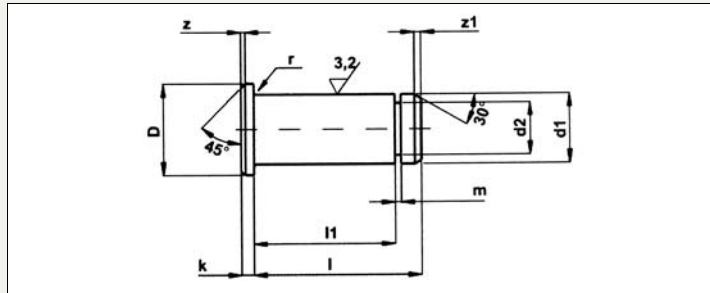
## Clevis pins & clips

## Clevis Pins (NBM)



**R3450**

y



### Material

Steel (9SMnPb28) silver/clear zinc plated.

### Technical Notes

Equivalent to Springfix NBM.  
Designed for use with clevis joints.

### Tips

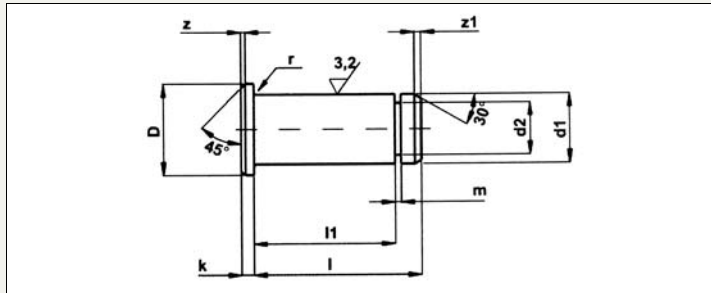
For safety fasteners, see [R3440-R3444](#)  
For yellow zinc plated version see [R3451](#)

| Order No. | d1<br>h11 | D<br>h12 | k<br>js14 | z   | z1   | r   | d2<br>h11 | m<br>+0,1<br>0 | l1<br>+0,3<br>0 | l    |  |
|-----------|-----------|----------|-----------|-----|------|-----|-----------|----------------|-----------------|------|--|
| R3450.004 | 4         | 6        | 1         | 0,5 | 0,5  | 0,3 | 3,2       | 0,64           | 8,5             | 10,5 |  |
| R3450.005 | 5         | 8        | 1,5       | 0,5 | 0,5  | 0,5 | 4         | 0,74           | 10,5            | 13   |  |
| R3450.006 | 6         | 9        | 1,5       | 0,5 | 0,75 | 0,5 | 5         | 0,74           | 12,5            | 15,5 |  |
| R3450.008 | 8         | 12       | 2         | 1   | 1    | 0,5 | 6         | 0,94           | 16,5            | 20   |  |
| R3450.010 | 10        | 14       | 2         | 1   | 1    | 0,5 | 8         | 1,05           | 20,5            | 25   |  |
| R3450.012 | 12        | 17       | 3         | 1,5 | 1,25 | 0,5 | 9         | 1,15           | 24,5            | 30   |  |
| R3450.014 | 14        | 19       | 3         | 1,5 | 1,5  | 1   | 10        | 1,25           | 27,5            | 33   |  |
| R3450.016 | 16        | 20       | 3         | 1,5 | 1,5  | 1   | 12        | 1,35           | 32,5            | 38,5 |  |
| R3450.020 | 20        | 26       | 4         | 2   | 1,5  | 1   | 17,5      | 1,8            | 40,5            | 46   |  |
| R3450.025 | 25        | 32       | 5         | 2   | 1,5  | 1   | 18        | 1,8            | 50,5            | 57   |  |

## Clevis Pins

yellow zinc plated

## Clevis pins & clips



**R3451**

y

**Material**  
Steel (9SMnPb28)  
Yellow zinc plated

**Technical Notes**  
Equivalent to Springfix NBM.  
Designed for use with clevis joints.

**Yellow zinc is not RoHS Compliant**

**Tips**  
For safety fasteners, see [R3440-R3445](#)

| Order No. | d1<br>h11 | l    | D<br>h12 | k<br>js14 | z   | z1   | r   | d2<br>h11 | m<br>+0,1<br>0 | l1<br>+0,3<br>0 | l    |
|-----------|-----------|------|----------|-----------|-----|------|-----|-----------|----------------|-----------------|------|
| R3451.004 | 4         | 10,5 | 6        | 1         | 0,5 | 0,5  | 0,3 | 3,2       | 0,64           | 8,5             | 10,5 |
| R3451.005 | 5         | 13   | 8        | 1,5       | 0,5 | 0,5  | 0,5 | 4         | 0,74           | 10,5            | 13   |
| R3451.006 | 6         | 15,5 | 9        | 1,5       | 0,5 | 0,75 | 0,5 | 5         | 0,74           | 12,5            | 15,5 |
| R3451.008 | 8         | 20   | 12       | 2         | 1   | 1    | 0,5 | 6         | 0,94           | 16,5            | 20   |
| R3451.010 | 10        | 25   | 14       | 2         | 1   | 1    | 0,5 | 8         | 1,05           | 20,5            | 25   |
| R3451.012 | 12        | 30   | 17       | 3         | 1,5 | 1,25 | 0,5 | 9         | 1,15           | 24,5            | 30   |
| R3451.014 | 14        | 33   | 19       | 3         | 1,5 | 1,5  | 1   | 10        | 1,25           | 27,5            | 33   |
| R3451.016 | 16        | 38,5 | 20       | 3         | 1,5 | 1,5  | 1   | 12        | 1,35           | 32,5            | 38,5 |
| R3451.020 | 20        | 46   | 26       | 4         | 2   | 1,5  | 1   | 17,5      | 1,8            | 40,5            | 46   |
| R3451.025 | 25        | 57   | 32       | 5         | 2   | 1,5  | 1   | 18        | 1,8            | 50,5            | 57   |

Our linkages, your solution 01483 28 6784

**SPRINGFIX®**  
**LINKAGES**

9

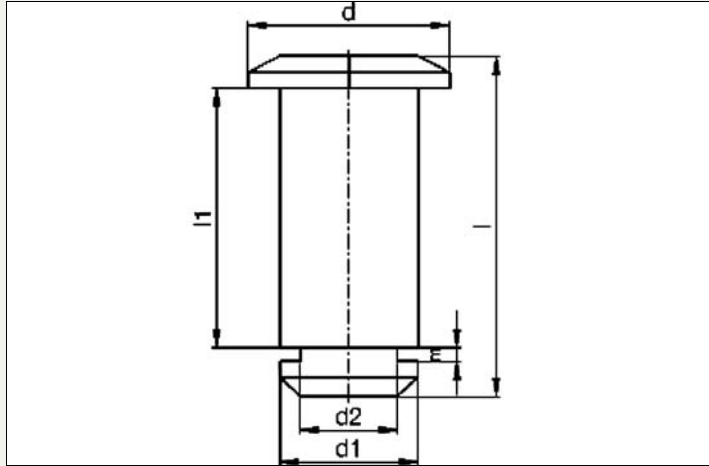
## Clevis pins & clips

## Plastic Clevis Pins



**R3453**

y



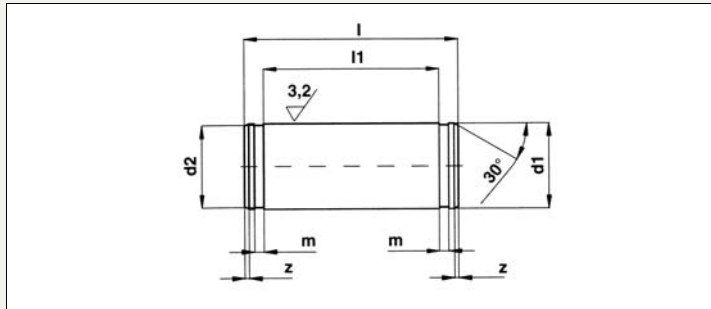
**Material**  
Igmud G plastic - Black

**Important Notes**  
For use with **R3409** clevis joints and **R3446** circlips.

| Order No.   | d1    | d2   | d     | l     | l1    | m    |
|-------------|-------|------|-------|-------|-------|------|
| R3453.004   | 4,00  | 3,2  | 7,00  | 12,50 | 8,00  | 1,05 |
| R3453.005   | 5,00  | 4,0  | 8,00  | 16,50 | 12,00 | 1,15 |
| R3453.005-1 | 5,00  | 4,0  | 8,00  | 14,50 | 10,00 | 1,15 |
| R3453.006   | 6,00  | 4,0  | 9,00  | 16,50 | 12,00 | 1,15 |
| R3453.008   | 8,00  | 5,0  | 12,00 | 21,50 | 16,00 | 1,15 |
| R3453.010   | 10,00 | 7,0  | 15,00 | 27,00 | 20,00 | 1,35 |
| R3453.012   | 12,00 | 9,0  | 18,00 | 31,50 | 24,00 | 1,50 |
| R3453.014   | 14,00 | 12,0 | 22,00 | 36,00 | 27,00 | 1,70 |
| R3453.015   | 15,00 | 12,0 | 23,00 | 36,00 | 27,00 | 1,70 |
| R3453.016   | 16,00 | 12,0 | 24,00 | 42,00 | 32,00 | 1,70 |
| R3453.017   | 17,00 | 12,0 | 25,00 | 42,00 | 32,00 | 1,70 |
| R3453.020   | 20,00 | 15,0 | 30,00 | 51,00 | 40,00 | 2,00 |

## Clevis Pins Stainless Steel

## Clevis pins & clips



**R3454**

y  
y

**Material**  
Stainless Steel AISI 303

**Technical Notes**  
For use with R3402-R3403 clevis joints  
and R3447 circlips.

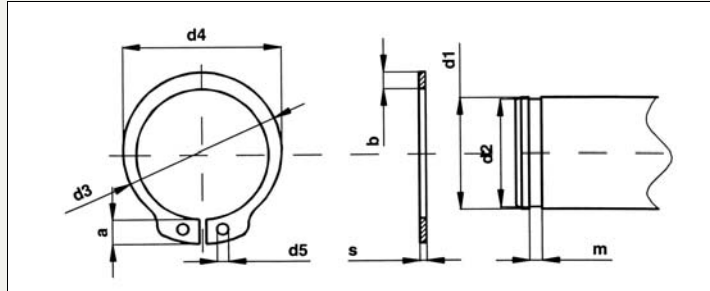
| Order No. | d1<br>h11 | l<br>+0,4<br>0 | d2<br>h11 | l1<br>+0,3<br>0 | z | m<br>H13 | g   |
|-----------|-----------|----------------|-----------|-----------------|---|----------|-----|
| R3454.005 | 5         | 15             | 4,8       | 10,5            | 1 | 0,7      | 3   |
| R3454.006 | 6         | 17             | 5,7       | 12,2            | 1 | 0,8      | 5   |
| R3454.008 | 8         | 20             | 7,6       | 16,5            | 1 | 0,9      | 8   |
| R3454.010 | 10        | 25             | 9,6       | 20,5            | 1 | 1,1      | 15  |
| R3454.012 | 12        | 30             | 11,5      | 24,5            | 1 | 1,1      | 26  |
| R3454.016 | 16        | 39             | 15,2      | 32,5            | 1 | 1,1      | 61  |
| R3454.020 | 20        | 48             | 19        | 40,5            | 1 | 1,3      | 118 |

## Clevis pins & clips

## Stainless Steel Circlips



**R3447**



**Material**  
Stainless Steel AISI 303

**Technical Notes**  
For use with R3454 clevis pins and  
R3402-R3403 clevis joints.

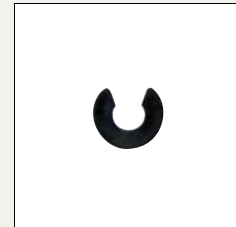
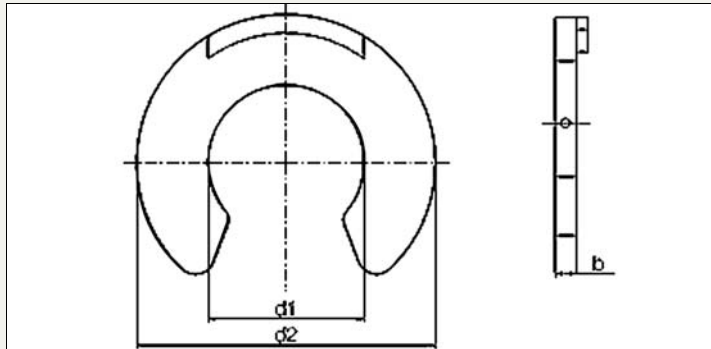
**Tips**  
Minimum order quantity of 10

**DIN 471**

| Order No. | S   | d3   | d4   | d5<br>min | a<br>max | b   | m   | d <sub>1</sub> | d <sub>2</sub> |
|-----------|-----|------|------|-----------|----------|-----|-----|----------------|----------------|
| R3447.005 | 0,6 | 4,7  | 10,3 | 1         | 2,5      | 1,1 | 0,7 | 5              | 4,8            |
| R3447.006 | 0,7 | 5,6  | 11,7 | 1,15      | 2,7      | 1,3 | 0,8 | 6              | 5,7            |
| R3447.008 | 0,8 | 7,4  | 14,7 | 1,2       | 3,2      | 1,5 | 1,1 | 8              | 7,6            |
| R3447.010 | 1   | 11   | 19   | 1,7       | 3,3      | 1,8 | 1,1 | 10             | 9,6            |
| R3447.012 | 1   | 11   | 19   | 1,7       | 3,3      | 1,8 | 1,1 | 12             | 11,5           |
| R3447.016 | 1   | 14,7 | 23,8 | 1,7       | 3,7      | 2,2 | 1,1 | 16             | 15,2           |
| R3447.020 | 1,2 | 18,5 | 28,4 | 2         | 4        | 2,6 | 1,3 | 20             | 19,0           |

## Plastic Circlips

## Clevis pins & clips



**R3446**

**Material**  
POM plastic - Black

**Important Notes**  
For use with R3409 clevis joints and  
R3453 clevis pins.

| Order No. | d1    | d2   | b    |
|-----------|-------|------|------|
| R3446.004 | 3,20  | 7,0  | 1,00 |
| R3446.006 | 4,00  | 9,0  | 1,10 |
| R3446.008 | 5,00  | 11,0 | 1,10 |
| R3446.010 | 7,00  | 14,0 | 1,30 |
| R3446.012 | 9,00  | 18,5 | 1,40 |
| R3446.016 | 12,00 | 23,0 | 1,60 |
| R3446.020 | 15,00 | 28,0 | 1,90 |



**Clevis pins  
& clips**

**Plastic Circlips**