

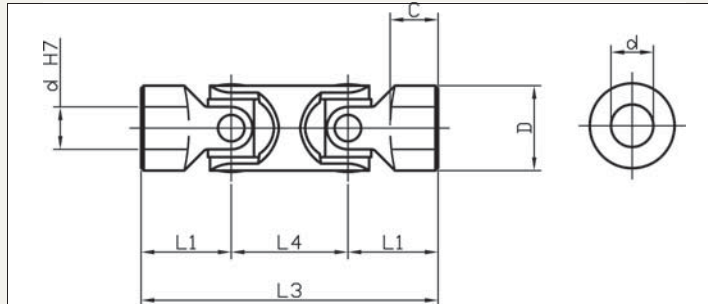
Universal joints

Universal Joint double - stainless steel



R3696

808
y



Material
Stainless Steel AISI 304

Technical Notes
Maximum Bending angle 45° per joint.

Tips
Product variations available on request: Keyways, Square bores and hex shaped bores.

DIN 808

Order No.	d H7	D	L3	L1	L4	C	$\frac{\delta^+ \Delta}{g}$
R3696.006	6	16	56	17	22	8	80
R3696.008	8	16	62	20	22	11	80
R3696.010	10	22	74	24	26	12	150
R3696.012	12	25	86	28	30	13	250
R3696.016	16	32	104	34	36	16	450
R3696.020	20	42	128	41	46	18	1000
R3696.025	25	50	163	54	55	26	2000
R3696.030	30	58	190	61	68	29	2900