

## Rod Ends

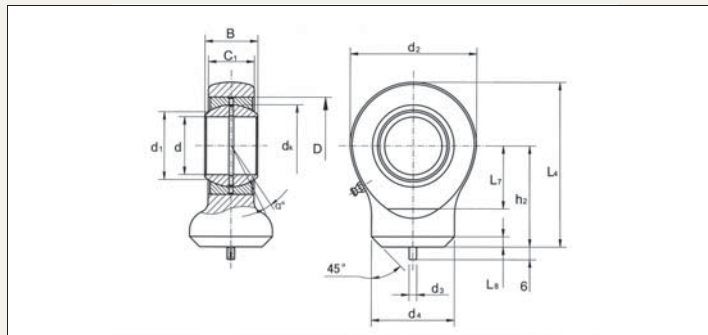
## Hydraulic Rod Ends

### Weld-On Base



## R3620

y



#### Material

Housing: Forged Steel, st 52-3  
Steel on Steel Bearing requiring lubrication.  
Spherical Plain Bearing.

#### Technical Notes

up to size 12 not regreasable.  
Rod Ends Series E to **DIN ISO 12240-4**

#### Tips

For Weld-on piston Rod ends.

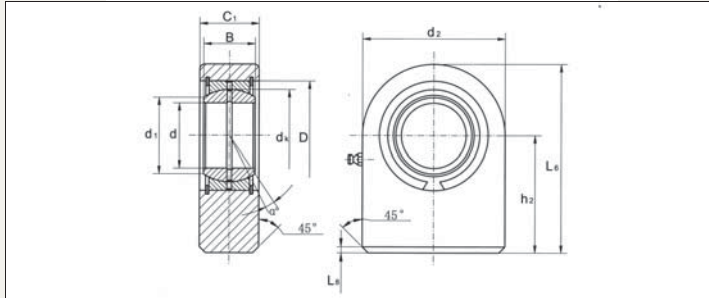
Order No.	d	d <sub>1</sub>	B	C <sub>1</sub>	d <sub>k</sub>	d <sub>2</sub>	L <sub>4</sub>	h <sub>2</sub>	L <sub>7 min</sub>	Δ <sup>±A</sup> g
R3620.010	10	13,2	9	7	16	29	38,5	24	15	41
R3620.012	12	15	10	8	18	34	44	27	18	66
R3620.015	15	18,4	12	10	22	40	51	31	20	120
R3620.017	17	20,7	14	11	25	46	58	35	23	190
R3620.020	20	24,2	16	13	29	53	64,5	38	27,5	230
R3620.025	25	29,3	20	17	35,5	64	77	45	33	430
R3620.030	30	34,2	22	19	40,7	73	87,5	51	37,5	640
R3620.035	35	39,8	25	21	47	82	102	61	43	960
R3620.040	40	45,0	28	23	53	92	115	69	48	1300
R3620.045	45	50,8	32	27	60	102	128	77	52	1800
R3620.050	50	55,9	35	30	66	112	144	88	59	2500
R3620.060	60	66,8	44	38	80	135	167,5	100	72,5	3900
R3620.070	70	77,9	49	42	92	160	195	115	86	6600
R3620.080	80	89,4	55	47	105	180	231	141	98	8700

Order No.	L <sub>8</sub>	d <sub>3</sub>	d <sub>4</sub>	D	α	Max. dyn load C (N)	Max. static load C <sub>0</sub> (N)
R3620.010	1,5	3	15,0	19	12	8150	15600
R3620.012	1,5	3	17,5	22	11	10800	21600
R3620.015	2,0	4	21,0	26	8	17000	32000
R3620.017	2,0	4	24,0	30	10	21200	40000
R3620.020	2,0	4	27,5	35	9	30000	54000
R3620.025	3,0	4	33,5	42	7	48000	72000
R3620.030	3,0	4	40,0	47	6	62000	95000
R3620.035	3,0	4	47,0	55	6	80000	125000
R3620.040	4,0	4	52,0	62	7	100000	156000
R3620.045	4,0	6	58,0	68	7	127000	208000
R3620.050	4,0	6	62,0	75	6	156000	250000
R3620.060	4,0	6	70,0	90	6	245000	390000
R3620.070	5,0	6	80,0	105	6	315000	510000
R3620.080	5,0	6	95,0	120	6	400000	620000

# Hydraulic Rod Ends

## Weld-On Base

# Rod Ends



## R3622

y

### Material

Housing: Forged Steel, st 52-3  
Steel on steel bearing requiring lubrication.  
Spherical plain bearing.

### Technical Notes

Fitted with hydraulic grease nipple to **DIN 71412**

### Tips

Rod ends with rectangular surface for weld-on. Spherical plain bearings fixed with snap rings.

Order No.	d	C <sub>1</sub>	B	d <sub>2</sub>	L <sub>k</sub>	h <sub>2</sub>	d <sub>k</sub>	$\frac{d_1}{g}$
R3622.020	20	19	16	50	63,0	38	29,0	350
R3622.025	25	23	20	55	72,5	45	35,5	530
R3622.030	30	28	22	65	83,5	51	40,7	870
R3622.035	35	30	25	83	102,5	61	47,0	1500
R3622.040	40	35	28	100	119	69	53,0	2400
R3622.045	45	40	32	110	132	77	60,0	3400
R3622.050	50	40	35	123	149,5	88	66,0	4400
R3622.060	60	50	44	140	170	100	80,0	7100
R3622.070	70	55	49	164	197	115	92,0	10500
R3622.080	80	60	55	180	231	141	105	15000
R3622.090	90	65	60	226	263	150	115	23500
R3622.100	100	70	70	250	295	170	130	31500
R3622.110	110	80	70	295	332,5	185	140	48500
R3622.120	120	90	85	360	390	210	160	79000

Order No.	d <sub>1</sub>	D	L <sub>s</sub>	$\alpha$	Max. dyn load C (N)	Max. static load C <sub>0</sub> (N)
R3622.020	24,2	35	2	9	30000	67000
R3622.025	29,3	42	2	7	48000	69500
R3622.030	34,2	47	2	6	62000	118000
R3622.035	39,8	55	2	6	80000	196000
R3622.040	45,0	62	3	7	100000	300000
R3622.045	50,8	68	3	7	127000	380000
R3622.050	55,9	75	3	6	156000	440000
R3622.060	66,8	90	4	6	245000	570000
R3622.070	77,9	105	4	6	315000	695000
R3622.080	89,4	120	4	6	400000	780000
R3622.090	98,1	130	4	5	490000	1340000
R3622.100	109,5	150	4	7	610000	1500000
R3622.110	121,2	160	4	6	655000	2160000
R3622.120	135,5	180	4	6	950000	3250000

Our linkages, your solution 01483 26 6784

**SPRINGFIX®**  
**LINKAGES**

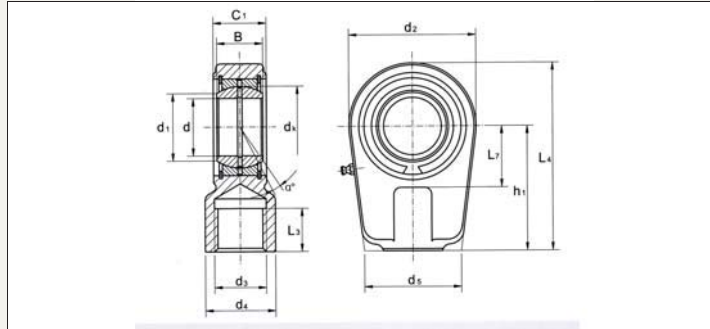
## Rod Ends

## Hydraulic Rod Ends with female thread



### R3624

y



#### Material

Housing: Heat-treated steel (C45).  
Forged from size 120 made from ductiled iron G5400.  
Steel on steel bearing requiring lubrication.  
Spherical plain bearing.

#### Technical Notes

Fitted with hydraulic grease nipples to DIN71412.  
Rod ends with short thread, particularly suited to hydraulic cylinders.

Spherical plain bearing fixed with snap rings.

#### Tips

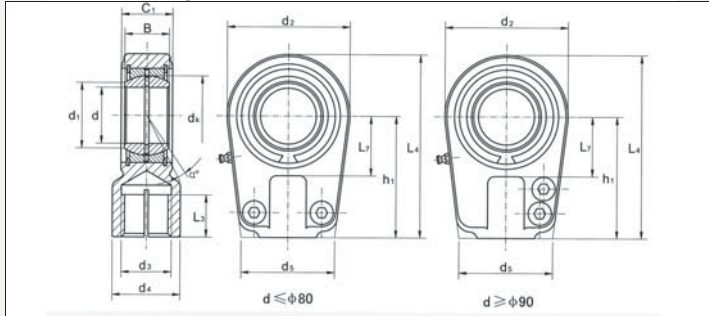
For use with shortest relay distances and maximum stroke utilization.

Order no.	d	d <sub>3</sub> 6H	d <sub>4</sub>	L <sub>3</sub> min.	B	C <sub>1</sub>	d <sub>2</sub>	L <sub>7</sub> min.	h <sub>1</sub>	Δ <sup>±Δ</sup> g
R3624.020	20	M16x1,5	25	17	16	19	56	25	50	430
R3624.025	25	M16x1,5	25	17	20	23	56	28	50	480
R3624.030	30	M22x1,5	32	23	22	28	64	30	60	740
R3624.035	35	M28x1,5	40	29	25	30	78	38	70	1200
R3624.040	40	M35x1,5	49	36	28	35	94	45	85	2000
R3624.050	50	M45x1,5	61	46	35	40	116	55	105	3800
R3624.060	60	M58x1,5	75	59	44	50	130	65	130	5400
R3624.070	70	M65x1,5	86	66	49	55	154	75	150	5400
R3624.080	80	M80x2,0	105	81	55	60	176	80	170	12000
R3624.090	90	M100x2,0	124	101	60	65	206	90	210	21500
R3624.100	100	M110x2,0	138	111	70	70	230	105	235	27500
R3624.110	110	M120x3,0	152	125	70	80	265	115	265	40500
R3624.120	120	M130x3,0	172	135	85	90	340	140	310	76000

Order no.	L <sub>4</sub>	d <sub>5</sub>	d <sub>1</sub>	d <sub>k</sub>	α	Max. dyn load C (N)	Max. static love C <sub>0</sub> (N)
R3624.020	80	46	24,2	29	9	30000	72000
R3624.025	80	46	29,3	35,5	7	48000	72000
R3624.030	94	50	34,2	40,7	6	62000	106000
R3624.035	112	66	39,8	47	6	80000	153000
R3624.040	135	76	45	53	7	100000	250000
R3624.050	168	90	55,9	66	6	156000	365000
R3624.060	200	120	66,8	80	6	245000	400000
R3624.070	237	130	77,9	92	6	245000	400000
R3624.080	265	160	89,4	105	6	400000	670000
R3624.090	323	180	98,1	115	5	490000	980000
R3624.100	360	200	109,5	130	7	610000	1120000
R3624.110	407,5	220	121,2	140	6	655000	1700000
R3624.120	490	257	135,5	160	6	950000	2900000

## Hydraulic Rod Ends with female thread and locking nuts.

## Rod Ends



### R3626

y

#### Material

Housing: Heat-treated steel (C45).  
Forged from size 120 made from ductiled iron G5400.  
Steel on steel bearing requiring

lubrication.  
Spherical plain bearing.

#### Technical Notes

Fitted with hydraulic grease nipples to DIN71412.  
Hex socket cap screw to DIN912-12.9.

Spherical plain bearings fixed with snap rings.

#### Tips

For use with shortest relay distances and maximum stroke utilization.

Order no.	d	d <sub>3</sub> ±0.1	d <sub>4</sub>	L <sub>3</sub> min.	B	C <sub>1</sub>	d <sub>2</sub>	L <sub>7</sub> min.	h <sub>1</sub>	Δ±Δ g
R3626.020	20	M16x1,5	25	17	16	19	56	25	50	80
R3626.030	30	M22x1,5	32	23	22	28	64	30	60	94
R3626.025	25	M16x1,5	25	17	20	23	56	28	50	80
R3626.035	35	M28x1,5	40	29	25	30	78	38	70	112
R3626.040	40	M35x1,5	49	36	28	35	94	45	85	135
R3626.050	50	M45x1,5	61	46	35	40	116	55	105	168
R3626.060	60	M58x1,5	75	59	44	50	130	65	130	200
R3626.070	70	M65x1,5	86	66	49	55	154	75	150	237
R3626.080	80	M80x2,0	105	81	55	60	176	80	170	265
R3626.090	90	M100x2,0	124	101	60	65	206	90	210	323
R3626.100	100	M110x2,0	138	111	70	70	230	105	235	360
R3626.110	110	M120x3,0	152	125	70	80	265	115	265	407,5
R3626.120	120	M130x3,0	172	135	85	90	340	140	310	490

Order no.	L <sub>4</sub>	d <sub>5</sub>	d <sub>1</sub>	d <sub>k</sub>	α	Max.dyn load C (N)	Max. static load C <sub>0</sub> (N)
R3626.020	80	46	24,2	29	9	30000	72000
R3626.030	94	50	34,2	40,7	6	62000	106000
R3626.025	80	46	29,3	35,5	7	48000	72000
R3626.035	112	66	39,8	47	6	80000	153000
R3626.040	135	76	45	53	7	100000	250000
R3626.050	168	90	55,9	66	6	156000	365000
R3626.060	200	120	66,8	80	6	245000	400000
R3626.070	237	130	77,9	92	6	315000	540000
R3626.080	265	160	89,4	105	6	400000	670000
R3626.090	323	180	98,1	115	5	490000	980000
R3626.100	360	200	109,5	130	7	610000	1120000
R3626.110	407,5	220	121,2	140	6	655000	1700000
R3626.120	490	257	135,5	160	6	1700000	2900000

Our linkages, your solution 01483 26 6784

**SPRINGFIX®**  
**LINKAGES**

55

## Rod Ends

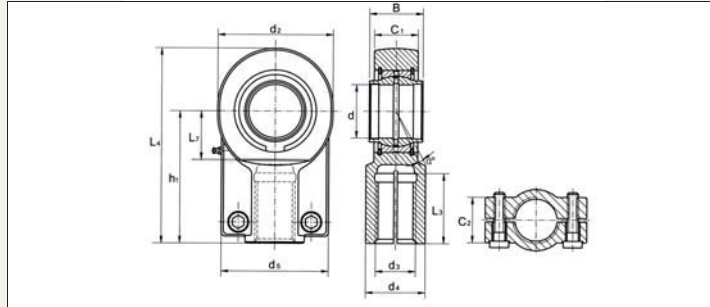
## Hydraulic Rod Ends

with female thread and locking nuts



### R3628

y



#### Material

Heat treated steel (C45).  
From size 160, made from ductiled iron G5400.  
Bearing: steel on steel requiring lubrication.

#### Technical Notes

DIN24338/ISO6982.  
For standard hydraulic cylinders, fastened by hexagon socket cup screws to DIN912-12.9.

Spherical plain bearings, regreasable, fixed with snap rings.

#### Tips

Size 12 is not regreasable.

Order no.	d	B	C <sub>1</sub>	d <sub>3</sub> 6H	d <sub>4</sub>	L <sub>3</sub> min.	d <sub>2</sub>	L <sub>4</sub>	h <sub>1</sub>	$\Delta \bar{a}$ g
R3628.012	12	12	11	M12x1,25	16,5	17	32	54	38	100
R3628.016	16	16	14	M14x1,5	21	19	40	64	44	200
R3628.020	20	20	17	M16x1,5	25	23	47	77	52	400
R3628.025	25	25	22	M20x1,5	30	29	58	96	65	660
R3628.032	32	32	28	M27x2,0	38	37	71	118,5	80	1200
R3628.040	40	40	33	M33x2,0	47	46	90	146	97	2100
R3628.050	50	50	41	M42x2,0	58	57	109	179,5	120	4400
R3628.063	63	63	53	M48x2,0	70	64	136	213	140	7600
R3628.070	70	70	57	M56x2,0	80	76	155	245	160	9500
R3628.080	80	80	66	M64x3,0	90	86	168	270	180	14500
R3628.090	90	90	72	M72x3,0	100	91	185	296	195	17000
R3628.100	100	100	84	M80x3,0	110	96	210	322	210	28000
R3628.110	110	110	88	M90x3,0	125	106	235	364	235	32000
R3628.125	125	125	102	M100x3,0	135	113	260	405	260	43000

Order no.	L <sub>7</sub> min.	C <sub>2</sub>	d <sub>5</sub>	$\alpha$	Max. dyn C (N)	Max. dyn C <sub>1</sub> (N)
R3628.012	14	11	32	4	10800	1760
R3628.016	18	14	40	4	17600	36500
R3628.020	22	17	47	4	30000	48000
R3628.025	27	19	54	4	48000	78000
R3628.032	32	22	66	4	67000	114000
R3628.040	41	26	80	4	100000	204000
R3628.050	50	32	96	4	156000	310000
R3628.063	62	38	114	4	255000	430000
R3628.070	70	42	135	4	315000	540000
R3628.080	78	48	148	4	400000	695000
R3628.090	85	52	160	4	490000	750000
R3628.100	98	62	178	4	610000	1060000
R3628.110	105	62	190	4	655000	1200000
R3628.125	120	72	200	4	950000	1430000