

Clevis Joints

Overview

R3395-R3409



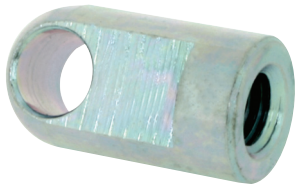
R3395-R3409 Clevis joints
Including Stainless Steel, plastic and turnbuckle versions



R3410-R3417 Male Clevis Joints



R3420-R3427 Mating pieces
For clevises
- Female



R3430 - R3431 Knuckle Eyes



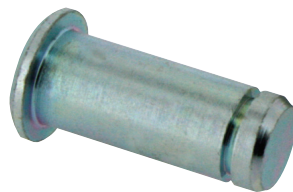
R3435-R3437 Clevis retention clips
Silver clear zinc plated or plastic.
Equivalent to ESM + ESML clips



R3440 Safety Fasteners
Equivalent to SLM fasteners. for use with
clevis pins and shafts



R3444 Safety Fasteners
Equivalent to KLM fasteners. for use with
clevis pins and shafts



R3450-R3454 Clevis pins
Equivalent to NBM pins. Used with
safety fasteners SLM + KLM

Clevis Joint Set-Up Options

Zinc plated steel



Clevis with R3435 – R3437 clevis retention clip.



Clevis with R3450 clevis pin and R3440 safety fastener



Clevis with R3450 clevis pins and R3447 circlip.

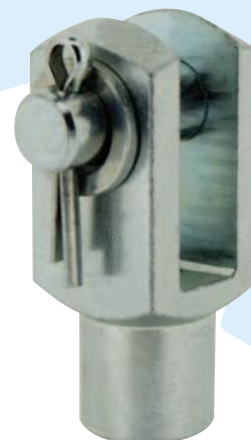


Clevis with clevis pin, washer and cotter pin (available on request).

Stainless Steel



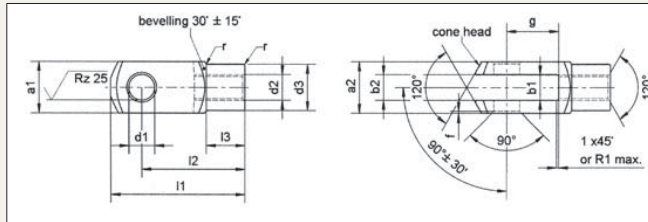
Clevis with R3454 clevis pin and R3447 circlips.



Clevis with **Stainless Steel** clevis pin, washer and cotter pin. (available on request).

Clevis Joints (GM & GML)

Clevis joints



R3395

Material

Steel 1.0718 (11SMnPb30k)
silver/clear zinc plated.

Technical Notes

M4-M16: DIN 71 752/DIN ISO 8140.

M18-M48: Similar to DIN 71 752/ DIN ISO 8140 and according to CETOP standard.

Tips

For yellow zinc plated version see R3398

Equivalent to GM+GML Springfix

joins.

Standard thread is Right hand. For Left hand, see R3396

Important Notes

For sizes M4-M12, f and r = 0,5.
For sizes M14-M16, f and r = 1
For sizes M18-M20, f=1, r = 1,5
For M24 f and r = 1,5
For sizes M27-M30, f = 1.5, r = 2
For M36 f = 2, r = 3
For sizes M42-M48, f = 3, r = 5
For r, radius or 45° bevelling at manufacturers choice.

Other Tolerances

a2: M4-M16 = +0,3 -0,16
M18-M48 = +0,5 -0,2
b2: size 4x8-10x20 = B13
All others +0,7 +0,15
d3: M4-M16 = ±0,3
l2: size 4x8-6x12 = ±0,3
All others ±0,4
l3: M4-M16 = ±0,2
M18-M48 = ±0,3
r: M18-M48 = ±0,5

Order No.	Size	d2	d1 H9	g ±0,5	a1 h11	a2	b1 B13	b2	d3	l1 ±0,5	l2	l3	g
R3395.R040	4x8	M4	4	8	8	8	4	4	8	21	16	6	5
R3395.R041	4x16	M4	4	16	8	8	4	4	8	29	24	6	7
R3395.R051	5x10	M5	5	10	10	10	5	5	9	26	20	7,5	9
R3395.R052	5x20	M5	5	20	10	10	5	5	9	36	30	7,5	13
R3395.R061	6x12	M6	6	12	12	12	6	6	10	31	24	9	15
R3395.R062	6x24	M6	6	24	12	12	6	6	10	43	36	9	21
R3395.R081	8x16	M8	8	16	16	16	8	8	14	42	32	12	37
R3395.R082	8x16	M8x1	8	16	16	16	8	8	14	42	32	12	37
R3395.R083	8x32	M8	8	32	16	16	8	8	14	58	48	12	54
R3395.R084	8x32	M8x1	8	32	16	16	8	8	14	58	48	12	54
R3395.R102	10x20	M10	10	20	20	20	10	10	18	52	40	15	74
R3395.R103	10x20	M10x1,25	10	20	20	20	10	10	18	52	40	15	74
R3395.R104	10x40	M10	10	40	20	20	10	10	18	72	60	15	116
R3395.R105	10x40	M10x1,25	10	40	20	20	10	10	18	72	60	15	116
R3395.R122	12x24	M12	12	24	24	24	12	12	20	62	48	18	121
R3395.R123	12x24	M12x1,25	12	24	24	24	12	12	20	62	48	18	121
R3395.R124	12x48	M12	12	48	24	24	12	12	20	86	72	18	175
R3395.R125	12x48	M12x1,25	12	48	24	24	12	12	20	86	72	18	175
R3395.R142	14x28	M14	14	28	27	27	14	14	24	72	56	22,5	178
R3395.R143	14x28	M14x1,5	14	28	27	27	14	14	24	72	56	22,5	178
R3395.R145	14x56	M14	14	56	27	27	14	14	24	101	85	22,5	258
R3395.R146	14x56	M14x1,5	14	56	27	27	14	14	24	101	85	22,5	258
R3395.R163	16x32	M16	16	32	32	32	16	16	26	83	64	24	282
R3395.R164	16x32	M16x1,5	16	32	32	32	16	16	26	83	64	24	282
R3395.R166	16x64	M16	16	64	32	32	16	16	26	115	96	24	411
R3395.R167	16x64	M16x1,5	16	64	32	32	16	16	26	115	96	24	411

Our linkages, your solution **01483 26 6784**

SPRINGFIX®
LINKAGES

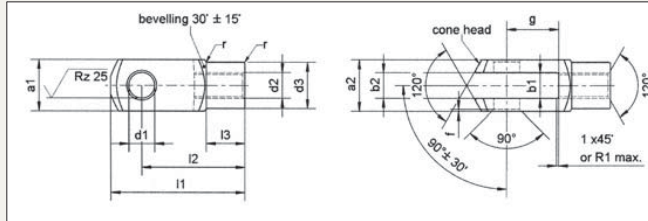
Clevis joints

Clevis Joints (GM & GML)

Order No.	Size	d2	d1 H9	g ±0,5	a1 h11	a2	b1 B13	b2	d3	l1 ±0,5	l2	l3	g
R3395.R183	18x36	M18	18	36	36	36	18	18	30	94	72	27	390
R3395.R184	18x36	M18x1,5	18	36	36	36	18	18	30	94	72	27	390
R3395.R204	20x40	M20	20	40	40	40	20	20	34	105	80	30	550
R3395.R205	20x40	M20x1,5	20	40	40	40	20	20	34	105	80	30	550
R3395.R208	20x80	M20	20	80	40	40	20	20	34	145	120	30	800
R3395.R209	20x80	M20x1,5	20	80	40	40	20	20	34	145	120	30	800
R3395.R255	25x50	M24	25	50	50	50	25	25	42	132	100	36	1100
R3395.R256	25x50	M24x2	25	50	50	50	25	25	42	132	100	36	1100
R3395.R285	28x56	M27	28	56	55	55	28	28	48	148	112	40	1500
R3395.R286	28x56	M27x2	28	56	55	55	28	28	48	148	112	40	1500
R3395.R305	30x54	M36x2	30	54	55	55	30	30	48	148	110	40	1440
R3395.R306	30x60	M30	30	60	60	60	30	30	52	160	120	42	1970
R3395.R307	30x60	M30x2	30	60	60	60	30	30	52	160	120	42	1970
R3395.R355	35x54	M36x2	35	54	70	70	35	35	60	188	144	54	2930
R3395.R357	35x72	M36	35	72	70	70	35	35	60	188	144	54	2930
R3395.R358	35x72	M36x2	35	72	70	70	35	35	60	188	144	54	2930
R3395.R367	36x72	M36	35	72	70	70	36	36	60	188	144	54	2930
R3395.R368	36x72	M36x2	35	72	70	70	36	36	60	188	144	54	2930
R3395.R408	40x84	M42x2	40	84	85	85	40	40	70	232	168	63,5	5640
R3395.R428	42x84	M42	42	84	85	85	42	42	70	232	168	63,5	5340
R3395.R429	42x84	M42	42	84	85	85	42	42	70	232	168	63,5	5340
R3395.R509	50x96	M48	50	96	96	96	50	50	82	265	192	73	7860
R3395.R510	50x96	M48x2	50	96	96	96	50	50	82	265	192	73	7860

Clevis Joints (GM & GML) left hand thread

Clevis joints



R3396

Material

Steel 1.0718 (11SMnPb30k)
silver/clear zinc plated.

Technical Notes

M4-M16: DIN 71 752/DIN ISO 8140.

M18-M48: Similar to DIN 71 752/ DIN ISO 8140 and according to CETOP standard.

Tips

For yellow zinc plated version see **R3399**

Equivalent to GM+GML Springfix

joints.

Important Notes

For sizes M4-M12, f and r = 0,5.
For sizes M14-M16, f and r = 1
For sizes M18-M20, f=1, r = 1,5
For M24 f and r = 1,5
For sizes M27-M30, f = 1.5, r = 2
For M36 f = 2, r = 3
For sizes M42-M48, f = 3, r = 5
For r, radius or 45° bevelling at manufacturers choice.

Other Tolerances

a2: M4-M16 = +0,3 -0,16
M18-M48 = +0,5 -0,2
b2: size 4x8-10x20 = B13
All others +0,7 +0,15
d3: M4-M16 = ±0,3
l2: size 4x8-6x12 = ±0,3
All others ±0,4
l3: M4-M16 = ±0,2
M18-M48 = ±0,3
r: M18-M48 = ±0,5

Order No.	Size	d2	d1 H9	g ±0,5	a1 h11	a2	b1 B13	b2	d3	l1 ±0,5	l2	l3	Δ _g g
R3396.L040	4x8	M4	4	8	8	8	4	4	8	21	16	6	5
R3396.L041	4x16	M4	4	16	8	8	4	4	8	29	24	6	7
R3396.L051	5x10	M5	5	10	10	10	5	5	9	26	20	7,5	9
R3396.L052	5x20	M5	5	20	10	10	5	5	9	36	30	7,5	13
R3396.L061	6x12	M6	6	12	12	12	6	6	10	31	24	9	15
R3396.L062	6x24	M6	6	24	12	12	6	6	10	43	36	9	21
R3396.L081	8x16	M8	8	16	16	16	8	8	14	42	32	12	37
R3396.L082	8x16	M8x1	8	16	16	16	8	8	14	42	32	12	37
R3396.L083	8x32	M8	8	32	16	16	8	8	14	58	48	12	54
R3396.L084	8x32	M8x1	8	32	16	16	8	8	14	58	48	12	54
R3396.L102	10x20	M10	10	20	20	20	10	10	18	52	40	15	74
R3396.L103	10x20	M10x1,25	10	20	20	20	10	10	18	52	40	15	74
R3396.L104	10x40	M10	10	40	20	20	10	10	18	72	60	15	116
R3396.L105	10x40	M10x1,25	10	40	20	20	10	10	18	72	60	15	116
R3396.L122	12x24	M12	12	24	24	24	12	12	20	62	48	18	121
R3396.L123	12x24	M12x1,25	12	24	24	24	12	12	20	62	48	18	121
R3396.L124	12x48	M12	12	48	24	24	12	12	20	86	72	18	175
R3396.L125	12x48	M12x1,25	12	48	24	24	12	12	20	86	72	18	175
R3396.L142	14x28	M14	14	28	27	27	14	14	24	72	56	22,5	178
R3396.L143	14x28	M14x1,5	14	28	27	27	14	14	24	72	56	22,5	178
R3396.L145	14x56	M14	14	56	27	27	14	14	24	101	85	22,5	258
R3396.L146	14x56	M14x1,5	14	56	27	27	14	14	24	101	85	22,5	258
R3396.L163	16x32	M16	16	32	32	32	16	16	26	83	64	24	282
R3396.L164	16x32	M16x1,5	16	32	32	32	16	16	26	83	64	24	282
R3396.L166	16x64	M16	16	64	32	32	16	16	26	115	96	24	411
R3396.L167	16x64	M16x1,5	16	64	32	32	16	16	26	115	96	24	411

Our linkages, your solution **01483 26 6784**

SPRINGFIX®
LINKAGES

Clevis joints

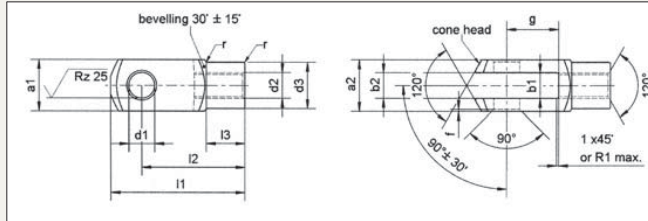
Clevis Joints (GM & GML)

left hand thread

Order No.	Size	d2	d1 H9	g ±0,5	a1 h11	a2	b1 B13	b2	d3	l1 ±0,5	l2	l3	g
R3396.L183	18x36	M18	18	36	36	36	18	18	30	94	72	27	390
R3396.L184	18x36	M18x1,5	18	36	36	36	18	18	30	94	72	27	390
R3396.L204	20x40	M20	20	40	40	40	20	20	34	105	80	30	550
R3396.L205	20x40	M20x1,5	20	40	40	40	20	20	34	105	80	30	550
R3396.L208	20x80	M20	20	80	40	40	20	20	34	145	120	30	800
R3396.L209	20x80	M20x1,5	20	80	40	40	20	20	34	145	120	30	800
R3396.L255	25x50	M24	25	50	50	50	25	25	42	132	100	36	1100
R3396.L256	25x50	M24x2	25	50	50	50	25	25	42	132	100	36	1100
R3396.L285	28x56	M27	28	56	55	55	28	28	48	148	112	40	1500
R3396.L286	28x56	M27x2	28	56	55	55	28	28	48	148	112	40	1500
R3396.L305	30x54	M36x2	30	54	55	55	30	30	48	148	110	40	1440
R3396.L306	30x60	M30	30	60	60	60	30	30	52	160	120	42	1970
R3396.L307	30x60	M30x2	30	60	60	60	30	30	52	160	120	42	1970
R3396.L355	35x54	M36x2	35	54	70	70	35	35	60	188	144	54	2930
R3396.L357	35x72	M36	35	72	70	70	35	35	60	188	144	54	2930
R3396.L358	35x72	M36x2	35	72	70	70	35	35	60	188	144	54	2930
R3396.L367	36x72	M36	35	72	70	70	36	36	60	188	144	54	2930
R3396.L368	36x72	M36x2	35	72	70	70	36	36	60	188	144	54	2930
R3396.L408	40x84	M42x2	40	84	85	85	40	40	70	232	168	63,5	5640
R3396.L428	42x84	M42	42	84	85	85	42	42	70	232	168	63,5	5340
R3396.L429	42x84	M42	42	84	85	85	42	42	70	232	168	63,5	5340
R3396.L509	50x96	M48	50	96	96	96	50	50	82	265	192	73	7860
R3396.L510	50x96	M48x2	50	96	96	96	50	50	82	265	192	73	7860

Clevis Joints (GM & GML) yellow zinc plated

Clevis joints



R3398

Material

Steel 1.0718 (11SMnPb30k)
Yellow zinc plated

Technical Notes

M4-M16: DIN 71 752/DIN ISO 8140.

M18-M48: Similar to DIN 71 752/ DIN ISO 8140 and according to CETOP standard.

Yellow zinc is not RoHS Compliant

Tips

For Stainless Steel, see **R3402**.

Equivalent to GM + GML springfix

joints.

Standard thread is Right hand. For Left hand, see **R3399**.

Important Notes

For sizes M4-M12, f and r = 0,5.
For sizes M14-M16, f and r = 1
For sizes M18-M20, f=1, r = 1,5
For M24 f and r = 1,5
For sizes M27-M30, f = 1.5, r = 2
For M36 f = 2, r = 3
For sizes M42-M48, f = 3, r = 5
For r, radius or 45° bevelling at manufacturers choice.

Other Tolerances

a2: M4-M16 = +0,3 -0,16
M18-M48 = +0,5 -0,2
b2: size 4x8-10x20 = B13
All others +0,7 +0,15
d3: M4-M16 = ±0,3
l2: size 4x8-6x12 = ±0,3
All others ±0,4
l3: M4-M16 = ±0,2
M18-M48 = ±0,3
r: M18-M48 = ±0,5

Order No.	Size	d2	d1 H9	g ± 0,5	a1 h11	a2	b1 B13	b2	d3	l1 ±0,5	l2	l3	g g
R3398.R040	4x8	M4	4	8	8	8	4	4	8	21	16	6	5
R3398.R041	4x16	M4	4	16	8	8	4	4	8	29	24	6	7
R3398.R051	5x10	M5	5	10	10	10	5	5	9	26	20	7,5	9
R3398.R052	5x20	M5	5	20	10	10	5	5	9	36	30	7,5	13
R3398.R061	6x12	M6	6	12	12	12	6	6	10	31	24	9	15
R3398.R062	6x24	M6	6	24	12	12	6	6	10	43	36	9	21
R3398.R081	8x16	M8	8	16	16	16	8	8	14	42	32	12	37
R3398.R082	8x16	M8x1	8	16	16	16	8	8	14	42	32	12	37
R3398.R083	8x32	M8	8	32	16	16	8	8	14	58	48	12	54
R3398.R084	8x32	M8x1	8	32	16	16	8	8	14	58	48	12	54
R3398.R102	10x20	M10	10	20	20	20	10	10	18	52	40	15	74
R3398.R103	10x20	M10x1,25	10	20	20	20	10	10	18	52	40	15	74
R3398.R104	10x40	M10	10	40	20	20	10	10	18	72	60	15	116
R3398.R105	10x40	M10x1,25	10	40	20	20	10	10	18	72	60	15	116
R3398.R122	12x24	M12	12	24	24	24	12	12	20	62	48	18	121
R3398.R123	12x24	M12x1,25	12	24	24	24	12	12	20	62	48	18	121
R3398.R124	12x48	M12	12	48	24	24	12	12	20	86	72	18	175
R3398.R125	12x48	M12x1,25	12	48	24	24	12	12	20	86	72	18	175
R3398.R142	14x28	M14	14	28	27	27	14	14	24	72	56	22,5	178
R3398.R143	14x28	M14x1,5	14	28	27	27	14	14	24	72	56	22,5	178
R3398.R145	14x56	M14	14	56	27	27	14	14	24	101	85	22,5	258
R3398.R146	14x56	M14x1,5	14	56	27	27	14	14	24	101	85	22,5	258
R3398.R163	16x32	M16	16	32	32	32	16	16	26	83	64	24	282
R3398.R164	16x32	M16x1,5	16	32	32	32	16	16	26	83	64	24	282

Our linkages, your solution **01483 26 6784**

SPRINGFIX®
LINKAGES

Clevis joints

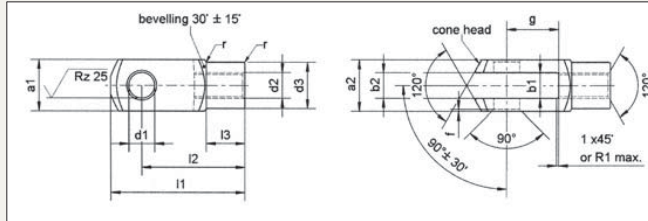
Clevis Joints (GM & GML)

yellow zinc plated

Order No.	Size	d2	d1 H9	g ±0,5	a1 h11	a2	b1 B13	b2	d3	l1 ±0,5	l2	l3	g
R3398.R166	16x64	M16	16	64	32	32	16	16	26	115	96	24	411
R3398.R167	16x64	M16x1,5	16	64	32	32	16	16	26	115	96	24	411
R3398.R183	18x36	M18	18	36	36	36	18	18	30	94	72	27	390
R3398.R184	18x36	M18x1,5	18	36	36	36	18	18	30	94	72	27	390
R3398.R204	20x40	M20	20	40	40	40	20	20	34	105	80	30	550
R3398.R205	20x40	M20x1,5	20	40	40	40	20	20	34	105	80	30	550
R3398.R208	20x80	M20	20	80	40	40	20	20	34	145	120	30	800
R3398.R209	20x80	M20x1,5	20	80	40	40	20	20	34	145	120	30	800
R3398.R255	25x50	M24	25	50	50	50	25	25	42	132	100	36	1100
R3398.R256	25x50	M24x2	25	50	50	50	25	25	42	132	100	36	1100
R3398.R285	28x56	M27	28	56	55	55	28	28	48	148	112	40	1500
R3398.R286	28x56	M27x2	28	56	55	55	28	28	48	148	112	40	1500
R3398.R305	30x54	M36x2	30	54	55	55	30	30	48	148	110	40	1440
R3398.R306	30x60	M30	30	60	60	60	30	30	52	160	120	42	1970
R3398.R307	30x60	M30x2	30	60	60	60	30	30	52	160	120	42	1970
R3398.R355	35x54	M36x2	35	54	70	70	35	35	60	188	144	54	2930
R3398.R357	35x72	M36	35	72	70	70	35	35	60	188	144	54	2930
R3398.R358	35x72	M36x2	35	72	70	70	35	35	60	188	144	54	2930
R3398.R367	36x72	M36	35	72	70	70	36	36	60	188	144	54	2930
R3398.R368	36x72	M36x2	35	72	70	70	36	36	60	188	144	54	2930
R3398.R408	40x84	M42x2	40	84	85	85	40	40	70	232	168	63,5	5640
R3398.R428	42x84	M42	42	84	85	85	42	42	70	232	168	63,5	5340
R3398.R429	42x84	M42	42	84	85	85	42	42	70	232	168	63,5	5340
R3398.R509	50x96	M48	50	96	96	96	50	50	82	265	192	73	7860
R3398.R510	50x96	M48x2	50	96	96	96	50	50	82	265	192	73	7860

Clevis Joints (GM & GML) yellow zinc plated - left hand thread

Clevis joints



R3399

Material

Steel 1.0718 (11SMnPb30k)
Yellow zinc plated

Technical Notes

M4-M16: DIN 71 752/DIN ISO 8140.

M18-M48: Similar to DIN 71 752/ DIN ISO 8140 and according to CETOP standard.

Yellow zinc is not RoHS Compliant

Tips

For Stainless Steel, see **R3403**.

Equivalent to GM+GML Springfix joints.

Important Notes

For sizes M4-M12, f and r = 0,5.
For sizes M14-M16, f and r = 1
For sizes M18-M20, f = 1, r = 1,5
For M24 f and r = 1,5
For sizes M27-M30, f = 1.5, r = 2
For M36 f = 2, r = 3
For sizes M42-M48, f = 3, r = 5
For r, radius or 45° beveling at manufacturers choice.

Other Tolerances

a2: M4-M16 = +0,3 -0,16
M18-M48 = +0,5 -0,2
b2: size 4x8-10x20 = B13
All others +0,7 +0,15
d3: M4-M16 = ±0,3
l2: size 4x8-6x12 = ±0,3
All others ±0,4
l3: M4-M16 = ±0,2
M18-M48 = ±0,3
r: M18-M48 = ±0,5

Order No.	Size	d2	d1 H9	g ±0,5	a1 h11	a2	b1 B13	b2	d3	l1 ±0,5	l2	l3	Δ _g g
R3399.L040	4x8	M4	4	8	8	8	4	4	8	21	16	6	5
R3399.L041	4x16	M4	4	16	8	8	4	4	8	29	24	6	7
R3399.L051	5x10	M5	5	10	10	10	5	5	9	26	20	7,5	9
R3399.L052	5x20	M5	5	20	10	10	5	5	9	36	30	7,5	13
R3399.L061	6x12	M6	6	12	12	12	6	6	10	31	24	9	15
R3399.L062	6x24	M6	6	24	12	12	6	6	10	43	36	9	21
R3399.L081	8x16	M8	8	16	16	16	8	8	14	42	32	12	37
R3399.L082	8x16	M8x1	8	16	16	16	8	8	14	42	32	12	37
R3399.L083	8x32	M8	8	32	16	16	8	8	14	58	48	12	54
R3399.L084	8x32	M8x1	8	32	16	16	8	8	14	58	48	12	54
R3399.L102	10x20	M10	10	20	20	20	10	10	18	52	40	15	74
R3399.L103	10x20	M10x1,25	10	20	20	20	10	10	18	52	40	15	74
R3399.L104	10x40	M10	10	40	20	20	10	10	18	72	60	15	116
R3399.L105	10x40	M10x1,25	10	40	20	20	10	10	18	72	60	15	116
R3399.L122	12x24	M12	12	24	24	24	12	12	20	62	48	18	121
R3399.L123	12x24	M12x1,25	12	24	24	24	12	12	20	62	48	18	121
R3399.L124	12x48	M12	12	48	24	24	12	12	20	86	72	18	175
R3399.L125	12x48	M12x1,25	12	48	24	24	12	12	20	86	72	18	175
R3399.L142	14x28	M14	14	28	27	27	14	14	24	72	56	22,5	178
R3399.L143	14x28	M14x1,5	14	28	27	27	14	14	24	72	56	22,5	178
R3399.L145	14x56	M14	14	56	27	27	14	14	24	101	85	22,5	258
R3399.L146	14x56	M14x1,5	14	56	27	27	14	14	24	101	85	22,5	258
R3399.L163	16x32	M16	16	32	32	32	16	16	26	83	64	24	282
R3399.L164	16x32	M16x1,5	16	32	32	32	16	16	26	83	64	24	282
R3399.L166	16x64	M16	16	64	32	32	16	16	26	115	96	24	411

Our linkages, your solution **01483 26 6784**

SPRINGFIX®
LINKAGES

Clevis joints

Clevis Joints (GM & GML)

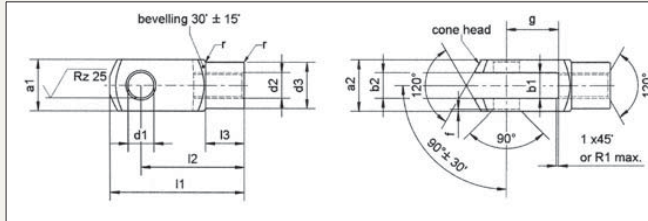
yellow zinc plated - left hand thread

Order No.	Size	d2	d1 H9	g ±0,5	a1 h11	a2	b1 B13	b2	d3	l1 ±0,5	l2	l3	g
R3399.L167	16x64	M16x1,5	16	64	32	32	16	16	26	115	96	24	411
R3399.L183	18x36	M18	18	36	36	36	18	18	30	94	72	27	390
R3399.L184	18x36	M18x1,5	18	36	36	36	18	18	30	94	72	27	390
R3399.L204	20x40	M20	20	40	40	40	20	20	34	105	80	30	550
R3399.L205	20x40	M20x1,5	20	40	40	40	20	20	34	105	80	30	550
R3399.L208	20x80	M20	20	80	40	40	20	20	34	145	120	30	800
R3399.L209	20x80	M20x1,5	20	80	40	40	20	20	34	145	120	30	800
R3399.L255	25x50	M24	25	50	50	50	25	25	42	132	100	36	1100
R3399.L256	25x50	M24x2	25	50	50	50	25	25	42	132	100	36	1100
R3399.L285	28x56	M27	28	56	55	55	28	28	48	148	112	40	1500
R3399.L286	28x56	M27x2	28	56	55	55	28	28	48	148	112	40	1500
R3399.L305	30x54	M36x2	30	54	55	55	30	30	48	148	110	40	1440
R3399.L306	30x60	M30	30	60	60	60	30	30	52	160	120	42	1970
R3399.L307	30x60	M30x2	30	60	60	60	30	30	52	160	120	42	1970
R3399.L355	35x54	M36x2	35	54	70	70	35	35	60	188	144	54	2930
R3399.L357	35x72	M36	35	72	70	70	35	35	60	188	144	54	2930
R3399.L358	35x72	M36x2	35	72	70	70	35	35	60	188	144	54	2930
R3399.L367	36x72	M36	35	72	70	70	36	36	60	188	144	54	2930
R3399.L368	36x72	M36x2	35	72	70	70	36	36	60	188	144	54	2930
R3399.L408	40x84	M42x2	40	84	85	85	40	40	70	232	168	63,5	5640
R3399.L428	42x84	M42	42	84	85	85	42	42	70	232	168	63,5	5340
R3399.L429	42x84	M42	42	84	85	85	42	42	70	232	168	63,5	5340
R3399.L509	50x96	M48	50	96	96	96	50	50	82	265	192	73	7860
R3399.L510	50x96	M48x2	50	96	96	96	50	50	82	265	192	73	7860

Clevis joints

Clevis Joints (GM & GML)

Stainless Steel



R3402

Material

Stainless Steel 1.4305 AISI 303
(X8CrNiS18-9)

Technical Notes

M4-M16: DIN 71 752/DIN ISO 8140.

M20-M27: Similar to DIN 71 752 and according to CETOP standard.

Tips

For Aluminium clevises, see **R3406**
Equivalent to **GM + GML Springfix**

joins.

Standard thread is Right hand. For Left hand, see **R3403**.

Important Notes

For sizes M4-M12, f and r = 0,5

For sizes M14-M16, f and r = 1

For size M20, f=1, r = 1,5

For M24, f and r = 1,5

For M27, f=1,5, r = 2

For r, radius or 45° beveling at

manufacturers choice.

Other Tolerances

a2: M4-M16 = +0,3 -0,16

M20-M27 = +0,5 - 0,2

b2: Size 4x8-10x20 = B13

Size 10x40-30x54 = +0,7 +0,15

l2: up to size 6x12 = ±0.3.

From size 6x24 = ±0.4

Order No.	Size	d2	d1 H9	g ±0.5	a1 h11	a2 +0.30 -0.16	b1 B13	b2	d3 ±0.3	l1 ±0.5	l2	l3 ±0.2	g _g
R3402.R040	4x8	M4	4	8	8	8	4	4	8	21	16	6	5
R3402.R041	4x16	M4	4	16	8	8	4	4	8	29	24	6	7
R3402.R051	5x10	M5	5	10	10	10	5	5	9	26	20	7,5	9
R3402.R052	5x20	M5	5	20	10	10	5	5	9	36	30	7,5	13
R3402.R061	6x12	M6	6	12	12	12	6	6	10	31	24	9	15
R3402.R062	6x24	M6	6	24	12	12	6	6	10	43	36	9	21
R3402.R081	8x16	M8	8	16	16	16	8	8	14	42	32	12	37
R3402.R082	8x16	M8x1	8	16	16	16	8	8	14	42	32	12	37
R3402.R083	8x32	M8	8	32	16	16	8	8	14	58	48	12	54
R3402.R084	8x32	M8x1	8	32	16	16	8	8	14	58	48	12	54
R3402.R102	10x20	M10	10	20	20	20	10	10	18	52	40	15	74
R3402.R103	10x20	M10x1,25	10	20	20	20	10	10	18	52	40	15	74
R3402.R104	10x40	M10	10	40	20	20	10	10	18	72	60	15	116
R3402.R105	10x40	M10x1,25	10	40	20	20	10	10	18	72	60	15	116
R3402.R122	12x24	M12	12	24	24	24	12	12	20	62	48	18	121
R3402.R123	12x24	M12x1,25	12	24	24	24	12	12	20	62	48	18	121
R3402.R124	12x48	M12	12	48	24	24	12	12	20	86	72	18	175
R3402.R125	12x48	M12x1,25	12	48	24	24	12	12	20	86	72	18	175
R3402.R142	14x28	M14	14	28	27	27	14	14	24	72	56	22,5	178
R3402.R143	14x28	M14x1,5	14	28	27	27	14	14	24	72	56	22,5	178
R3402.R145	14x56	M14	14	56	27	27	14	14	24	101	85	22,5	258
R3402.R146	14x56	M14x1,5	14	56	27	27	14	14	24	101	85	22,5	258
R3402.R163	16x32	M16	16	32	32	32	16	16	26	83	64	24	282
R3402.R164	16x32	M16x1,5	16	32	32	32	16	16	26	83	64	24	282
R3402.R166	16x64	M16	16	64	32	32	16	16	26	115	96	24	411
R3402.R167	16x64	M16x1,5	16	64	32	32	16	16	26	115	96	24	411

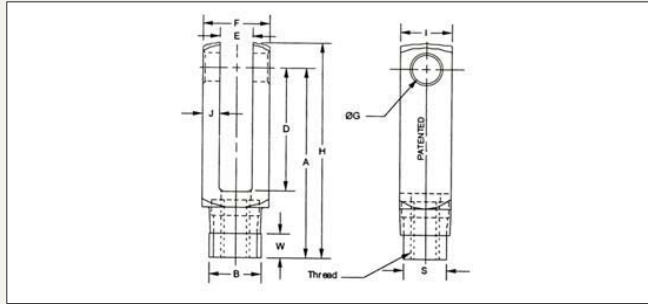
Clevis Joints (GM & GML)
Stainless Steel

Clevis joints

Order No.	Size	d2	d1 H9	g ±0.5	a1 h11	a2 +0.30 -0.16	b1 B13	b2	d3 ±0.3	l1 ±0.5	l2	l3 ±0.2	W g
R3402.R204	20x40	M20	20	40	40	40	20	20	34	105	80	30	550
R3402.R205	20x40	M20x1,5	20	40	40	40	20	20	34	105	80	30	550
R3402.R255	25x50	M24	25	50	50	50	25	25	42	132	100	36	1100
R3402.R256	25x50	M24x2	25	50	50	50	25	25	42	132	100	36	1100
R3402.R305	30x54	M27x2	30	54	55	55	30	30	48	148	110	40	1440

Turnbuckle Clevis

Clevis joints



R3408

Material
Yellow zinc plated steel. (1018)

need for left hand threads and allows adjustment after installation without removing the clevis pin and clip.

Important Notes
Yellow zinc is not RoHS compliant.

Technical Notes
This series features a patented spinning barrel which eliminates the

Standard thread is right hand thread.

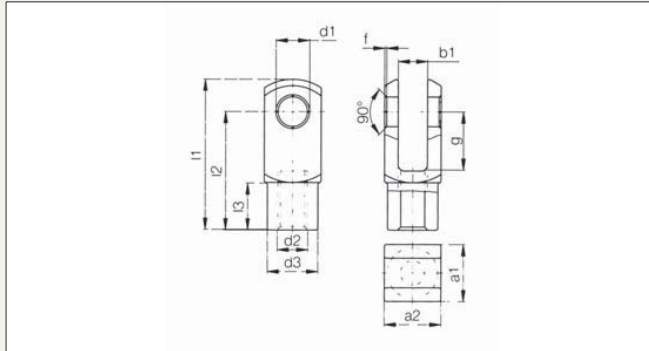
Order No.	Size	Thread	A	B	D	E	F	G	H	I	J	S	W
R3408.R052	5x20	M5	30	9	20	5	10	5	36	10	2,5	8	3,75
R3408.R062	6x24	M6	36	10	24	6	12	6	43	12	3,0	8	4,00
R3408.R081	8x16	M8	32	14	16	8	16	8	42	16	4,0	13	6,00
R3408.R083	8x32	M8	48	14	32	8	16	8	58	16	4,0	13	6,00
R3408.R102	10x20	M10	40	18	20	10	20	10	52	20	5,0	16	9,00
R3408.R104	10x40	M10	60	18	40	10	20	10	72	20	5,0	16	9,00
R3408.R122	12x24	M12	48	20	24	12	24	12	62	24	6,0	18	11,50
R3408.R124	12x48	M12	72	20	48	12	24	12	86	24	6,0	18	11,50
R3408.R163	16x32	M16	64	26	32	16	32	16	83	32	8,0	24	15,00
R3408.R166	16x64	M16	96	26	64	16	32	16	115	32	8,0	24	15,00

Clevis joints

Plastic Clevis Joints



R3409



Material
Igumid G Plastic - Black

Technical Notes
Light weight.
Universal corrosion resistance.
High tensile strength.

Can be used in conjunction with rod ends [R3582](#) and [R3583](#).
Vibration and noise dampening.

Tips
Standard thread is Right hand thread.

Important Notes
For pins + clips, see [R3453](#) and [R3446](#).
See next page for load ratings.

Plastic Clevis Joints

Clevis joints

Order No.	Size	d2 6H	Thread (hand)	d1 H9	g h11	a1	a2 +0.3 -0.16	b1 B13	d3 +0.3 -0.3	$\frac{d3}{g}$ 9
R3409.R040	4x8	M3,5	Right	4	8	8	8	4	8,0	0,8
R3409.R041	4x8	M4	Right	4	8	8	8	4	8,0	0,8
R3409.R042	5x10	M4	Right	5	10	10	10	5	9,0	1,5
R3409.R051	5x10	M5	Right	5	10	10	10	5	9,0	1,5
R3409.R052	5x12	M5	Right	5	12	12	12	6	10,0	2,7
R3409.R061	6x12	M6	Right	6	12	12	12	6	10,0	2,7
R3409.R081	8x16	M8	Right	8	16	16	16	8	14,0	6,3
R3409.R102	10x20	M10	Right	10	20	20	20	10	18,0	13,1
R3409.R103	10x20	M10x1,25	Right	10	20	20	20	10	18,0	13,1
R3409.R122	12x24	M12	Right	12	24	24	24	12	20,0	20,2
R3409.R123	12x24	M12x1,25	Right	12	24	24	24	12	20,0	20,2
R3409.R142	14x28	M14	Right	14	28	27	27	14	24,0	29,6
R3409.R152	15x28	M14	Right	15	28	27	27	14	24,0	30,0
R3409.R163	16x32	M16	Right	16	32	32	32	16	26,0	43,3
R3409.R164	16x32	M16x1,5	Right	16	32	32	32	16	26,0	43,3
R3409.R173	17x32	M16	Right	17	32	32	32	16	26,0	43,3
R3409.R174	17x32	M16x1,5	Right	17	32	32	32	16	26,0	43,3
R3409.R204	20x40	M20x1,5	Right	20	40	40	40	20	34,0	95,1
R3409.R205	20x40	M20x2,5	Right	20	40	40	40	20	34,0	95,1
R3409.L040	4x8	M3,5	Left	4	8	8	8	4	8,0	0,8
R3409.L041	4x8	M4	Left	4	8	8	8	4	8,0	0,8
R3409.L042	5x10	M4	Left	5	10	10	10	5	9,0	1,5
R3409.L051	5x10	M5	Left	5	10	10	10	5	9,0	1,5
R3409.L052	5x12	M5	Left	5	12	12	12	6	10,0	2,7
R3409.L061	6x12	M6	Left	6	12	12	12	6	10,0	2,7
R3409.L081	8x16	M8	Left	8	16	16	16	8	14,0	6,3
R3409.L102	10x20	M10	Left	10	20	20	20	10	18,0	13,1
R3409.L103	10x20	M10x1,25	Left	10	20	20	20	10	18,0	13,1
R3409.L122	12x24	M12	Left	12	24	24	24	12	20,0	20,2
R3409.L123	12x24	M12x1,25	Left	12	24	24	24	12	20,0	20,2
R3409.L142	14x28	M14	Left	14	28	27	27	14	24,0	29,6
R3409.L152	15x28	M14	Left	15	28	27	27	14	24,0	30,0
R3409.L163	16x32	M16	Left	16	32	32	32	16	26,0	43,3
R3409.L164	16x32	M16x1,5	Left	16	32	32	32	16	26,0	43,3
R3409.L173	17x32	M16	Left	17	32	32	32	16	26,0	43,3
R3409.L174	17x32	M16x1,5	Left	17	32	32	32	16	26,0	43,3
R3409.L204	20x40	M20x1,5	Left	20	40	40	40	20	34,0	95,1
R3409.L205	20x40	M20x2,5	Left	20	40	40	40	20	34,0	95,1

Order No.	f +0.3 -0.3	l1 +0.5 -0.5	l2 +0.3 -0.3	l3 +0.2 -0.2	Max Static Axial Tensile Strength Short term (N)	Max Static Axial Tensile Strength Long term (N)
R3409.R040	0,5	21,0	16,0	6,0	650	325
R3409.R041	0,5	21,0	16,0	6,0	650	325
R3409.R042	0,5	25,5	20,0	7,5	1000	500
R3409.R051	0,5	25,5	20,0	7,5	1000	500
R3409.R052	0,5	30,6	24,0	9,0	1200	600
R3409.R061	0,5	30,6	24,0	9,0	1400	700
R3409.R081	0,5	41,6	32,0	12,0	2700	1350
R3409.R102	0,5	51,3	40,0	15,0	4700	2350
R3409.R103	0,5	51,3	40,0	15,0	4700	2350
R3409.R122	0,5	61,3	48,0	18,0	5700	2850
R3409.R123	0,5	61,3	48,0	18,0	5700	2850
R3409.R142	0,5	71,3	56,0	22,5	6600	3300
R3409.R152	0,5	71,3	56,0	22,5	3200	1600

Our linkages, your solution **01483 26 6784**

SPRINGFIX®
LINKAGES

15

Clevis joints

Plastic Clevis Joints

Order No.	f +0.3 -0.3	l1 +0.5 -0.5	l2 +0.3 -0.3	l3 +0.2 -0.2	Max Static Axial Tensile Strength Short term (N)	Max Static Axial Tensile Strength Long term (N)
R3409.R163	1	81,9	64,0	24,0	7500	3750
R3409.R164	1	81,9	64,0	24,0	7500	3750
R3409.R173	1	81,9	64,0	24,0	3600	1800
R3409.R174	1	83,0	64,0	24,0	3600	1800
R3409.R204	1	105,0	80,0	30,0	9500	4750
R3409.R205	1	105,0	80,0	30,0	9500	4750
R3409.L040	0,5	21,0	16,0	6,0	650	325
R3409.L041	0,5	21,0	16,0	6,0	650	325
R3409.L042	0,5	25,5	20,0	7,5	1000	500
R3409.L051	0,5	25,5	20,0	7,5	1000	500
R3409.L052	0,5	30,6	24,0	9,0	1200	600
R3409.L061	0,5	30,6	24,0	9,0	1400	700
R3409.L081	0,5	41,6	32,0	12,0	2700	1350
R3409.L102	0,5	51,3	40,0	15,0	4700	2350
R3409.L103	0,5	51,3	40,0	15,0	4700	2350
R3409.L122	0,5	61,3	48,0	18,0	5700	2850
R3409.L123	0,5	61,3	48,0	18,0	5700	2850
R3409.L142	0,5	71,3	56,0	22,5	6600	3300
R3409.L152	0,5	71,3	56,0	22,5	3200	1600
R3409.L163	1	81,9	64,0	24,0	7500	3750
R3409.L164	1	81,9	64,0	24,0	7500	3750
R3409.L173	1	83,0	64,0	24,0	3600	1800
R3409.L174	1	83,0	64,0	24,0	3600	1800
R3409.L204	1	105,0	80,0	30,0	9500	4750
R3409.L205	1	105,0	80,0	30,0	9500	4750