

Clevis Joints

Overview

R3395-R3409



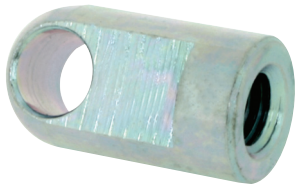
R3395-R3409 Clevis joints
Including Stainless Steel, plastic and turnbuckle versions



R3410-R3417 Male Clevis Joints



R3420-R3427 Mating pieces
For clevises
- Female



R3430 - R3431 Knuckle Eyes



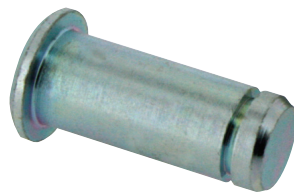
R3435-R3437 Clevis retention clips
Silver clear zinc plated or plastic.
Equivalent to ESM + ESML clips



R3440 Safety Fasteners
Equivalent to SLM fasteners. for use with
clevis pins and shafts



R3444 Safety Fasteners
Equivalent to KLM fasteners. for use with
clevis pins and shafts



R3450-R3454 Clevis pins
Equivalent to NBM pins. Used with
safety fasteners SLM + KLM

Clevis Joint Set-Up Options

Zinc plated steel



Clevis with R3435 – R3437 clevis retention clip.



Clevis with R3450 clevis pin and R3440 safety fastener



Clevis with R3450 clevis pins and R3447 circlip.

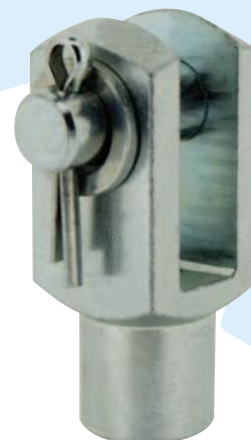


Clevis with clevis pin, washer and cotter pin (available on request).

Stainless Steel



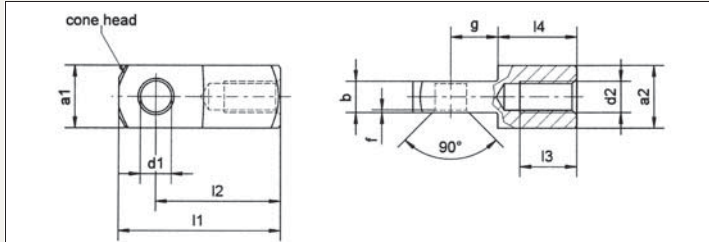
Clevis with R3454 clevis pin and R3447 circlips.



Clevis with **Stainless Steel** clevis pin, washer and cotter pin. (available on request).

Mating Piece for Clevises - Female

Clevis
mating



R3420

y

Material
Steel (1.0718)
Silver/clear zinc plated

Tips
For yellow zinc plated version see
[R3423](#)

Standard thread is right hand. For left
hand thread, see [R3421](#)

Order No.	d1 H9	d2	b -0.2	a1 h11	a2 h11	l1 ±0.5	l2 ±0.3	l3	l4 ±0.2	g ±0.5	f ±0.2	±0.3 g
R3420.R004	4	M4	4	8	8	21	16	6	10	6	0.5	6
R3420.R005	5	M5	5	10	10	26	20	8	12,5	7,5	0.5	12
R3420.R006	6	M6	6	12	12	31	24	11	15	9	0.5	21
R3420.R008	8	M8	8	16	16	42	32	14	20	12	0.5	51
R3420.R009	8	M8x1	8	16	16	42	32	14	20	12	0.5	51
R3420.R010	10	M10	10	20	20	52	40	18	25	15	0.5	98
R3420.R011	10	M10x1,25	10	20	20	52	40	18	25	15	0.5	98
R3420.R012	12	M12	12	24	24	62	48	22	30	18	0.5	168
R3420.R013	12	M12x1,25	12	24	24	62	48	22	30	18	0.5	167
R3420.R014	12	M14	14	27	27	72	56	25	35	21	1	247
R3420.R015	14	M14x1,5	14	27	27	72	56	25	35	21	1	245
R3420.R016	16	M16	16	32	32	83	64	30	40	24	1	397
R3420.R017	16	M16x1,5	16	32	32	83	64	30	40	24	1	395
R3420.R020	20	M20	20	40	40	105	80	38	50	30	1	783
R3420.R021	20	M20x1,5	20	40	40	105	80	38	50	30	1	776

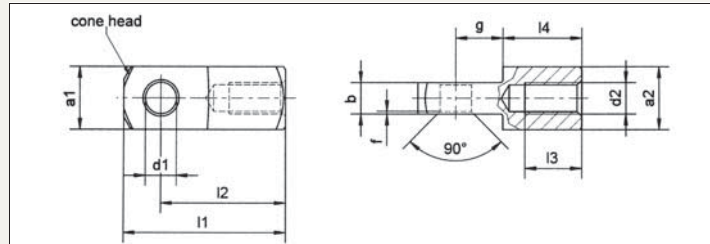
Our linkages, your solution 01483 26 6784

SPRINGFIX®
LINKAGES

1

Clevis mating

Mating Piece for Clevises - Female left hand thread



R3421

y

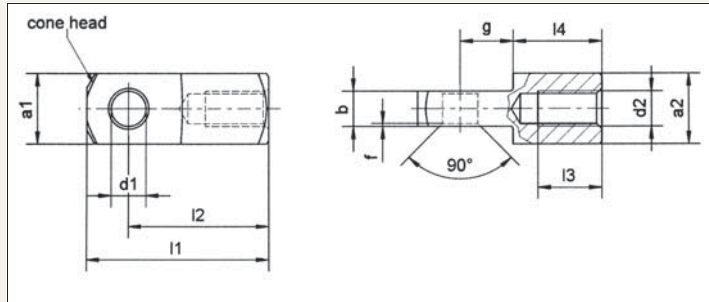
Material
Steel (1.0718)
Silver/clear zinc plated

Tips
For yellow zinc plated version see
[R3424](#)

Order No.	d1 H9	d2	b -0.2	a1 h11	a2 h11	l1 ±0.5	l2 ±0.3	l3	l4 ±0.2	g ±0.5	f ±0.2	$\frac{\Delta}{\Delta}$ g
R3421.L004	4	M4	4	8	8	21	16	6	10	6	0,5	6
R3421.L005	5	M5	5	10	10	26	20	8	12,5	7,5	0,5	12
R3421.L006	6	M6	6	12	12	31	24	11	15	9	0,5	21
R3421.L008	8	M8	8	16	16	42	32	14	20	12	0,5	51
R3421.L009	8	M8x1	8	16	16	42	32	14	20	12	0,5	51
R3421.L010	10	M10	10	20	20	52	40	18	25	15	0,5	98
R3421.L011	10	M10x1,25	10	20	20	52	40	18	25	15	0,5	98
R3421.L012	12	M12	12	24	24	62	48	22	30	18	0,5	168
R3421.L013	12	M12x1,25	12	24	24	62	48	22	30	18	0,5	167
R3421.L014	14	M14	14	27	27	72	56	25	35	21	1	247
R3421.L015	14	M14x1,5	14	27	27	72	56	25	35	21	1	245
R3421.L016	16	M16	16	32	32	83	64	30	40	24	1	397
R3421.L017	16	M16x1,5	16	32	32	83	64	30	40	24	1	395
R3421.L020	20	M20	20	40	40	105	80	38	50	30	1	783
R3421.L021	20	M20x1,5	20	40	40	105	80	38	50	30	1	776

Mating Piece for Clevises - Female yellow zinc

Clevis
mating



R3423

y

Material
Steel (1.0718)
Yellow zinc plated

Technical Notes
Yellow zinc is not RoHS
Compliant

Tips
For stainless steel see [R3426](#)
Standard is Right hand thread. For Left
hand thread see [R3424](#).

Order No.	d1 H9	d2	b -0.2	a1 h11	a2 H11	l1 ±0.5	l2 ±0.3	l3	l4 ±0.2	g ±0.5	f ±0.2	±0.1 g
R3423.R004	4	M4	4	8	8	21	16	6	10	6	0,5	6
R3423.R005	5	M5	5	10	10	26	20	8	12,5	7,5	0,5	12
R3423.R006	6	M6	6	12	12	31	24	11	15	9	0,5	21
R3423.R008	8	M8	8	16	16	42	32	14	20	12	0,5	51
R3423.R009	8	M8x1	8	16	16	42	32	14	20	12	0,5	51
R3423.R010	10	M10	10	20	20	52	40	18	25	15	0,5	98
R3423.R011	10	M10x1,25	10	20	20	52	40	18	25	15	0,5	98
R3423.R012	12	M12	12	24	24	62	48	22	30	18	0,5	168
R3423.R013	12	M12x1,25	12	24	24	62	48	22	30	18	0,5	167
R3423.R014	14	M14	14	27	27	72	56	25	35	21	1	247
R3423.R015	14	M14x1,5	14	27	27	72	56	25	35	21	1	245
R3423.R016	16	M16	16	32	32	83	64	30	40	24	1	397
R3423.R017	16	M16x1,5	16	32	32	83	64	30	40	24	1	395
R3423.R020	20	M20	20	40	40	105	80	38	50	30	1	783
R3423.R021	20	M20x1,5	20	40	40	105	80	38	50	30	1	776

Our linkages, your solution 01483 26 6784

SPRINGFIX®
LINKAGES

3

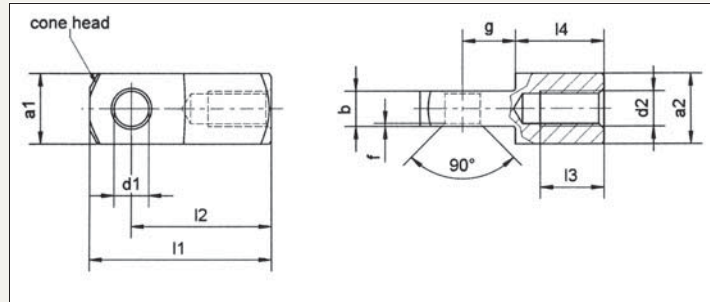
Clevis mating

Mating Piece for Clevises - Female yellow zinc - left hand thread



R3424

y



Material
Steel (1.0718)
Yellow zinc plated

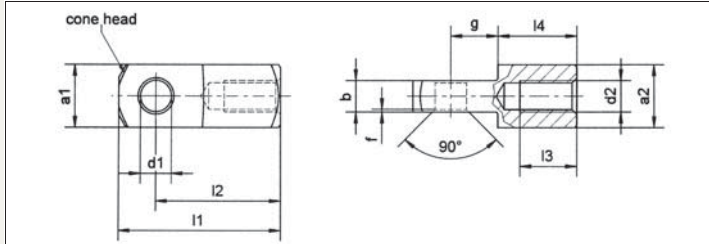
Technical Notes
Yellow zinc is not RoHS
Compliant

Tips
For stainless steel see R3427

Order No.	d1 H9	d2	b -0.2	a1 h11	a2 h11	l1 ±0.5	l2 ±0.3	l3	l4 ±0.2	g ±0.5	f ±0.2	Δ_{\pm} g
R3424.L004	4	M4	4	8	8	21	16	6	10	6	0,5	6
R3424.L005	5	M5	5	10	10	26	20	8	12,5	7,5	0,5	12
R3424.L006	6	M6	6	12	12	31	24	11	15	9	0,5	21
R3424.L008	8	M8	8	16	16	42	32	14	20	12	0,5	51
R3424.L009	8	M8x1	8	16	16	42	32	14	20	12	0,5	51
R3424.L010	10	M10	10	20	20	52	40	18	25	15	0,5	98
R3424.L011	10	M10x1,25	10	20	20	52	40	18	25	15	0,5	98
R3424.L012	12	M12	12	24	24	62	48	22	30	18	0,5	168
R3424.L013	12	M12x1,25	12	24	24	62	48	22	30	18	0,5	167
R3424.L014	14	M14	14	27	27	72	56	25	35	21	1	247
R3424.L015	14	M14x1,5	14	27	27	72	56	25	35	21	1	245
R3424.L016	16	M16	16	32	32	83	64	30	40	24	1	397
R3424.L017	16	M16x1,5	16	32	32	83	64	30	40	24	1	395
R3424.L020	20	M20	20	40	40	105	80	38	50	30	1	783
R3424.L021	20	M20x1,5	20	40	40	105	80	38	50	30	1	776

Mating Piece for Clevises - Female Stainless Steel

Clevis
mating



R3426

y

Material
Stainless Steel (1.4305) AISI 303

Tips
Standard thread is right hand. For left
hand thread see [R3427](#)

Order No.	d1 H9	d2	b -0.2	a1 h11	a2 h11	l1 ±0.5	l2 ±0.3	l3	l4 ±0.2	g ±0.5	f ±0.2	±0.3 g
R3426.R004	4	M4	4	8	8	21	16	6	10	6	0,5	6
R3426.R005	5	M5	5	10	10	26	20	8	10	6	0,5	12
R3426.R006	6	M6	6	12	12	31	24	11	15	9	0,5	21
R3426.R008	8	M8	8	16	16	42	32	14	20	12	0,5	51
R3426.R009	8	M8x1	8	16	16	42	32	14	20	12	0,5	51
R3426.R010	10	M10	10	20	20	52	40	18	25	15	0,5	98
R3426.R011	10	M10x1,25	10	20	20	52	40	18	25	15	0,5	98
R3426.R012	12	M12	12	24	24	62	48	22	30	18	0,5	168
R3426.R013	12	M12x1,25	12	24	24	62	48	22	30	18	0,5	167
R3426.R014	14	M14	14	27	27	72	56	25	35	21	1	247
R3426.R015	14	M14x1,5	14	27	27	72	56	25	35	21	1	245
R3426.R016	16	M16	16	32	32	83	64	30	40	24	1	397
R3426.R017	16	M16x1,5	16	32	32	83	64	30	40	24	1	395
R3426.R020	20	M20	20	40	40	105	80	38	50	30	1	783
R3426.R021	20	M20x1,5	20	40	40	105	80	38	50	30	1	776

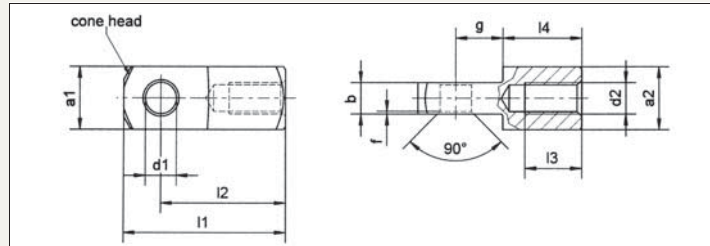
Our linkages, your solution 01483 26 6784

SPRINGFIX®
LINKAGES

5

Clevis mating

Mating piece for Clevises - Female Stainless Steel -left hand thread



R3427

y

Material

Stainless Steel (1.4305) AISI 303

Order No.	d1 H9	d2	b -0.2	a1 h11	a2 h11	l1 ±0.5	l2 ±0.3	l3	L4 ±0.2	g ±0.5	f ±0.2	Δ_{\pm}^{\pm} g
R3427.L004	4	M4	4	8	8	21	16	6	10	6	0,5	6
R3427.L005	5	M5	5	10	10	26	20	8	12,5	7,5	0,5	12
R3427.L006	6	M6	6	12	12	31	24	11	15	9	0,5	21
R3427.L008	8	M8	8	16	16	42	32	14	20	12	0,5	51
R3427.L009	8	M8x1	8	16	16	42	32	14	20	12	0,5	51
R3427.L010	10	M10	10	20	20	52	40	18	25	15	0,5	98
R3427.L011	10	M10x1,25	10	20	20	52	40	18	25	15	0,5	98
R3427.L012	12	M12	12	24	24	62	48	22	30	18	0,5	168
R3427.L013	12	M12x1,25	12	24	24	62	48	22	30	18	0,5	167
R3427.L014	14	M14	14	27	27	72	56	25	35	21	1	247
R3427.L015	14	M14x1,5	14	27	27	72	56	25	35	21	1	245
R3427.L016	16	M16	16	32	32	83	64	30	40	24	1	397
R3427.L017	16	M16x1,5	16	32	32	83	64	30	40	24	1	395
R3427.L020	20	M20	20	40	40	105	80	38	50	30	1	783
R3427.L021	20	M20x1,5	20	40	40	105	80	38	50	30	1	776