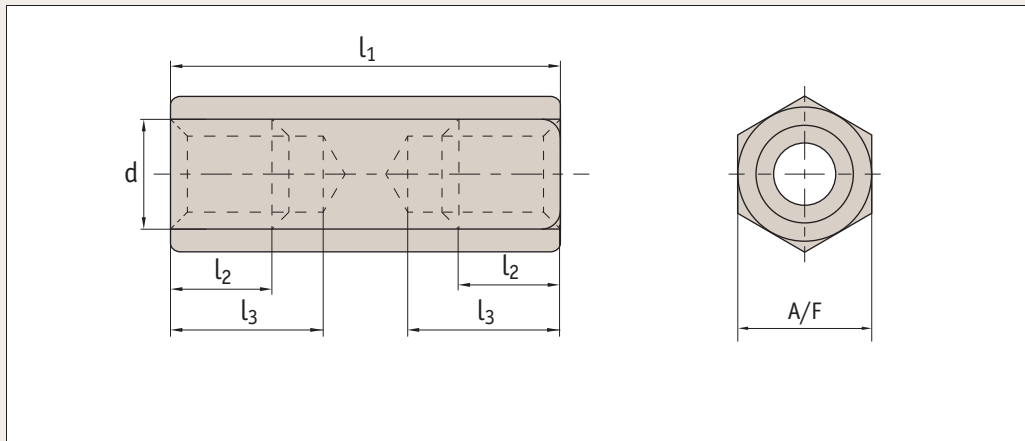


Hexagonal Spacers





P0060.A2

Material

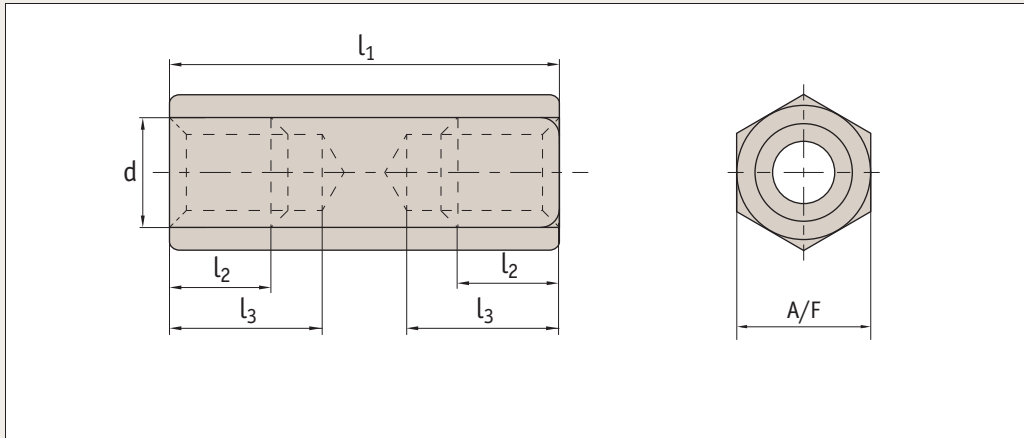
Stainless steel (A2, AISI 303).

Technical Notes

Slightly magnetic.
 $l_3 = (l_2 + >1\text{mm})$.

Order No.	d	$l_{1 \text{ JS13}}$	l_2	A/F
P0060.025-005-A2	M2,5	5	5	5
P0060.025-010-A2	M2,5	10	5	5
P0060.025-012-A2	M2,5	12	6	5
P0060.025-015-A2	M2,5	15	6	5
P0060.025-018-A2	M2,5	18	6	5
P0060.025-020-A2	M2,5	20	6	5
P0060.025-025-A2	M2,5	25	6	5
P0060.030-005-A2	M3	5	5	5,5
P0060.030-008-A2	M3	8	8	5,5
P0060.030-010-A2	M3	10	10	5,5
P0060.030-012-A2	M3	12	6	5,5
P0060.030-015-A2	M3	15	7	5,5
P0060.030-018-A2	M3	18	7	5,5
P0060.030-020-A2	M3	20	7	5,5
P0060.030-025-A2	M3	25	7	5,5
P0060.030-030-A2	M3	30	7	5,5
P0060.030-035-A2	M3	35	7	5,5
P0060.030-040-A2	M3	40	7	5,5
P0060.030-045-A2	M3	45	7	5,5
P0060.040-005-A2	M4	5	5	7
P0060.040-010-A2	M4	10	10	7
P0060.040-015-A2	M4	15	7	7
P0060.040-020-A2	M4	20	9	7
P0060.040-025-A2	M4	25	9	7
P0060.040-030-A2	M4	30	9	7
P0060.040-035-A2	M4	35	9	7

Order No.	d	$l_{1 \text{ JS13}}$	l_2	A/F
P0060.040-045-A2	M4	45	9	7
P0060.040-050-A2	M4	50	9	7
P0060.040-060-A2	M4	60	9	7
P0060.040-070-A2	M4	70	9	7
P0060.040-080-A2	M4	80	9	7
P0060.050-010-A2	M5	10	10	8
P0060.050-015-A2	M5	15	15	8
P0060.050-020-A2	M5	20	10	8
P0060.050-025-A2	M5	25	10	8
P0060.050-030-A2	M5	30	10	8
P0060.050-035-A2	M5	35	10	8
P0060.050-040-A2	M5	40	10	8
P0060.050-050-A2	M5	50	10	8
P0060.050-080-A2	M5	80	10	8
P0060.060-010-A2	M6	10	10	10
P0060.060-015-A2	M6	15	15	10
P0060.060-020-A2	M6	20	10	10
P0060.060-025-A2	M6	25	10	10
P0060.060-030-A2	M6	30	10	10
P0060.060-035-A2	M6	35	10	10
P0060.060-040-A2	M6	40	10	10
P0060.060-050-A2	M6	50	10	10
P0060.060-055-A2	M6	55	10	10
P0060.060-065-A2	M6	65	10	10



P0060.ZP

Material

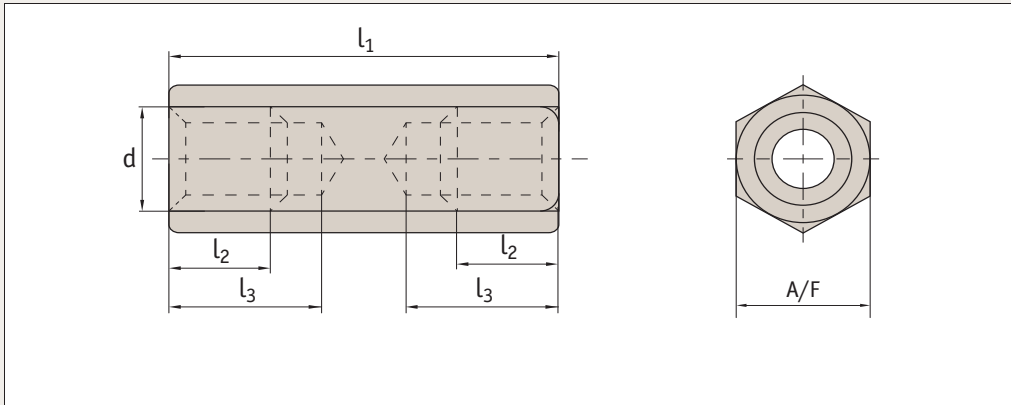
Mild steel (S300Pb), zinc-plated.

Technical Notes

$l_3 = (l_2 + > 1\text{mm})$.

Order No.	d	$l_{1 \text{ js13}}$	l_2	A/F
P0060.025-005-ZP	M2,5	5	5	5
P0060.025-008-ZP	M2,5	8	4	5
P0060.025-010-ZP	M2,5	10	5	5
P0060.025-012-ZP	M2,5	12	6	5
P0060.025-015-ZP	M2,5	15	6	5
P0060.025-018-ZP	M2,5	18	6	5
P0060.025-020-ZP	M2,5	20	6	5
P0060.025-025-ZP	M2,5	25	6	5
P0060.025-030-ZP	M2,5	30	6	5
P0060.025-040-ZP	M2,5	40	6	5
P0060.030-005-ZP	M3	5	5	5,5
P0060.030-008-ZP	M3	8	8	5,5
P0060.030-010-ZP	M3	10	10	5,5
P0060.030-012-ZP	M3	12	6	5,5
P0060.030-015-ZP	M3	15	7	5,5
P0060.030-018-ZP	M3	18	7	5,5
P0060.030-020-ZP	M3	20	7	5,5
P0060.030-025-ZP	M3	25	7	5,5
P0060.030-030-ZP	M3	30	7	5,5
P0060.030-035-ZP	M3	35	7	5,5
P0060.030-040-ZP	M3	40	7	5,5
P0060.030-045-ZP	M3	45	7	5,5
P0060.030-050-ZP	M3	50	7	5,5
P0060.030-055-ZP	M3	55	7	5,5
P0060.030-060-ZP	M3	60	7	5,5
P0060.030-070-ZP	M3	70	7	5,5
P0060.030-080-ZP	M3	80	7	5,5
P0060.040-006-ZP	M4	6	6	7
P0060.040-008-ZP	M4	8	8	7
P0060.040-010-ZP	M4	10	10	7
P0060.040-012-ZP	M4	12	12	7
P0060.040-015-ZP	M4	15	7	7
P0060.040-018-ZP	M4	18	9	7
P0060.040-020-ZP	M4	20	9	7
P0060.040-025-ZP	M4	25	9	7
P0060.040-030-ZP	M4	30	9	7

Order No.	d	$l_{1 \text{ js13}}$	l_2	A/F
P0060.040-035-ZP	M4	35	9	7
P0060.040-040-ZP	M4	40	9	7
P0060.040-045-ZP	M4	45	9	7
P0060.040-050-ZP	M4	50	9	7
P0060.040-055-ZP	M4	55	9	7
P0060.040-060-ZP	M4	60	9	7
P0280.040-070-ZP	M4	70	9	7
P0060.050-008-ZP	M5	8	8	8
P0060.050-010-ZP	M5	10	10	8
P0060.050-012-ZP	M5	12	12	8
P0060.050-015-ZP	M5	15	15	8
P0060.050-018-ZP	M5	18	18	8
P0060.050-020-ZP	M5	20	10	8
P0060.050-025-ZP	M5	25	10	8
P0060.050-030-ZP	M5	30	10	8
P0060.050-035-ZP	M5	35	10	8
P0060.050-040-ZP	M5	40	10	8
P0060.050-045-ZP	M5	45	10	8
P0060.050-050-ZP	M5	50	10	8
P0060.050-055-ZP	M5	55	10	8
P0060.050-060-ZP	M5	60	10	8
P0060.050-070-ZP	M5	70	10	8
P0060.050-080-ZP	M5	80	10	8
P0060.060-010-ZP	M6	10	10	10
P0060.060-012-ZP	M6	12	12	10
P0060.060-015-ZP	M6	15	15	10
P0060.060-018-ZP	M6	18	18	10
P0060.060-020-ZP	M6	20	10	10
P0060.060-025-ZP	M6	25	10	10
P0060.060-030-ZP	M6	30	10	10
P0060.060-035-ZP	M6	35	10	10
P0060.060-040-ZP	M6	40	10	10
P0060.060-045-ZP	M6	45	10	10
P0060.060-050-ZP	M6	50	10	10
P0060.060-055-ZP	M6	55	10	10
P0060.060-060-ZP	M6	60	10	10



P0060.BR

Material

Brass (2.0402), bright nickel-plated.

Technical Notes

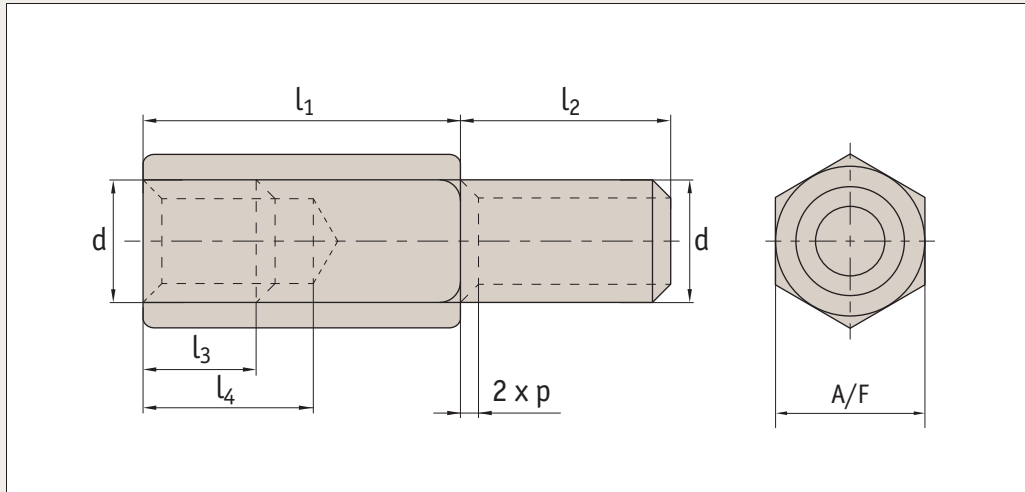
$l_3 = (l_2 + >1\text{mm})$.

Order No.	d	$l_{1 \text{ JS13}}$	l_2	A/F
P0060.020-005-BR	M2	5	5	4
P0060.020-008-BR	M2	8	8	4
P0060.020-010-BR	M2	10	10	4
P0060.020-012-BR	M2	12	6	4
P0060.020-015-BR	M2	15	6	4
P0060.020-018-BR	M2	18	5	4
P0060.020-020-BR	M2	20	6	4
P0060.020-025-BR	M2	25	6	4
P0060.020-030-BR	M2	30	6	4
P0060.020-035-BR	M2	35	10	4
P0060.020-040-BR	M2	40	10	4
P0060.020-045-BR	M2	45	10	4
P0060.025-005-BR	M2,5	5	5	5
P0060.025-008-BR	M2,5	8	4	5
P0060.025-010-BR	M2,5	10	5	5
P0060.025-012-BR	M2,5	12	6	5
P0060.025-015-BR	M2,5	15	6	5
P0060.025-018-BR	M2,5	18	6	5
P0060.025-020-BR	M2,5	20	6	5
P0060.025-025-BR	M2,5	25	6	5
P0060.025-030-BR	M2,5	30	6	5
P0060.025-035-BR	M2,5	35	6	5
P0060.025-040-BR	M2,5	40	6	5
P0060.025-045-BR	M2,5	45	10	5
P0060.030-005-BR	M3	5	5	5
P0060.030-008-BR	M3	8	8	5
P0060.030-010-BR	M3	10	10	5
P0060.030-012-BR	M3	12	6	5
P0060.030-015-BR	M3	15	7	5
P0060.030-018-BR	M3	18	7	5
P0060.030-020-BR	M3	20	7	5
P0060.030-025-BR	M3	25	7	5
P0060.030-030-BR	M3	30	7	5
P0060.030-035-BR	M3	35	7	5
P0060.030-040-BR	M3	40	7	5
P0060.030-045-BR	M3	45	10	5
P0060.030-050-BR	M3	50	10	5

Order No.	d	$l_{1 \text{ JS13}}$	l_2	A/F
P0060.040-005-BR	M4	5	5	7
P0060.040-008-BR	M4	8	8	7
P0060.040-010-BR	M4	10	10	7
P0060.040-012-BR	M4	12	12	7
P0060.040-015-BR	M4	15	7	7
P0060.040-018-BR	M4	18	9	7
P0060.040-020-BR	M4	20	9	7
P0060.040-025-BR	M4	25	9	7
P0060.040-030-BR	M4	30	9	7
P0060.040-035-BR	M4	35	9	7
P0060.040-040-BR	M4	40	9	7
P0060.040-045-BR	M4	45	9	7
P0060.040-050-BR	M4	50	9	7
P0060.040-055-BR	M4	55	9	7
P0060.040-060-BR	M4	60	9	7
P0060.050-010-BR	M5	10	10	8
P0060.050-012-BR	M5	12	12	8
P0060.050-020-BR	M5	20	10	8
P0060.050-025-BR	M5	25	10	8
P0060.050-030-BR	M5	30	10	8
P0060.050-035-BR	M5	35	10	8
P0060.050-040-BR	M5	40	10	8
P0060.050-045-BR	M5	45	10	8
P0060.050-050-BR	M5	50	11	8
P0060.050-055-BR	M5	55	11	8
P0060.050-060-BR	M5	60	11	8
P0060.050-070-BR	M5	70	11	8
P0060.050-080-BR	M5	80	11	8
P0060.060-015-BR	M6	15	15	10
P0060.060-025-BR	M6	25	10	10
P0060.060-030-BR	M6	30	10	10
P0060.060-035-BR	M6	35	12	10
P0060.060-040-BR	M6	40	12	10
P0060.060-045-BR	M6	45	12	10
P0060.060-050-BR	M6	50	12	10



P0061.A2



Material

Stainless steel (A2, AISI 303).

Technical Notes

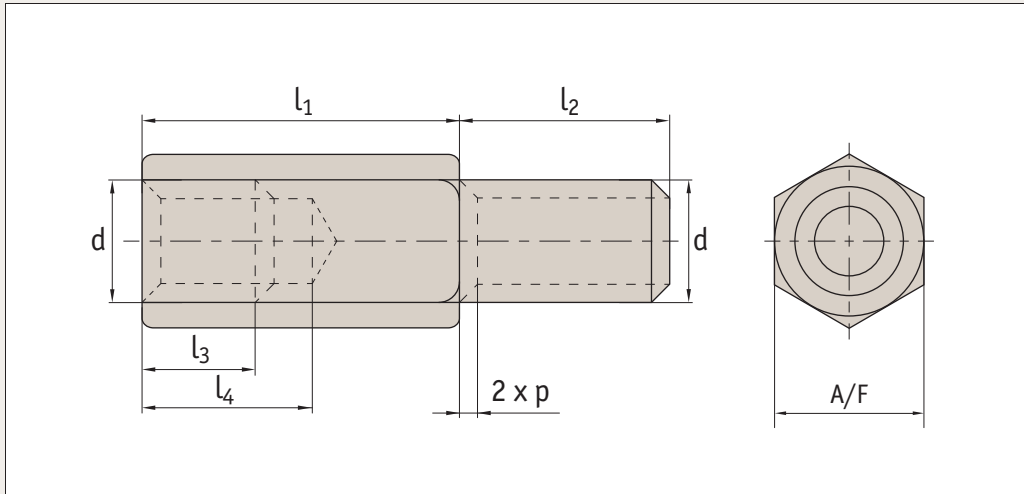
$l_4 = (l_3 + >1\text{mm})$.

Order No.	d	$l_{1 \text{ JS } 13}$	l_2	l_3	A/F
P0061.025-005-A2	M2,5	5	6	2,5	5
P0061.025-010-A2	M2,5	10	6	7,0	5
P0061.025-012-A2	M2,5	12	6	7,0	5
P0061.025-016-A2	M2,5	16	6	7,0	5
P0061.030-005-A2	M3	5	6	2,5	5,5
P0061.030-008-A2	M3	8	8	5,0	5,5
P0061.030-010-A2	M3	10	6	6,5	5,5
P0061.030-012-A2	M3	12	6	7,0	5,5
P0061.030-015-A2	M3	15	5	7,0	5,5
P0061.030-018-A2	M3	18	6	7,0	5,5
P0061.030-020-A2	M3	20	6	7,0	5,5
P0061.030-025-A2	M3	25	6	7,0	5,5
P0061.030-030-A2	M3	30	6	7,0	5,5
P0061.030-035-A2	M3	35	6	7,0	5,5
P0061.030-040-A2	M3	40	6	7,0	5,5
P0061.030-045-A2	M3	45	6	7,0	5,5
P0061.030-050-A2	M3	50	6	7,0	5,5
P0061.030-055-A2	M3	55	6	7,0	5,5
P0061.030-060-A2	M3	60	6	7,0	5,5
P0061.030-070-A2	M3	70	6	7,0	5,5
P0061.040-006-A2	M4	6	8	3,5	7
P0061.040-008-A2	M4	8	8	4,5	7
P0061.040-010-A2	M4	10	8	6,0	7
P0061.040-015-A2	M4	15	8	9,0	7
P0061.040-018-A2	M4	18	8	10,0	7
P0061.040-020-A2	M4	20	8	9,0	7
P0061.040-025-A2	M4	25	8	9,0	7
P0061.040-030-A2	M4	30	8	9,0	7
P0061.040-035-A2	M4	35	8	9,0	7

Order No.	d	$l_{1 \text{ JS } 13}$	l_2	l_3	A/F
P0061.040-040-A2	M4	40	8	9,0	7
P0061.040-050-A2	M4	50	8	9,0	7
P0061.040-055-A2	M4	55	8	9,0	7
P0061.040-060-A2	M4	60	8	9,0	7
P0061.050-008-A2	M5	8	10	4,5	8
P0061.050-010-A2	M5	10	10	5,5	8
P0061.050-012-A2	M5	12	10	8,0	8
P0061.050-015-A2	M5	15	10	9,0	8
P0061.050-020-A2	M5	20	10	11,0	8
P0061.050-025-A2	M5	25	10	11,0	8
P0061.050-030-A2	M5	30	10	11,0	8
P0061.050-035-A2	M5	35	10	11,0	8
P0061.050-040-A2	M5	40	10	11,0	8
P0061.050-050-A2	M5	50	10	11,0	8
P0061.050-060-A2	M5	60	10	11,0	8
P0061.050-080-A2	M5	80	10	11,0	8
P0061.060-010-A2	M6	10	12	6,0	10
P0061.060-015-A2	M6	15	12	11,0	10
P0061.060-020-A2	M6	20	12	12,0	10
P0061.060-025-A2	M6	25	12	12,0	10
P0061.060-030-A2	M6	30	12	12,0	10
P0061.060-035-A2	M6	35	12	12,0	10
P0061.060-040-A2	M6	40	12	12,0	10
P0061.060-045-A2	M6	45	12	12,0	10
P0061.060-050-A2	M6	50	12	12,0	10
P0061.060-060-A2	M6	60	12	12,0	10
P0061.060-085-A2	M6	85	12	12,0	10
P0061.060-090-A2	M6	90	12	12,0	10



P0061.ZP



Material

Mild steel, zinc-plated.

Technical Notes

$l_4 = (l_3 + >1\text{mm})$.

Order No.	d	$l_{1 \text{ JS } 13}$	l_2	l_3	A/F
P0061.025-005-ZP	M2,5	5	6	2,5	5
P0061.025-008-ZP	M2,5	8	6	5,5	5
P0061.025-012-ZP	M2,5	12	6	7,0	5
P0061.025-015-ZP	M2,5	15	6	7,0	5
P0061.025-020-ZP	M2,5	20	6	7,0	5
P0061.030-005-ZP	M3	5	6	2,5	5,5
P0061.030-008-ZP	M3	8	6	5,0	5,5
P0061.030-010-ZP	M3	10	6	5,0	5,5
P0061.030-012-ZP	M3	12	6	6,5	5,5
P0061.030-015-ZP	M3	15	6	7,5	5,5
P0061.030-018-ZP	M3	18	6	8,0	5,5
P0061.030-020-ZP	M3	20	6	7,0	5,5
P0061.030-025-ZP	M3	25	6	7,0	5,5
P0061.030-030-ZP	M3	30	6	7,0	5,5
P0061.030-035-ZP	M3	35	6	7,0	5,5
P0061.030-040-ZP	M3	40	6	7,0	5,5
P0061.030-045-ZP	M3	45	6	7,0	5,5
P0061.030-050-ZP	M3	50	6	7,0	5,5
P0061.030-060-ZP	M3	60	6	7,0	5,5
P0061.030-070-ZP	M3	70	6	7,0	5,5
P0061.030-080-ZP	M3	80	6	7,0	5,5
P0061.040-005-ZP	M4	5	8	2,3	7
P0061.040-008-ZP	M4	8	8	4,5	7
P0061.040-010-ZP	M4	10	6	6,0	7
P0061.040-012-ZP	M4	12	8	8,0	7
P0061.040-015-ZP	M4	15	8	9,0	7
P0061.040-018-ZP	M4	18	8	9,0	7
P0061.040-020-ZP	M4	20	8	9,0	7
P0061.040-025-ZP	M4	25	8	9,0	7
P0061.040-030-ZP	M4	30	8	9,0	7
P0061.040-035-ZP	M4	35	8	9,0	7
P0061.040-040-ZP	M4	40	8	9,0	7
P0061.040-045-ZP	M4	45	8	9,0	7
P0061.040-050-ZP	M4	50	8	9,0	7

Order No.	d	$l_{1 \text{ JS } 13}$	l_2	l_3	A/F
P0061.040-055-ZP	M4	55	8	9,0	7
P0061.040-060-ZP	M4	60	8	9,0	7
P0061.040-070-ZP	M4	70	8	9,0	7
P0061.040-080-ZP	M4	80	8	9,0	7
P0061.050-008-ZP	M5	8	10	5,0	8
P0061.050-010-ZP	M5	10	10	5,5	8
P0061.050-012-ZP	M5	12	10	8,0	8
P0061.050-015-ZP	M5	15	10	9,0	8
P0061.050-018-ZP	M5	18	10	10,0	8
P0061.050-020-ZP	M5	20	10	11,0	8
P0061.050-025-ZP	M5	25	10	11,0	8
P0061.050-030-ZP	M5	30	10	11,0	8
P0061.050-035-ZP	M5	35	10	11,0	8
P0061.050-040-ZP	M5	40	10	11,0	8
P0061.050-045-ZP	M5	45	10	11,0	8
P0061.050-050-ZP	M5	50	10	11,0	8
P0061.050-055-ZP	M5	55	10	11,0	8
P0061.050-060-ZP	M5	60	10	11,0	8
P0061.050-070-ZP	M5	70	10	11,0	8
P0061.050-080-ZP	M5	80	10	11,0	8
P0061.060-010-ZP	M6	10	12	6,0	10
P0061.060-015-ZP	M6	15	12	11,0	8
P0061.060-018-ZP	M6	18	12	12,0	8
P0061.060-020-ZP	M6	20	12	12,0	8
P0061.060-025-ZP	M6	25	12	12,0	8
P0061.060-030-ZP	M6	30	12	12,0	8
P0061.060-035-ZP	M6	35	12	12,0	8
P0061.060-040-ZP	M6	40	12	12,0	8
P0061.060-045-ZP	M6	45	12	12,0	8
P0061.060-050-ZP	M6	50	12	12,0	8
P0061.060-055-ZP	M6	55	12	12,0	8
P0061.060-060-ZP	M6	60	12	12,0	8
P0061.060-070-ZP	M6	70	12	12,0	8
P0061.060-080-ZP	M6	80	12	12,0	8

Steel Hexagonal Pillars

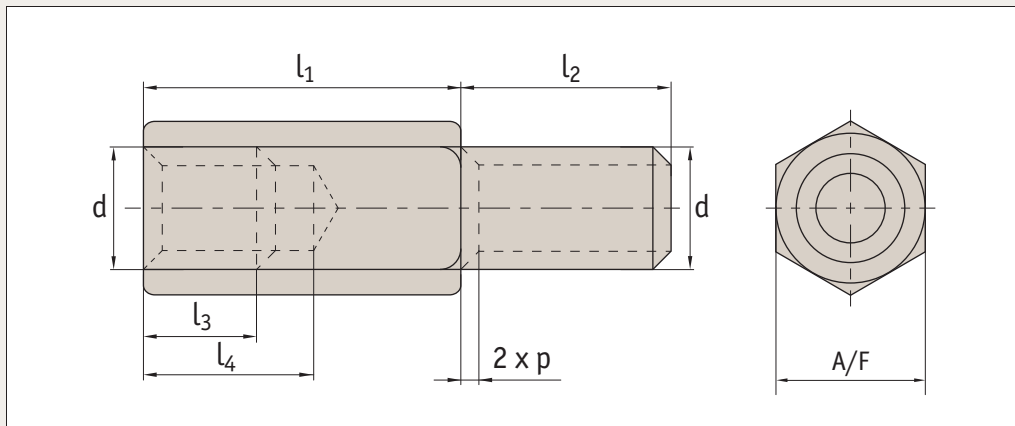
steel, zinc-plated

Threaded Spacers



Order No.	d	$l_{1 \text{ JS } 13}$	l_2	l_3	A/F
P0061.080-010-ZP	M8	10	14	6,0	13
P0061.080-015-ZP	M8	15	14	8,0	13
P0061.080-018-ZP	M8	18	14	12,0	13
P0061.080-020-ZP	M8	20	14	12,0	13
P0061.080-025-ZP	M8	25	14	15,0	13
P0061.080-030-ZP	M8	30	14	15,0	13
P0061.080-035-ZP	M8	35	14	15,0	13

Order No.	d	$l_{1 \text{ JS } 13}$	l_2	l_3	A/F
P0061.080-040-ZP	M8	40	14	15,0	13
P0061.080-045-ZP	M8	45	14	15,0	13
P0061.080-050-ZP	M8	50	14	15,0	13
P0061.080-060-ZP	M8	60	14	15,0	13
P0061.080-070-ZP	M8	70	14	15,0	13
P0061.080-080-ZP	M8	80	14	15,0	13



P0061.BR

Material

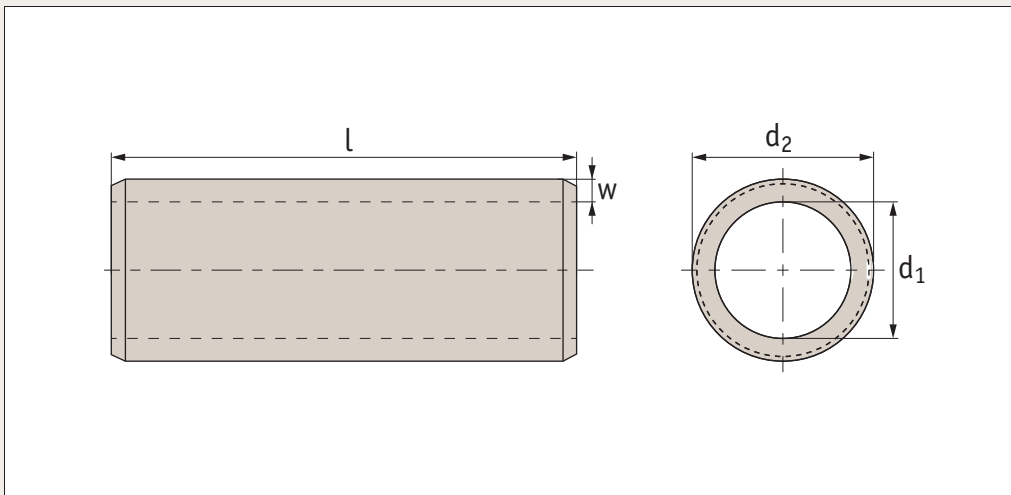
Brass (CZ 121), bright nickel-plated.

Technical Notes

$l_4 = (l_3 + >1\text{mm})$.

Order No.	d	$l_{1\text{ JS }13}$	l_2	l_3	A/F
P0061.020-005-BR	M2	5	6	2,8	4
P0061.020-008-BR	M2	8	6	6	4
P0061.020-010-BR	M2	10	6	7	4
P0061.020-012-BR	M2	12	6	7	4
P0061.020-015-BR	M2	15	6	7	4
P0061.020-020-BR	M2	20	5	7	4
P0061.020-025-BR	M2	25	6	7	4
P0061.020-030-BR	M2	30	6	7	4
P0061.025-005-BR	M2,5	5	6	2,5	4
P0061.025-008-BR	M2,5	8	6	5,5	4
P0061.025-010-BR	M2,5	10	6	7	4
P0061.025-012-BR	M2,5	12	6	7	4
P0061.025-015-BR	M2,5	15	6	7	4
P0061.025-018-BR	M2,5	18	6	7	4
P0061.025-020-BR	M2,5	20	6	7	4
P0061.025-025-BR	M2,5	25	6	7	4
P0061.025-030-BR	M2,5	30	6	7	4
P0061.025-040-BR	M2,5	40	6	7	4
P0061.025-050-BR	M2,5	50	6	7	4
P0061.030-005-BR	M3	5	6	2,5	5,5
P0061.030-008-BR	M3	8	6	5	5,5
P0061.030-010-BR	M3	10	6	6,5	5,5
P0061.030-012-BR	M3	12	6	7	5,5
P0061.030-015-BR	M3	15	6	7	5,5
P0061.030-018-BR	M3	18	6	7	5,5
P0061.030-020-BR	M3	20	6	7	5,5
P0061.030-025-BR	M3	25	6	7	5,5
P0061.030-030-BR	M3	30	6	7	5,5
P0061.030-035-BR	M3	35	6	7	5,5
P0061.030-040-BR	M3	40	6	7	5,5
P0061.030-045-BR	M3	45	6	7	5,5
P0061.030-050-BR	M3	50	6	7	5,5
P0061.030-055-BR	M3	55	6	7	5,5
P0061.030-060-BR	M3	60	6	7	5,5
P0061.040-005-BR	M4	5	8	2,3	7
P0061.040-008-BR	M4	8	8	4,5	7

Order No.	d	$l_{1\text{ JS }13}$	l_2	l_3	A/F
P0061.040-010-BR	M4	10	8	6	7
P0061.040-012-BR	M4	12	8	6	7
P0061.040-015-BR	M4	15	8	9	7
P0061.040-018-BR	M4	18	8	9	7
P0061.040-020-BR	M4	20	8	9	7
P0061.040-025-BR	M4	25	8	9	7
P0061.040-030-BR	M4	30	8	9	7
P0061.040-035-BR	M4	35	10	9	7
P0061.040-040-BR	M4	40	8	9	7
P0061.040-045-BR	M4	45	8	9	7
P0061.040-050-BR	M4	50	8	9	7
P0061.040-055-BR	M4	55	8	9	7
P0061.040-060-BR	M4	60	8	9	7
P0061.040-065-BR	M4	65	8	9	7
P0061.040-070-BR	M4	70	10	9	7
P0061.040-080-BR	M4	80	8	9	7
P0061.050-010-BR	M5	10	10	5,5	8
P0061.050-012-BR	M5	12	10	8	8
P0061.050-015-BR	M5	15	10	9	8
P0061.050-018-BR	M5	18	10	10	8
P0061.050-020-BR	M5	20	10	10	8
P0061.050-025-BR	M5	25	10	10	8
P0061.050-030-BR	M5	30	10	10	8
P0061.050-035-BR	M5	35	10	10	8
P0061.050-040-BR	M5	40	10	10	8
P0061.050-045-BR	M5	45	10	10	8
P0061.050-050-BR	M5	50	10	10	8
P0061.050-060-BR	M5	60	10	10	8
P0061.060-015-BR	M6	15	12	11	10
P0061.060-020-BR	M6	20	12	12	10
P0061.060-025-BR	M6	25	12	12	10
P0061.060-030-BR	M6	30	12	12	10
P0061.060-035-BR	M6	35	12	12	10
P0061.060-040-BR	M6	40	12	12	10
P0061.060-045-BR	M6	45	12	12	10



P0065.A2

Material

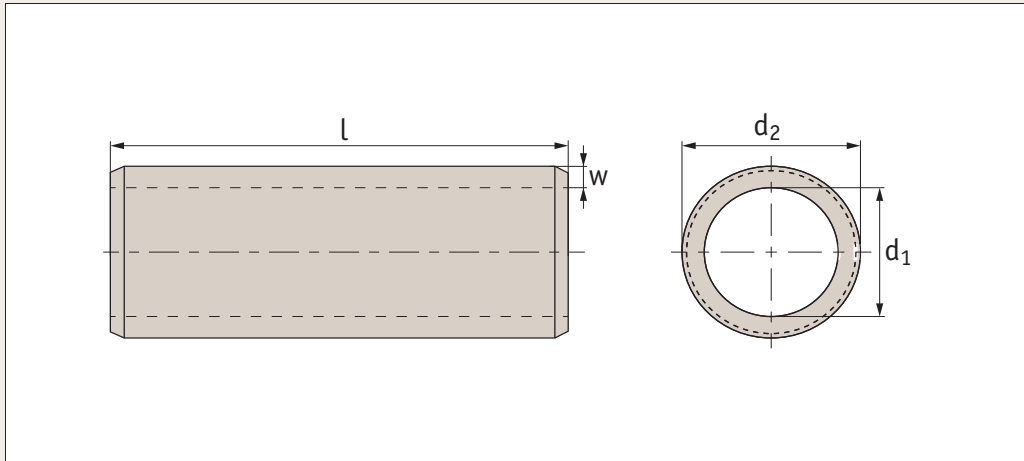
Stainless steel (A2, AISI 303).

Order No.	For thread	l	d ₁	d ₂	w
P0065.030-002-A2	M3	2	3,4	5,0	0,8
P0065.030-003-A2	M3	3	3,4	5,0	0,8
P0065.030-004-A2	M3	4	3,4	5,0	0,8
P0065.030-005-A2	M3	5	3,4	5,0	0,8
P0065.030-006-A2	M3	6	3,4	5,0	0,8
P0065.030-008-A2	M3	8	3,4	5,0	0,8
P0065.030-010-A2	M3	10	3,4	5,0	0,8
P0065.030-012-A2	M3	12	3,4	5,0	0,8
P0065.030-015-A2	M3	15	3,4	5,0	0,8
P0065.030-020-A2	M3	20	3,4	5,0	0,8
P0065.030-025-A2	M3	25	3,4	5,0	0,8
P0065.030-030-A2	M3	30	3,4	5,0	0,8
P0065.040-002-A2	M4	2	4,5	6,0	0,75
P0065.040-003-A2	M4	3	4,5	6,0	0,75
P0065.040-004-A2	M4	4	4,5	6,0	0,75
P0065.040-005-A2	M4	5	4,5	6,0	0,75
P0065.040-006-A2	M4	6	4,5	6,0	0,75
P0065.040-008-A2	M4	8	4,5	6,0	0,75
P0065.040-010-A2	M4	10	4,5	6,0	0,75

Order No.	For thread	l	d ₁	d ₂	w
P0065.040-015-A2	M4	15	4,5	6,0	0,75
P0065.040-020-A2	M4	20	4,5	6,0	0,75
P0065.040-025-A2	M4	25	4,5	6,0	0,75
P0065.040-030-A2	M4	30	4,5	6,0	0,75
P0065.050-004-A2	M5	4	6,0	8,0	1,0
P0065.050-005-A2	M5	5	6,0	8,0	1,0
P0065.050-010-A2	M5	10	6,0	8,0	1,0
P0065.050-015-A2	M5	15	6,0	8,0	1,0
P0065.050-020-A2	M5	20	6,0	8,0	1,0
P0065.060-002-A2	M6	2	6,4	10,0	1,8
P0065.060-005-A2	M6	5	6,4	10,0	1,8
P0065.060-006-A2	M6	6	6,4	10,0	1,8
P0065.060-010-A2	M6	10	6,4	10,0	1,8
P0065.060-015-A2	M6	15	6,4	10,0	1,8
P0065.060-020-A2	M6	20	6,4	10,0	1,8
P0065.060-025-A2	M6	25	6,4	10,0	1,8
P0065.060-030-A2	M6	30	6,4	10,0	1,8



P0065.ZP



Material

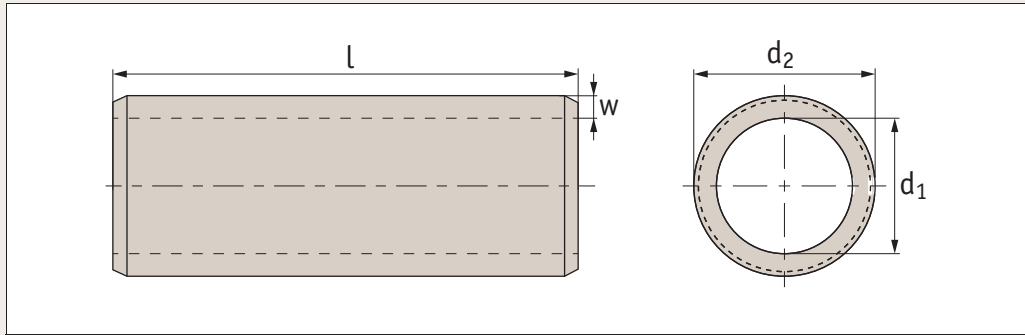
Mild steel (AISI 1010, CS4), zinc plated.

Technical Notes

These are rolled spacers - the manufacturing process makes them very cost-effective.

Order No.	For thread	$l_{+0,-0.2}$	d_1	d_2	w
P0065.025-002-ZP	M2,5	2	2,7	4,5	0,9
P0065.025-003-ZP	M2,5	3	2,7	4,5	0,9
P0065.025-004-ZP	M2,5	4	2,7	4,5	0,9
P0065.025-005-ZP	M2,5	5	2,7	4,5	0,9
P0065.025-006-ZP	M2,5	6	2,7	4,5	0,9
P0065.025-010-ZP	M2,5	10	2,7	4,5	0,9
P0065.025-012-ZP	M2,5	12	2,7	4,5	0,9
P0065.025-015-ZP	M2,5	15	2,7	4,5	0,9
P0065.025-018-ZP	M2,5	18	2,7	4,5	0,9
P0065.030-002-ZP	M 3	2	3,4	5,0	0,8
P0065.030-003-ZP	M 3	3	3,4	5,0	0,8
P0065.030-004-ZP	M 3	4	3,4	5,0	0,8
P0065.030-006-ZP	M 3	6	3,4	5,0	0,8
P0065.030-008-ZP	M 3	8	3,4	5,0	0,8
P0065.030-010-ZP	M 3	10	3,4	5,0	0,8
P0065.030-012-ZP	M 3	12	3,4	5,0	0,8
P0065.030-015-ZP	M 3	15	3,4	5,0	0,8
P0065.030-018-ZP	M 3	18	3,4	5,0	0,8
P0065.030-030-ZP	M 3	30	3,4	5,0	0,8
P0065.040-002-ZP	M 4	2	4,5	6,0	0,75
P0065.040-003-ZP	M 4	3	4,5	6,0	0,75
P0065.040-004-ZP	M 4	4	4,5	6,0	0,75
P0065.040-006-ZP	M 4	6	4,5	6,0	0,75
P0065.040-008-ZP	M 4	8	4,5	6,0	0,75
P0065.040-010-ZP	M 4	10	4,5	6,0	0,75
P0065.040-012-ZP	M 4	12	4,5	6,0	0,75
P0065.040-015-ZP	M 4	15	4,5	6,0	0,75
P0065.040-018-ZP	M 4	18	4,5	6,0	0,75
P0065.040-020-ZP	M 4	20	4,5	6,0	0,75
P0065.040-024-ZP	M 4	24	4,5	6,0	0,75
P0065.040-028-ZP	M 4	28	4,5	6,0	0,75
P0065.040-030-ZP	M 4	30	4,5	6,0	0,75
P0065.040-035-ZP	M 4	35	4,5	6,0	0,75

Order No.	For thread	$l_{+0,-0.2}$	d_1	d_2	w
P0065.040-050-ZP	M 4	50	4,5	6,0	0,75
P0065.050-006-ZP	M 5	6	5,6	8,0	1,2
P0065.050-008-ZP	M 5	8	5,6	8,0	1,2
P0065.050-010-ZP	M 5	10	5,6	8,0	1,2
P0065.050-012-ZP	M 5	12	5,6	8,0	1,2
P0065.050-015-ZP	M 5	15	5,6	8,0	1,2
P0065.050-018-ZP	M 5	18	5,6	8,0	1,2
P0065.050-020-ZP	M 5	20	5,6	8,0	1,2
P0065.050-024-ZP	M 5	24	5,6	8,0	1,2
P0065.050-028-ZP	M 5	28	5,6	8,0	1,2
P0065.050-030-ZP	M 5	30	5,6	8,0	1,2
P0065.050-035-ZP	M 5	35	5,6	8,0	1,2
P0065.050-040-ZP	M 5	40	5,6	8,0	1,2
P0065.060-004-ZP	M 6	4	6,4	10,0	1,8
P0065.060-006-ZP	M 6	6	6,4	10,0	1,8
P0065.060-008-ZP	M 6	8	6,4	10,0	1,8
P0065.060-010-ZP	M 6	10	6,4	10,0	1,8
P0065.060-012-ZP	M 6	12	6,4	10,0	1,8
P0065.060-015-ZP	M 6	15	6,4	10,0	1,8
P0065.060-020-ZP	M 6	20	6,4	10,0	1,8
P0065.060-024-ZP	M 6	24	6,4	10,0	1,8
P0065.060-025-ZP	M 6	25	6,4	10,0	1,8
P0065.060-028-ZP	M 6	28	6,4	10,0	1,8
P0065.060-030-ZP	M 6	30	6,4	10,0	1,8
P0065.060-035-ZP	M 6	35	6,4	10,0	1,8
P0065.060-040-ZP	M 6	40	6,4	10,0	1,8
P0065.080-004-ZP	M 8	4	8,4	12,0	1,8
P0065.080-006-ZP	M 8	6	8,4	12,0	1,8
P0065.080-010-ZP	M 8	10	8,4	12,0	1,8
P0065.080-012-ZP	M 8	12	8,4	12,0	1,8



P0065.BR

Material

Brass, nickel plated.

Order No.	For thread	l	d ₁	d ₂	w
P0065.020-001-BR	M2	1	2,2	4,0	0,8
P0065.020-002-BR	M2	2	2,2	4,0	0,8
P0065.020-003-BR	M2	3	2,2	4,0	0,8
P0065.020-004-BR	M2	4	2,2	4,0	0,8
P0065.020-005-BR	M2	5	2,2	4,0	0,8
P0065.020-006-BR	M2	6	2,2	4,0	0,8
P0065.020-008-BR	M2	8	2,2	4,0	0,8
P0065.020-010-BR	M2	10	2,2	4,0	0,8
P0065.020-012-BR	M2	12	2,2	4,0	0,8
P0065.020-015-BR	M2	15	2,2	4,0	0,8
P0065.020-018-BR	M2	18	2,2	4,0	0,8
P0065.020-020-BR	M2	20	2,2	4,0	0,8
P0065.025-001-BR	M2,5	1	2,6	4,5	0,9
P0065.025-002-BR	M2,5	2	2,6	4,5	0,9
P0065.025-003-BR	M2,5	3	2,6	4,5	0,9
P0065.025-004-BR	M2,5	4	2,6	4,5	0,9
P0065.025-005-BR	M2,5	5	2,6	4,5	0,9
P0065.025-006-BR	M2,5	6	2,6	4,5	0,9
P0065.025-008-BR	M2,5	8	2,6	4,5	0,9
P0065.025-010-BR	M2,5	10	2,6	4,5	0,9
P0065.025-015-BR	M2,5	15	2,6	4,5	0,9
P0065.025-020-BR	M2,5	20	2,6	4,5	0,9
P0065.030-001-BR	M3	1	3,2	6,0	0,8
P0065.030-002-BR	M3	2	3,2	6,0	0,8
P0065.030-003-BR	M3	3	3,2	6,0	0,8
P0065.030-004-BR	M3	4	3,2	6,0	0,8
P0065.030-005-BR	M3	5	3,2	6,0	0,8
P0065.030-006-BR	M3	6	3,2	6,0	0,8
P0065.030-008-BR	M3	8	3,2	6,0	0,8
P0065.030-010-BR	M3	10	3,2	6,0	0,8
P0065.030-015-BR	M3	15	3,2	6,0	0,8
P0065.030-020-BR	M3	20	3,2	6,0	0,8
P0065.030-025-BR	M3	25	3,2	6,0	0,8
P0065.030-030-BR	M3	30	3,2	6,0	0,8
P0065.030-035-BR	M3	35	3,2	6,0	0,8
P0065.040-001-BR	M4	3	4,3	8,0	0,75

Order No.	For thread	l	d ₁	d ₂	w
P0065.040-001-BR	M4	1	4,3	8,0	0,75
P0065.040-003-BR	M4	3	4,3	8,0	0,75
P0065.040-004-BR	M4	4	4,3	8,0	0,75
P0065.040-005-BR	M4	5	4,3	8,0	0,75
P0065.040-006-BR	M4	6	4,3	8,0	0,75
P0065.040-008-BR	M4	8	4,3	8,0	0,75
P0065.040-010-BR	M4	10	4,3	8,0	0,75
P0065.040-015-BR	M4	15	4,3	8,0	0,75
P0065.040-020-BR	M4	20	4,3	8,0	0,75
P0065.040-025-BR	M4	25	4,3	8,0	0,75
P0065.040-030-BR	M4	30	4,3	8,0	0,75
P0065.040-035-BR	M4	35	4,3	8,0	0,75
P0065.040-040-BR	M4	40	4,3	8,0	0,75
P0065.040-050-BR	M4	50	4,3	8,0	0,75
P0065.050-001-BR	M5	1	5,4	10,0	1,2
P0065.050-002-BR	M5	2	5,4	10,0	1,2
P0065.050-003-BR	M5	3	5,4	10,0	1,2
P0065.050-005-BR	M5	5	5,4	10,0	1,2
P0065.050-006-BR	M5	6	5,4	10,0	1,2
P0065.050-008-BR	M5	8	5,4	10,0	1,2
P0065.050-010-BR	M5	10	5,4	10,0	1,2
P0065.050-015-BR	M5	15	5,4	10,0	1,2
P0065.050-020-BR	M5	20	5,4	10,0	1,2
P0065.050-025-BR	M5	25	5,4	10,0	1,2
P0065.050-030-BR	M5	30	5,4	10,0	1,2
P0065.050-035-BR	M5	35	5,4	10,0	1,2
P0065.050-040-BR	M5	40	5,4	10,0	1,2
P0065.050-050-BR	M5	50	5,4	10,0	1,2
P0065.060-001-BR	M6	1	6,4	11,0	1,8
P0065.060-003-BR	M6	3	6,4	11,0	1,8
P0065.060-005-BR	M6	5	6,4	11,0	1,8
P0065.060-008-BR	M6	8	6,4	11,0	1,8
P0065.060-010-BR	M6	10	6,4	11,0	1,8
P0065.060-015-BR	M6	15	6,4	11,0	1,8
P0065.060-020-BR	M6	20	6,4	11,0	1,8
P0065.060-025-BR	M6	25	6,4	11,0	1,8