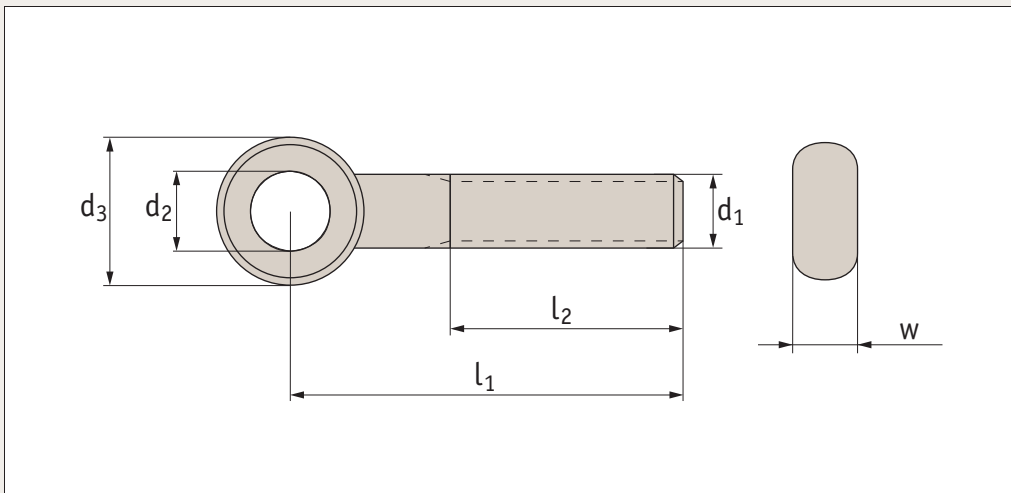


# Swing Bolts

A2 stainless



Threaded  
Spacers



**P0070.A2**

## Material

Stainless steel (A2, AISI 303).

## Technical Notes

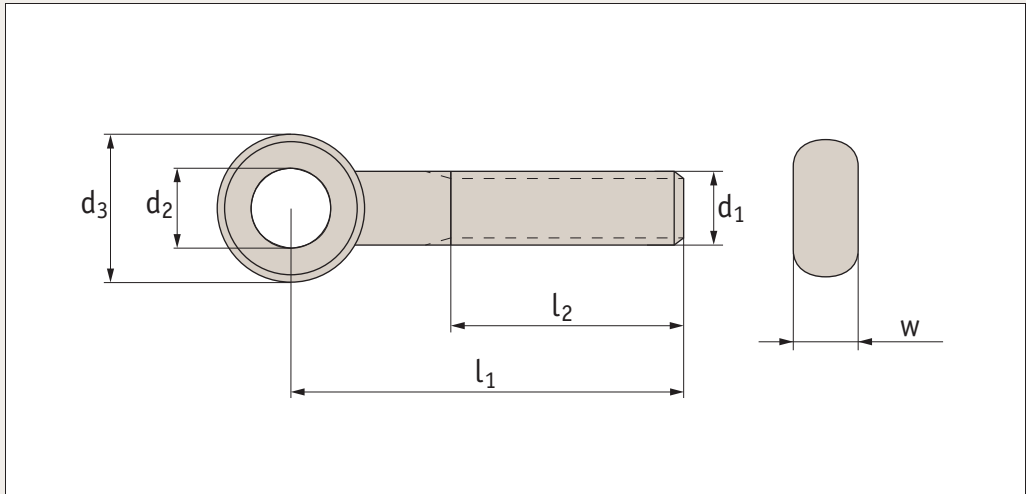
To DIN 444 B.

Order no.	d <sub>1 H9</sub>	l <sub>1</sub>	l <sub>2</sub>	w > max.	d <sub>2 H7</sub>	d <sub>3</sub>
<b>P0070.060-040-A2</b>	M 6	40	18	7	6	14
<b>P0070.060-050-A2</b>	M 6	50	18	7	6	14
<b>P0070.060-060-A2</b>	M 6	60	18	7	6	14
<b>P0070.080-030-A2</b>	M 8	30	22	9	8	18
<b>P0070.080-040-A2</b>	M 8	40	22	9	8	18
<b>P0070.080-050-A2</b>	M 8	50	22	9	8	18
<b>P0070.080-060-A2</b>	M 8	60	22	9	8	18
<b>P0070.080-070-A2</b>	M 8	70	22	9	8	18
<b>P0070.080-080-A2</b>	M 8	80	22	9	8	18
<b>P0070.080-090-A2</b>	M 8	90	22	9	8	18
<b>P0070.080-100-A2</b>	M 8	100	22	9	8	18
<b>P0070.100-040-A2</b>	M10	40	26	12	10	20
<b>P0070.100-050-A2</b>	M10	50	26	12	10	20
<b>P0070.100-060-A2</b>	M10	60	26	12	10	20
<b>P0070.100-070-A2</b>	M10	70	26	12	10	20
<b>P0070.100-080-A2</b>	M10	80	26	12	10	20
<b>P0070.100-090-A2</b>	M10	90	26	12	10	20
<b>P0070.100-100-A2</b>	M10	100	26	12	10	20
<b>P0070.100-120-A2</b>	M10	120	26	12	10	20
<b>P0070.120-040-A2</b>	M12	40	30	14	12	25
<b>P0070.120-050-A2</b>	M12	50	30	14	12	25
<b>P0070.120-060-A2</b>	M12	60	30	14	12	25
<b>P0070.120-070-A2</b>	M12	70	30	14	12	25
<b>P0070.120-080-A2</b>	M12	80	30	14	12	25
<b>P0070.120-100-A2</b>	M12	100	30	14	12	25
<b>P0070.120-120-A2</b>	M12	120	30	14	12	25
<b>P0070.120-130-A2</b>	M12	130	30	14	12	25
<b>P0070.120-140-A2</b>	M12	140	30	14	12	25
<b>P0070.120-150-A2</b>	M12	150	30	14	12	25

Order no.	d <sub>1 H9</sub>	l <sub>1</sub>	l <sub>2</sub>	w > max.	d <sub>2 H7</sub>	d <sub>3</sub>
<b>P0070.160-060-A2</b>	M16	60	38	17	16	32
<b>P0070.160-070-A2</b>	M16	70	38	17	16	32
<b>P0070.160-080-A2</b>	M16	80	38	17	16	32
<b>P0070.160-090-A2</b>	M16	100	38	17	16	32
<b>P0070.160-100-A2</b>	M16	110	38	17	16	32
<b>P0070.160-110-A2</b>	M16	120	38	17	16	32
<b>P0070.160-120-A2</b>	M16	130	38	17	16	32
<b>P0070.160-130-A2</b>	M16	140	38	17	16	32
<b>P0070.160-140-A2</b>	M16	150	38	17	16	32
<b>P0070.160-150-A2</b>	M16	150	38	17	16	32
<b>P0070.200-075-A2</b>	M20	75	46	22	18	40
<b>P0070.200-080-A2</b>	M20	80	46	22	18	40
<b>P0070.200-090-A2</b>	M20	90	46	22	18	40
<b>P0070.200-100-A2</b>	M20	100	46	22	18	40
<b>P0070.200-110-A2</b>	M20	110	46	22	18	40
<b>P0070.200-120-A2</b>	M20	120	46	22	18	40
<b>P0070.200-130-A2</b>	M20	130	46	22	18	40
<b>P0070.200-140-A2</b>	M20	140	46	22	18	40
<b>P0070.200-150-A2</b>	M20	150	46	22	18	40
<b>P0070.200-160-A2</b>	M20	160	46	22	18	40
<b>P0070.240-080-A2</b>	M24	80	54	25	22	45
<b>P0070.240-090-A2</b>	M24	90	54	25	22	45
<b>P0070.240-100-A2</b>	M24	100	54	25	22	45
<b>P0070.240-110-A2</b>	M24	110	54	25	22	45
<b>P0070.240-120-A2</b>	M24	120	54	25	22	45
<b>P0070.240-130-A2</b>	M24	130	54	25	22	45
<b>P0070.240-140-A2</b>	M24	140	54	25	22	45
<b>P0070.240-150-A2</b>	M24	150	54	25	22	45
<b>P0070.240-160-A2</b>	M24	160	54	25	22	45



**P0070.A4**



### Material

Stainless steel (A4, AISI 316).

### Technical Notes

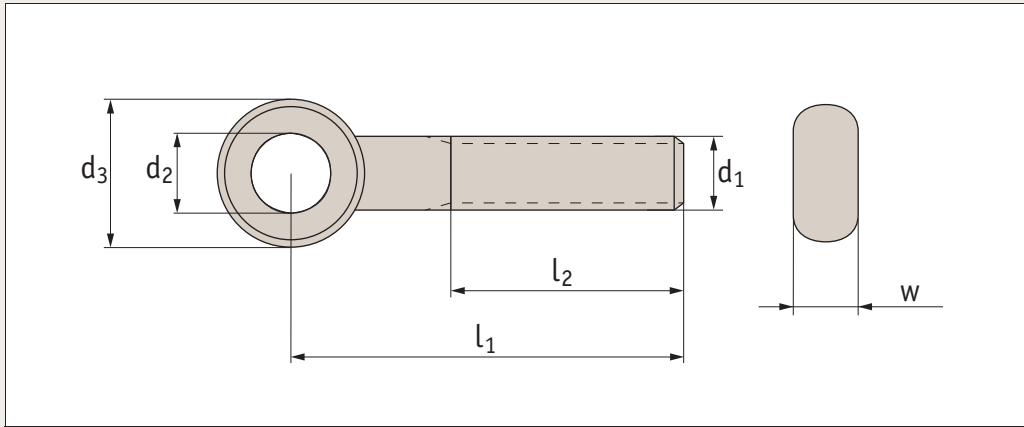
To DIN 444 B.

Order no.	d <sub>1</sub> H <sub>9</sub>	l <sub>1</sub>	l <sub>2</sub>	w <sub>max.</sub>	d <sub>2</sub> H <sub>7</sub>	d <sub>3</sub>
<b>P0070.060-030-A4</b>	M 6	30	18	7	6	14
<b>P0070.060-040-A4</b>	M 6	40	18	7	6	14
<b>P0070.060-050-A4</b>	M 6	50	18	7	6	14
<b>P0070.060-060-A4</b>	M 6	60	18	7	6	14
<b>P0070.080-030-A4</b>	M 8	30	22	9	8	18
<b>P0070.080-040-A4</b>	M 8	40	22	9	8	18
<b>P0070.080-050-A4</b>	M 8	50	22	9	8	18
<b>P0070.080-060-A4</b>	M 8	60	22	9	8	18
<b>P0070.080-070-A4</b>	M 8	70	22	9	8	18
<b>P0070.080-080-A4</b>	M 8	80	22	9	8	18
<b>P0070.080-090-A4</b>	M 8	90	22	9	8	18
<b>P0070.080-100-A4</b>	M 8	100	22	9	8	18
<b>P0070.100-040-A4</b>	M10	40	26	12	10	20
<b>P0070.100-050-A4</b>	M10	50	26	12	10	20
<b>P0070.100-060-A4</b>	M10	60	26	12	10	20
<b>P0070.100-070-A4</b>	M10	70	26	12	10	20
<b>P0070.100-080-A4</b>	M10	80	26	12	10	20
<b>P0070.100-090-A4</b>	M10	90	26	12	10	20
<b>P0070.100-100-A4</b>	M10	100	26	12	10	20
<b>P0070.120-040-A4</b>	M12	40	30	14	12	25
<b>P0070.120-050-A4</b>	M12	50	30	14	12	25
<b>P0070.120-060-A4</b>	M12	60	30	14	12	25

Order no.	d <sub>1</sub> H <sub>9</sub>	l <sub>1</sub>	l <sub>2</sub>	w <sub>max.</sub>	d <sub>2</sub> H <sub>7</sub>	d <sub>3</sub>
<b>P0070.120-070-A4</b>	M12	70	30	14	12	25
<b>P0070.120-080-A4</b>	M12	80	30	14	12	25
<b>P0070.120-090-A4</b>	M12	90	30	14	12	25
<b>P0070.120-100-A4</b>	M12	100	30	14	12	25
<b>P0070.120-120-A4</b>	M12	120	30	14	12	25
<b>P0070.120-130-A4</b>	M12	130	30	14	12	25
<b>P0070.120-150-A4</b>	M12	150	30	14	12	25
<b>P0070.160-070-A4</b>	M16	70	38	17	16	32
<b>P0070.160-080-A4</b>	M16	80	38	17	16	32
<b>P0070.160-090-A4</b>	M16	100	38	17	16	32
<b>P0070.160-100-A4</b>	M16	110	38	17	16	32
<b>P0070.160-120-A4</b>	M16	130	38	17	16	32
<b>P0070.160-130-A4</b>	M16	140	38	17	16	32
<b>P0070.200-080-A4</b>	M20	80	46	22	18	40
<b>P0070.200-090-A4</b>	M20	90	46	22	18	40
<b>P0070.200-100-A4</b>	M20	100	46	22	18	40
<b>P0070.200-120-A4</b>	M20	120	46	22	18	40
<b>P0070.240-100-A4</b>	M24	100	54	25	22	45
<b>P0070.240-120-A4</b>	M24	120	54	25	22	45
<b>P0070.240-140-A4</b>	M24	140	54	25	22	45



## P0070.SC



### Material

Steel, self-colour (class 4.6).

### Technical Notes

To DIN 444 B.

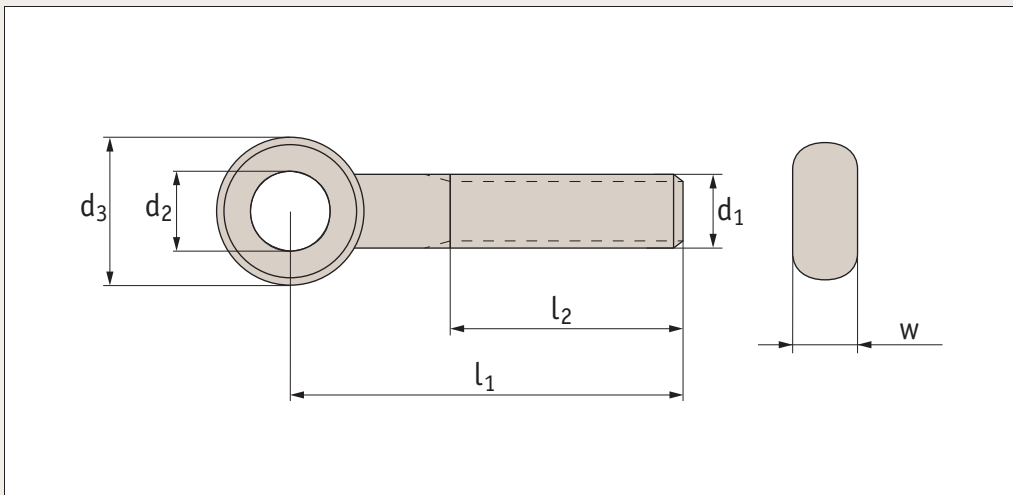
Order no.	d <sub>1</sub>	l <sub>1</sub>	l <sub>2</sub>	w <sub>max.</sub>	d <sub>2</sub> H7	d <sub>3</sub>
<b>P0070.060-030-SC</b>	M 6	30	18	7	6	14
<b>P0070.060-040-SC</b>	M 6	40	18	7	6	14
<b>P0070.060-050-SC</b>	M 6	50	18	7	6	14
<b>P0070.060-060-SC</b>	M 6	60	18	7	6	14
<b>P0070.080-030-SC</b>	M 8	30	22	9	8	18
<b>P0070.080-040-SC</b>	M 8	40	22	9	8	18
<b>P0070.080-050-SC</b>	M 8	50	22	9	8	18
<b>P0070.080-060-SC</b>	M 8	60	22	9	8	18
<b>P0070.080-070-SC</b>	M 8	70	22	9	8	18
<b>P0070.080-080-SC</b>	M 8	80	22	9	8	18
<b>P0070.080-090-SC</b>	M 8	90	22	9	8	18
<b>P0070.080-100-SC</b>	M 8	100	22	9	8	18
<b>P0070.080-120-SC</b>	M 8	120	22	9	8	18
<b>P0070.100-040-SC</b>	M10	40	26	12	10	20
<b>P0070.100-050-SC</b>	M10	50	26	12	10	20
<b>P0070.100-060-SC</b>	M10	60	26	12	10	20
<b>P0070.100-070-SC</b>	M10	70	26	12	10	20
<b>P0070.100-080-SC</b>	M10	80	26	12	10	20
<b>P0070.100-090-SC</b>	M10	90	26	12	10	20
<b>P0070.100-100-SC</b>	M10	100	26	12	10	20
<b>P0070.100-120-ZP</b>	M10	120	26	12	10	20
<b>P0070.120-040-SC</b>	M12	40	30	14	12	25
<b>P0070.120-050-SC</b>	M12	50	30	14	12	25
<b>P0070.120-060-SC</b>	M12	60	30	14	12	25
<b>P0070.120-070-SC</b>	M12	70	30	14	12	25
<b>P0070.120-080-SC</b>	M12	80	30	14	12	25
<b>P0070.120-090-SC</b>	M12	90	30	14	12	25
<b>P0070.120-100-SC</b>	M12	100	30	14	12	25
<b>P0070.120-120-SC</b>	M12	120	30	14	12	25
<b>P0070.120-130-SC</b>	M12	130	30	14	12	25
<b>P0070.120-140-SC</b>	M12	140	30	14	12	25
<b>P0070.120-150-ZP</b>	M12	150	30	14	12	25
<b>P0070.160-060-SC</b>	M16	60	38	17	16	32
<b>P0070.160-070-SC</b>	M16	70	38	17	16	32

Order no.	d <sub>1</sub>	l <sub>1</sub>	l <sub>2</sub>	w <sub>max.</sub>	d <sub>2</sub> H7	d <sub>3</sub>
<b>P0070.160-080-SC</b>	M16	80	38	17	16	32
<b>P0070.160-090-SC</b>	M16	100	38	17	16	32
<b>P0070.160-100-SC</b>	M16	110	38	17	16	32
<b>P0070.160-120-SC</b>	M16	130	38	17	16	32
<b>P0070.160-130-SC</b>	M16	140	38	17	16	32
<b>P0070.160-140-SC</b>	M16	150	38	17	16	32
<b>P0070.160-150-ZP</b>	M16	150	38	17	16	32
<b>P0070.200-080-SC</b>	M20	80	46	22	18	40
<b>P0070.200-090-SC</b>	M20	90	46	22	18	40
<b>P0070.200-100-SC</b>	M20	100	46	22	18	40
<b>P0070.200-120-SC</b>	M20	120	46	22	18	40
<b>P0070.200-130-SC</b>	M20	130	46	22	18	40
<b>P0070.200-140-SC</b>	M20	140	46	22	18	40
<b>P0070.200-150-SC</b>	M20	150	46	22	18	40
<b>P0070.200-160-SC</b>	M20	160	46	22	18	40
<b>P0070.240-080-SC</b>	M24	80	54	25	22	45
<b>P0070.240-100-SC</b>	M24	100	54	25	22	45
<b>P0070.240-120-SC</b>	M24	120	54	25	22	45
<b>P0070.240-130-SC</b>	M24	130	54	25	22	45
<b>P0070.240-140-SC</b>	M24	140	54	25	22	45
<b>P0070.240-150-SC</b>	M24	150	54	25	22	45
<b>P0070.240-160-SC</b>	M24	160	54	25	22	45
<b>P0070.270-080-SC</b>	M27	120	60	27	18	40
<b>P0070.270-090-SC</b>	M27	140	60	27	18	40
<b>P0070.270-100-SC</b>	M27	160	60	27	18	40
<b>P0070.270-120-SC</b>	M27	180	60	27	18	40
<b>P0070.270-130-SC</b>	M27	200	60	27	18	40
<b>P0070.300-120-SC</b>	M30	120	66	30	22	45
<b>P0070.300-140-SC</b>	M30	140	66	30	22	45
<b>P0070.300-160-SC</b>	M30	160	66	30	22	45
<b>P0070.300-180-SC</b>	M30	180	66	30	22	45
<b>P0070.300-200-SC</b>	M30	200	66	30	22	45

# Swing Bolts

steel, zinc-plated

Threaded Spacers



**P0070.ZP**

## Material

Steel, zinc-plated (class 4.6).

## Technical Notes

To DIN 444 B.

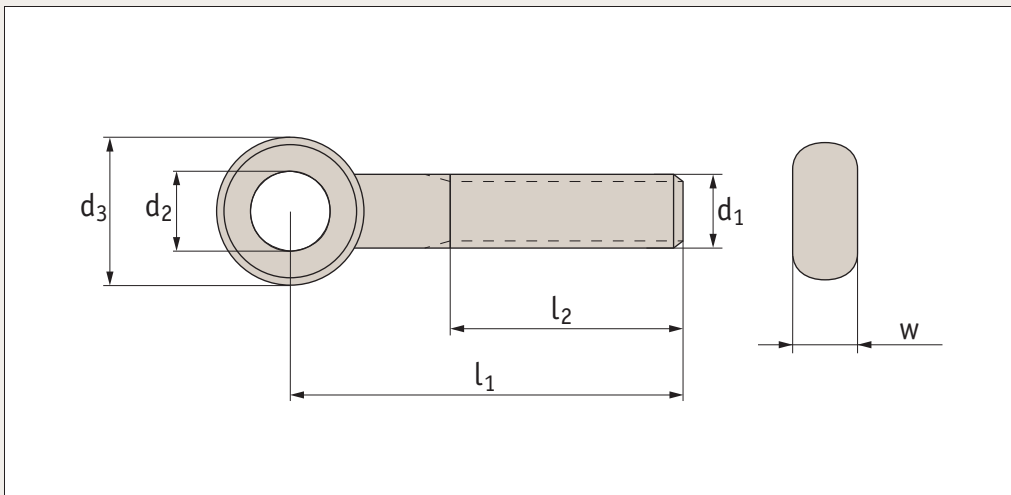
Order no.	d <sub>1</sub>	l <sub>1</sub>	l <sub>2</sub>	w <sub>max.</sub>	d <sub>2</sub> H7	d <sub>3</sub>
<b>P0070.060-030-ZP</b>	M 6	30	18	7	6	14
<b>P0070.060-040-ZP</b>	M 6	40	18	7	6	14
<b>P0070.060-050-ZP</b>	M 6	50	18	7	6	14
<b>P0070.080-040-ZP</b>	M 8	40	22	9	8	18
<b>P0070.080-050-ZP</b>	M 8	50	22	9	8	18
<b>P0070.080-060-ZP</b>	M 8	60	22	9	8	18
<b>P0070.080-080-ZP</b>	M 8	80	22	9	8	18
<b>P0070.100-040-ZP</b>	M10	40	26	12	10	20
<b>P0070.100-050-ZP</b>	M10	50	26	12	10	20
<b>P0070.100-060-ZP</b>	M10	60	26	12	10	20
<b>P0070.100-070-ZP</b>	M10	70	26	12	10	20
<b>P0070.100-080-ZP</b>	M10	80	26	12	10	20
<b>P0070.100-090-ZP</b>	M10	90	26	12	10	20
<b>P0070.100-100-ZP</b>	M10	100	26	12	10	20
<b>P0070.100-120-ZP</b>	M10	120	26	12	10	20
<b>P0070.120-060-ZP</b>	M12	60	30	14	12	25
<b>P0070.120-070-ZP</b>	M12	70	30	14	12	25
<b>P0070.120-080-ZP</b>	M12	80	30	14	12	25
<b>P0070.120-090-ZP</b>	M12	90	30	14	12	25

Order no.	d <sub>1</sub>	l <sub>1</sub>	l <sub>2</sub>	w <sub>max.</sub>	d <sub>2</sub> H7	d <sub>3</sub>
<b>P0070.120-100-ZP</b>	M12	100	30	14	12	25
<b>P0070.120-120-ZP</b>	M12	120	30	14	12	25
<b>P0070.120-140-ZP</b>	M12	140	30	14	12	25
<b>P0070.160-070-ZP</b>	M16	70	38	17	16	32
<b>P0070.160-080-ZP</b>	M16	80	38	17	16	32
<b>P0070.160-090-ZP</b>	M16	100	38	17	16	32
<b>P0070.160-100-ZP</b>	M16	110	38	17	16	32
<b>P0070.160-120-ZP</b>	M16	130	38	17	16	32
<b>P0070.160-140-ZP</b>	M16	140	38	17	16	32
<b>P0070.160-160-ZP</b>	M16	160	38	17	16	32
<b>P0070.160-180-ZP</b>	M16	180	38	17	16	32
<b>P0070.160-200-ZP</b>	M16	200	38	17	16	32
<b>P0070.200-100-ZP</b>	M20	100	46	22	18	40
<b>P0070.200-120-ZP</b>	M20	120	46	22	18	40
<b>P0070.200-140-ZP</b>	M20	140	46	22	18	40
<b>P0070.200-160-ZP</b>	M20	160	46	22	18	40
<b>P0070.200-180-ZP</b>	M20	180	46	22	18	40
<b>P0070.200-200-ZP</b>	M20	200	46	22	18	40

# Swing Bolts

brass

Threaded  
Spacers



**P0070.BR**

## Material

Brass.

## Technical Notes

To DIN 444 B.

Order no.	d <sub>1 H9</sub>	l <sub>1</sub>	l <sub>2</sub>	w <sub>max.</sub>	d <sub>2 H7</sub>	d <sub>3</sub>
<b>P0070.060-030-BR</b>	M 6	30	18	7	6	14
<b>P0070.060-040-BR</b>	M 6	40	18	7	6	14
<b>P0070.060-050-BR</b>	M 6	50	18	7	6	14
<b>P0070.060-060-BR</b>	M 6	60	18	7	6	14
<b>P0070.080-030-BR</b>	M 8	30	22	9	8	18
<b>P0070.080-040-BR</b>	M 8	40	22	9	8	18
<b>P0070.080-050-BR</b>	M 8	50	22	9	8	18
<b>P0070.080-060-BR</b>	M 8	60	22	9	8	18
<b>P0070.080-080-BR</b>	M 8	80	22	9	8	18
<b>P0070.080-100-BR</b>	M 8	100	22	9	8	18
<b>P0070.100-050-BR</b>	M10	50	26	12	10	20
<b>P0070.100-060-BR</b>	M10	60	26	12	10	20
<b>P0070.100-080-BR</b>	M10	80	26	12	10	20
<b>P0070.100-120-BR</b>	M10	100	26	12	10	20
<b>P0070.100-100-BR</b>	M10	120	26	12	10	20

Order no.	d <sub>1 H9</sub>	l <sub>1</sub>	l <sub>2</sub>	w <sub>max.</sub>	d <sub>2 H7</sub>	d <sub>3</sub>
<b>P0070.120-040-BR</b>	M12	40	30	14	12	25
<b>P0070.120-050-BR</b>	M12	50	30	14	12	25
<b>P0070.120-060-BR</b>	M12	60	30	14	12	25
<b>P0070.120-080-BR</b>	M12	80	30	14	12	25
<b>P0070.120-100-BR</b>	M12	100	30	14	12	25
<b>P0070.120-120-BR</b>	M12	120	30	14	12	25
<b>P0070.160-060-BR</b>	M16	60	38	17	16	32
<b>P0070.160-080-BR</b>	M16	80	38	17	16	32
<b>P0070.160-100-BR</b>	M16	110	38	17	16	32
<b>P0070.160-120-BR</b>	M16	130	38	17	16	32
<b>P0070.200-100-BR</b>	M20	100	46	22	18	40
<b>P0070.200-120-BR</b>	M20	120	46	22	18	40
<b>P0070.200-140-BR</b>	M20	140	46	22	18	40
<b>P0070.200-160-BR</b>	M20	160	46	22	18	40