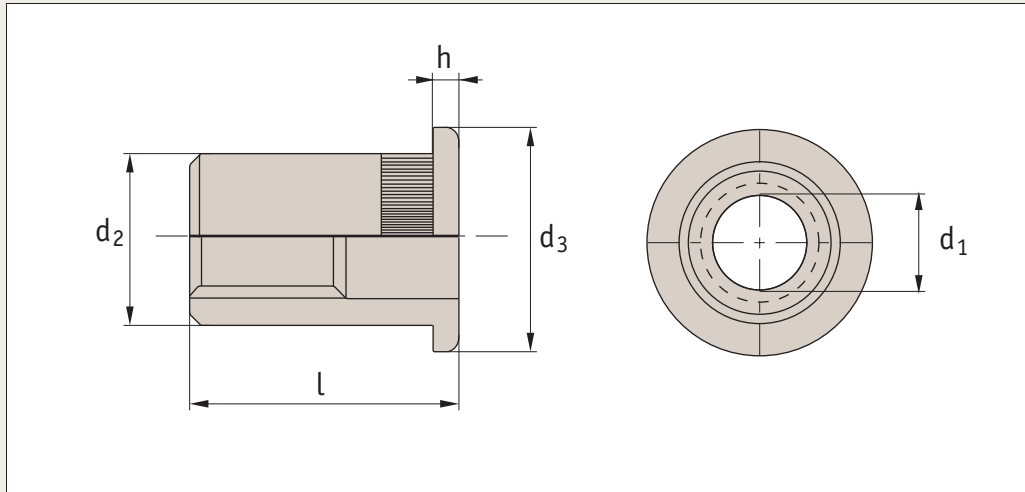




P0820.ZP



Material

Steel, zinc-plated.

Technical Notes

Knurled body type, plain available on request.

Flange head insert nuts are recommended for use in load bearing applications. The larger sized head acts as a reinforcement to the hole and provides resistance to push-

out.

The knurled body provides extra turning resistance and the head acts as a spacer.

Tips

Also known as blind rivet nuts or grip nuts.

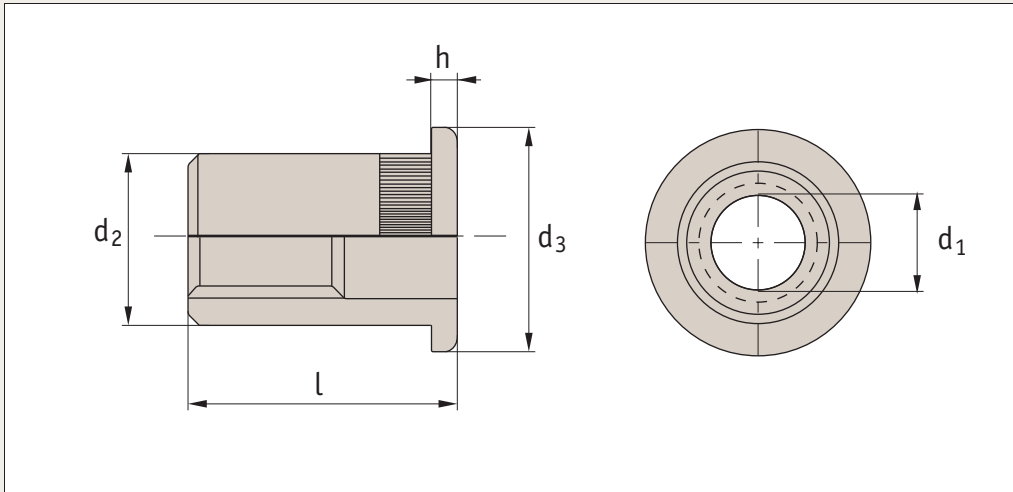
Order No.	d ₁	Grip Range	d _{2+0,-0.2}	d ₃	h	l
P0820.030-025-ZP	M 3	0,5-2,5	4,9	7,0	0,9	10,9
P0820.030-040-ZP	M 3	2,5-4,0	4,9	7,0	0,9	11,5
P0820.040-025-ZP	M 4	0,5-2,5	5,9	9,0	0,9	11,6
P0820.040-055-ZP	M 4	3,0-5,5	5,9	9,0	1,0	14,0
P0820.050-025-ZP	M 5	0,5-2,5	6,9	10,0	1,0	13,0
P0820.050-055-ZP	M 5	3,0-5,5	6,9	10,0	1,0	16,0
P0820.050-080-ZP	M 5	5,5-8,0	6,9	10,0	1,0	19,0
P0820.060-030-ZP	M 6	0,5-3,0	8,9	12,3	1,3	15,5
P0820.060-055-ZP	M 6	3,0-5,5	8,9	12,3	1,3	19,5
P0820.060-080-ZP	M 6	5,5-8,0	8,9	12,3	1,5	21,0
P0820.080-030-ZP	M 8	0,7-3,0	10,9	16,0	1,5	17,5
P0820.080-055-ZP	M 8	3,0-5,5	10,9	16,0	1,5	20,0

Order No.	d ₁	Grip Range	d _{2+0,-0.2}	d ₃	h	l
P0820.080-060-ZP	M 8	3,5-6,0	10,9	15,0	1,5	21,0
P0820.080-080-ZP	M 8	5,5-8,0	10,9	15,0	1,6	24,0
P0820.080-105-ZP	M 8	8,0-10,5	10,9	15,0	1,6	25,0
P0820.100-030-ZP	M10	1,0-3,0	11,9	16,0	2,0	19,0
P0820.100-060-ZP	M10	3,0-6,0	11,9	16,0	2,0	24,0
P0820.100-090-ZP	M10	6,0-9,0	11,9	16,0	2,0	27,0
P0820.100-120-ZP	M10	9,0-12,0	11,9	16,0	2,0	30,0
P0820.100-035-ZP	M10	1,0-3,5	12,9	19,0	2,0	21,0
P0820.100-060A-ZP	M10	3,5-6,0	12,9	19,0	2,0	23,5
P0820.120-040-ZP	M12	1,0-4,0	15,9	22,0	2,1	25,0
P0820.120-070-ZP	M12	4,0-7,0	15,9	22,0	2,1	28,0
P0820.120-100-ZP	M12	7,0-10,0	15,9	22,0	2,1	31,0

Flange Head Knurled Insert Nuts

A2 stainless

Rivets & Bushes



P0820.A2

Material

Stainless steel (A2, AISI 303).

Technical Notes

Knurled body type, plain available on request.
Flange head insert nuts are recommended for use in load bearing applications. The larger sized head acts as a reinforcement to the hole and provides resistance to push-

out.

The knurled body provides extra turning resistance and the head acts as a spacer.

Tips

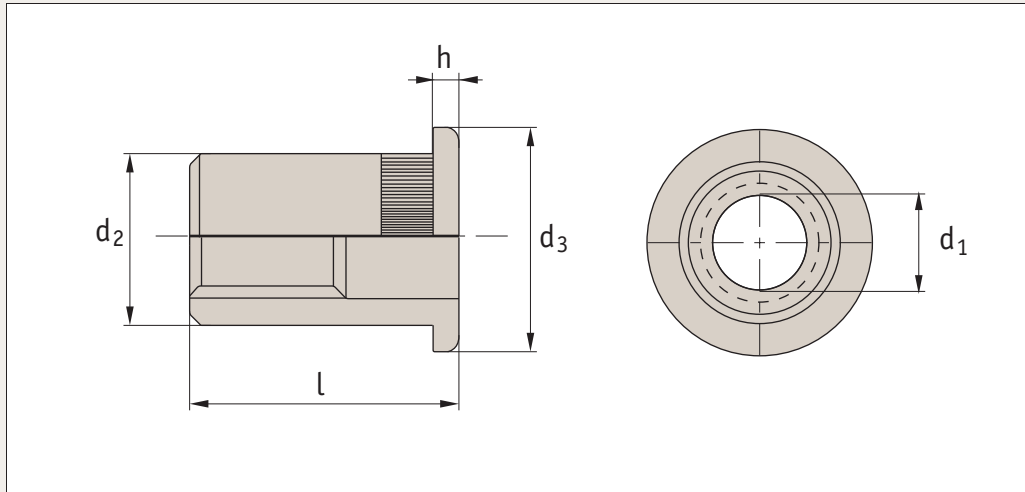
Also known as blind rivet nuts or grip nuts.

Order No.	d ₁	Grip Range	d _{2+0,-0.2}	d ₃	h	l
P0820.030-020-A2	M 3	0,5-2,0	4,9	8,0	0,8	9,8
P0820.040-025-A2	M 4	0,5-2,5	5,9	9,0	1,0	12,0
P0820.040-040-A2	M 4	2,5-4,0	5,9	9,0	1,0	13,5
P0820.050-025-A2	M 5	0,5-3,0	6,9	10,0	1,0	13,0
P0820.050-055-A2	M 5	3,0-5,5	6,9	10,0	1,0	16,0
P0820.060-030-A2	M 6	0,5-3,0	8,9	12,0	1,5	15,5
P0820.060-055-A2	M 6	3,0-5,5	8,9	12,0	1,5	18,5

Order No.	d ₁	Grip Range	d _{2+0,-0.2}	d ₃	h	l
P0820.080-030-A2	M 8	0,5-3,0	10,9	15,0	1,5	17,5
P0820.080-055-A2	M 8	3,0-5,5	10,9	15,0	1,5	20,0
P0820.100-035-A2	M10	1,0-3,5	12,9	17,0	2,0	21,0
P0820.100-060-A2	M10	3,5-6,0	12,9	17,0	2,0	23,5
P0820.120-040-A2	M12	1,0-4,0	15,9	23,0	2,0	25,0



P0820.AL



Material

Aluminium.

Technical Notes

Knurled body type, plain available on request.
 Flange head insert nuts are recommended for use in load bearing applications. The larger sized head acts as a reinforcement to the hole and provides resistance to push-

out.

The knurled body provides extra turning resistance and the head acts as a spacer.

Tips

Also known as blind rivet nuts or grip nuts.

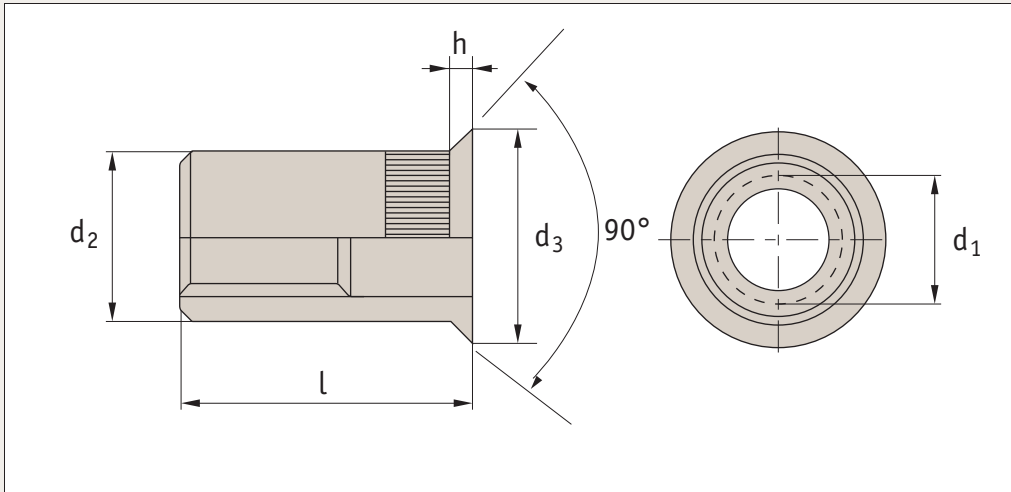
Order No.	d_1	Grip Range	$d_{2+0,-0.2}$	d_3	h	l
P0820.030-025-AL	M 3	0,5-2,5	4,9	7,0	0,8	10,5
P0820.030-035-AL	M 3	2,5-3,5	4,9	7,0	0,8	11,5
P0820.040-030-AL	M 4	0,5-3,0	5,9	9,0	1,0	11,0
P0820.040-045-AL	M 4	3,0-4,0	5,9	9,0	1,0	14,0
P0820.050-025-AL	M 5	0,5-3,0	6,9	10,0	1,0	13,0
P0820.050-055-AL	M 5	3,0-5,5	6,9	10,0	1,0	16,0
P0820.050-080-AL	M 5	5,5-8,0	6,9	10,0	1,0	19,0
P0820.060-030-AL	M 6	0,5-3,0	8,9	12,0	1,5	16,0
P0820.060-055-AL	M 6	3,0-5,5	8,9	12,0	1,5	18,5
P0820.060-080-AL	M 6	5,5-8,0	8,9	12,0	1,5	21,0

Order No.	d_1	Grip Range	$d_{2+0,-0.2}$	d_3	h	l
P0820.080-030-AL	M 8	0,5-3,0	10,9	15,0	1,5	17,5
P0820.080-055-AL	M 8	3,0-5,5	10,9	15,0	1,5	20,0
P0820.080-080-AL	M 8	5,5-8,0	10,9	15,0	1,5	22,5
P0820.080-105-AL	M 8	8,0-10,5	10,9	15,0	1,5	25,0
P0820.100-030-AL	M10	0,5-3,0	11,9	16,0	2,0	19,0
P0820.100-060-AL	M10	3,0-6,0	11,9	16,0	2,0	24,0
P0820.100-090-AL	M10	6,0-9,0	11,9	16,0	2,0	27,0
P0820.100-120-AL	M10	9,0-12,0	11,9	16,0	2,0	30,0
P0820.120-040-AL	M12	1,0-4,0	15,9	22,0	2,0	25,0
P0820.120-070-AL	M12	4,0-7,0	15,9	22,0	2,0	28,0
P0820.120-100-AL	M12	7,0-10,0	15,9	22,0	2,0	31,0

Countersunk Insert Nuts

steel, zinc-plated

Rivets & Bushes



P0821.ZP

Material

Steel, zinc-plated.

Technical Notes

Knurled body type.

The countersunk head is a stronger type of head and will ensure a flush finish in a countersunk hole. The knurled body provides extra turning resistance.

Tips

Also known as blind rivet nuts or grip nuts.

Important Notes

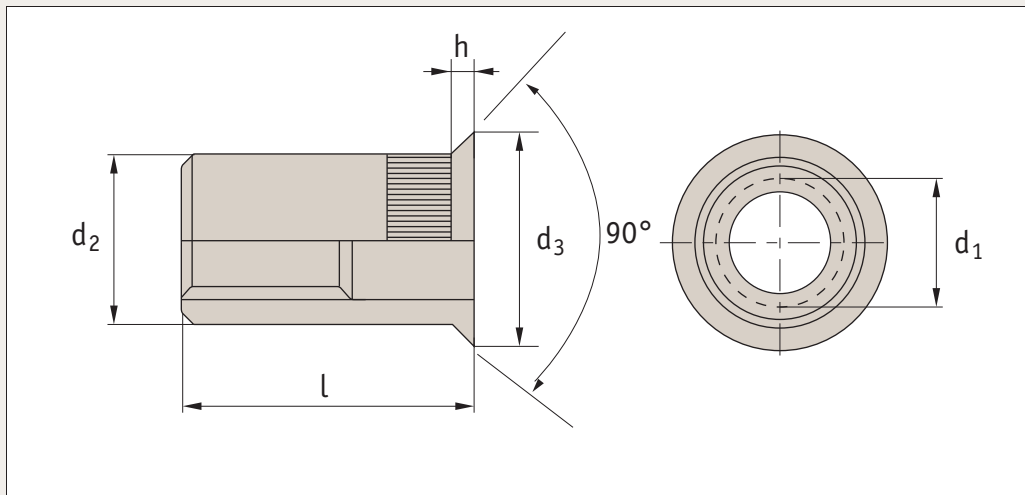
Lip Height:
 M3-M8: $0 < 1.5$
 M10: $1.5 < 1.7$
 M12: $1.7 < 1.9$

Order No.	d ₁	Grip Range	d _{2+0,-0.2}	d ₃	h	l
P0821.030-035-ZP	M 3	1,5-3,5	4,9	7,5	1,5	11,5
P0821.030-050-ZP	M 3	3,5-5,0	4,9	7,5	1,5	12,5
P0821.040-035-ZP	M 4	1,5-3,5	5,9	8,5	1,5	12,0
P0821.040-065-ZP	M 4	3,5-6,5	5,9	8,5	1,5	15,0
P0821.050-040-ZP	M 5	1,5-4,0	6,9	9,5	1,5	13,0
P0821.050-065-ZP	M 5	4,0-6,5	6,9	9,5	1,5	16,0
P0821.050-090-ZP	M 5	6,5-9,0	6,9	9,5	1,5	18,5
P0821.060-040-ZP	M 6	1,5-4,0	8,9	11,5	1,5	15,5
P0821.060-065-ZP	M 6	4,0-6,5	8,9	11,5	1,5	18,0
P0821.060-090-ZP	M 6	6,5-9,0	8,9	11,5	1,5	20,5

Order No.	d ₁	Grip Range	d _{2+0,-0.2}	d ₃	h	l
P0821.080-045-ZP	M 8	1,7-4,5	10,9	13,5	1,5	18,5
P0821.080-065-ZP	M 8	4,0-6,5	10,9	13,5	1,5	21,0
P0821.080-090-ZP	M 8	6,5-9,0	10,9	13,5	1,5	23,5
P0821.100-045-ZP	M10	2,0-4,5	11,9	14,5	1,7	21,0
P0821.100-075-ZP	M10	4,5-7,5	11,9	14,5	1,7	24,0
P0821.100-105-ZP	M10	7,5-10,5	11,9	14,5	1,7	27,0
P0821.120-045-ZP	M12	2,0-4,5	15,9	19,0	1,9	24,5
P0821.120-075-ZP	M12	4,5-7,5	15,9	19,0	1,9	27,5
P0821.120-105-ZP	M12	7,5-10,5	15,9	19,0	1,9	31,0



P0821.A2



Material

Stainless steel (A2, AISI 303).

Technical Notes

Knurled body type, plain available on request.
The countersunk head is a stronger type of head and will ensure a flush finish in a countersunk hole. The knurled body provides extra turning resistance.

Tips

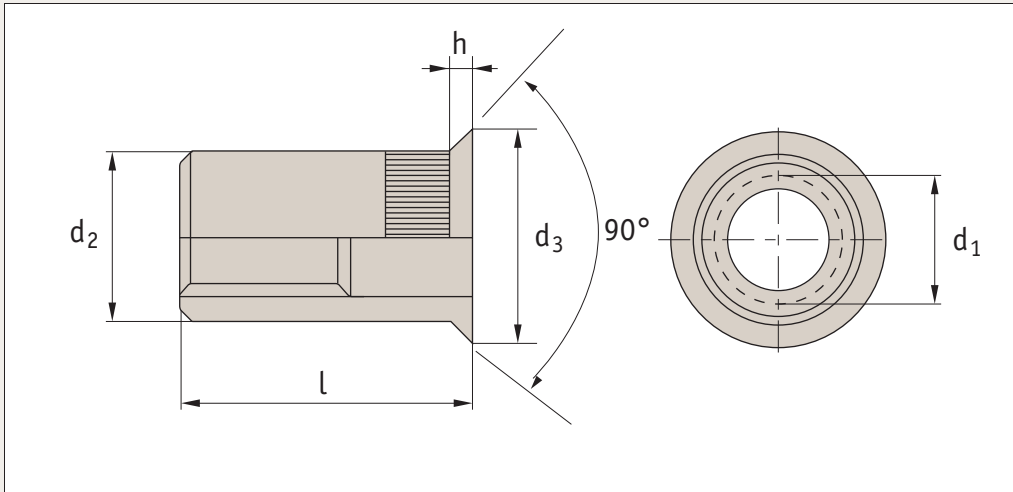
Also known as blind rivet nuts or grip nuts.

Important Notes

Lip Height:
M3-M8: $0 < 1.5$
M10: $1.5 < 1.7$
M12: $1.7 < 1.9$

Order No.	d ₁	Grip Range	d _{2+0,-0.2}	d ₃	h	l
P0821.030-035-A2	M 3	1,5-3,5	4,9	7,5	1,5	11,5
P0821.040-040-A2	M 4	1,5-4,0	5,9	8,5	1,5	12,5
P0821.050-040-A2	M 5	1,5-4,0	6,9	9,5	1,5	13,5
P0821.050-065-A2	M 5	4,0-6,5	6,9	9,5	1,5	16,0
P0821.060-045-A2	M 6	1,5-4,5	8,9	11,5	1,5	16,0
P0821.060-065-A2	M 6	4,0-6,5	8,9	11,5	1,5	18,0

Order No.	d ₁	Grip Range	d _{2+0,-0.2}	d ₃	h	l
P0821.080-040-A2	M 8	1,5-4,0	10,9	13,5	1,5	18,0
P0821.080-065-A2	M 8	4,0-6,5	10,9	13,5	1,5	21,0
P0821.100-045-A2	M10	2,0-4,5	12,9	15,5	1,8	21,0
P0821.100-075-A2	M10	4,5-7,5	12,9	15,5	1,8	24,0
P0821.120-045-A2	M12	2,0-4,5	15,9	19,0	2,0	24,5
P0821.120-075-A2	M12	4,5-7,5	15,9	19,0	2,0	27,5



P0821.AL

Material

Aluminium.

Technical Notes

Knurled body type, plain available on request.

The countersunk head is a stronger type of head and will ensure a flush finish in a countersunk hole. The knurled body provides extra turning resistance.

Tips

Also known as blind rivet nuts or grip nuts.

Important Notes

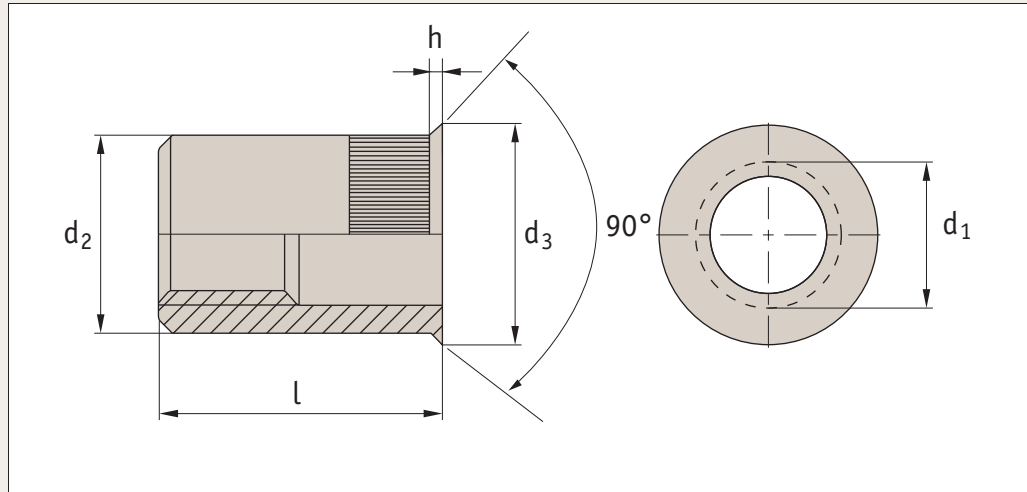
Lip Height:
 M3-M8: 0<1.5
 M10: 1.5<1.7
 M12: 1.7<1.9

Order No.	d ₁	Grip Range	d _{2+0,-0.2}	d ₃	h	l
P0821.030-035-AL	M 3	1,5-3,5	4,9	7,5	1,5	11,5
P0821.030-045-AL	M 3	3,5-4,5	4,9	7,5	1,5	12,5
P0821.040-040-AL	M 4	1,5-4,0	5,9	8,5	1,5	12,5
P0821.040-055-AL	M 4	4,0-5,5	5,9	8,5	1,5	15,0
P0821.050-040-AL	M 5	1,5-4,0	6,9	9,5	1,5	13,5
P0821.050-065-AL	M 5	4,0-6,5	6,9	9,5	1,5	16,0
P0821.050-090-AL	M 5	6,5-9,0	6,9	9,5	1,5	18,5
P0821.060-040-AL	M 6	1,5-4,0	8,9	11,5	1,5	15,5
P0821.060-065-AL	M 6	4,0-6,5	8,9	11,5	1,5	18,0
P0821.060-090-AL	M 6	6,5-9,0	8,9	11,5	1,5	20,5

Order No.	d ₁	Grip Range	d _{2+0,-0.2}	d ₃	h	l
P0821.080-040-AL	M 8	1,5-4,0	10,9	13,5	1,5	18,5
P0821.080-065-AL	M 8	4,0-6,5	10,9	13,5	1,5	21,0
P0821.080-090-AL	M 8	6,5-9,0	10,9	13,5	1,5	23,5
P0821.100-045-AL	M10	2,0-4,5	11,9	14,5	1,7	21,0
P0821.100-075-AL	M10	4,5-7,5	11,9	14,5	1,7	24,0
P0821.100-105-AL	M10	7,5-10,5	11,9	14,5	1,7	27,0
P0821.120-045-AL	M12	2,0-4,5	15,9	19,0	1,9	24,5
P0821.120-075-AL	M12	4,5-7,5	15,9	19,0	1,9	27,5
P0821.120-105-AL	M12	7,5-10,5	15,9	19,0	1,9	31,0



P0824.ZP



Material

Steel, zinc-plated.

Technical Notes

Knurled body type, plain available on request.
Provides near flush installation in thin materials.
The knurled body provides extra turning resistance.

Tips

Also known as blind rivet nuts or grip nuts.

Important Notes

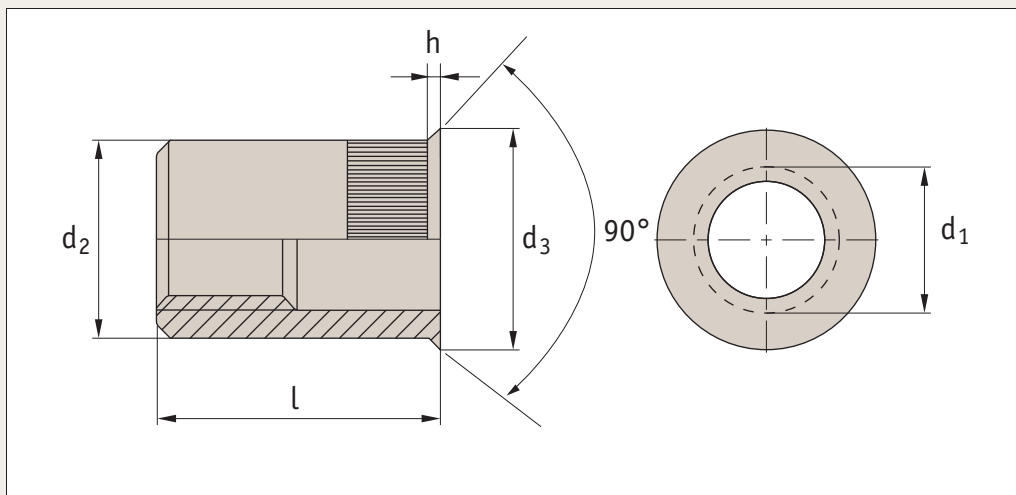
Reduced height head.
M3-M8: $0 < 0.7$
M10: $0.7 < 0.9$

Order No.	d ₁	Grip Range	d _{2+0,-0.2}	d ₃	h	l
P0824.030-020-ZP	M 3	0,5-2,0	4,9	6,0	0,5	9,0
P0824.040-025-ZP	M 4	0,5-2,5	5,9	6,7	0,5	11,3
P0824.040-040-ZP	M 4	2,0-4,0	5,9	7,0	0,5	13,0
P0824.050-030-ZP	M 5	0,5-3,0	6,9	8,0	0,5	12,0
P0824.050-040-ZP	M 5	2,0-4,0	6,9	8,0	0,5	13,0
P0824.060-030-ZP	M 6	0,5-3,0	8,9	10,0	0,6	14,0
P0824.060-045-ZP	M 6	2,5-4,5	8,9	10,0	0,6	16,0

Order No.	d ₁	Grip Range	d _{2+0,-0.2}	d ₃	h	l
P0824.080-038-ZP	M 8	0,5-3,8	10,9	12,0	0,6	17,3
P0824.080-050-ZP	M 8	3,0-5,0	10,9	12,0	0,6	18,5
P0824.100-035-ZP	M10	0,7-3,5	11,9	13,0	0,7	20,0
P0824.100-035A-ZP	M10	0,7-3,5	12,9	14,0	0,8	21,0
P0824.100-060-ZP	M10	3,5-6,0	12,9	14,0	0,8	22,0
P0824.120-035-ZP	M12	1,0-3,5	15,9	17,0	1,0	24,2



P0824.A4



Material

Stainless steel (A4, AISI 316).

Technical Notes

Plain body type.

Provides near flush installation in thin materials.

Tips

Also known as blind rivet nuts or grip nuts.

Important Notes

Reduced height head.

M3-M8: 0<0.7

M10: 0.7<0.9

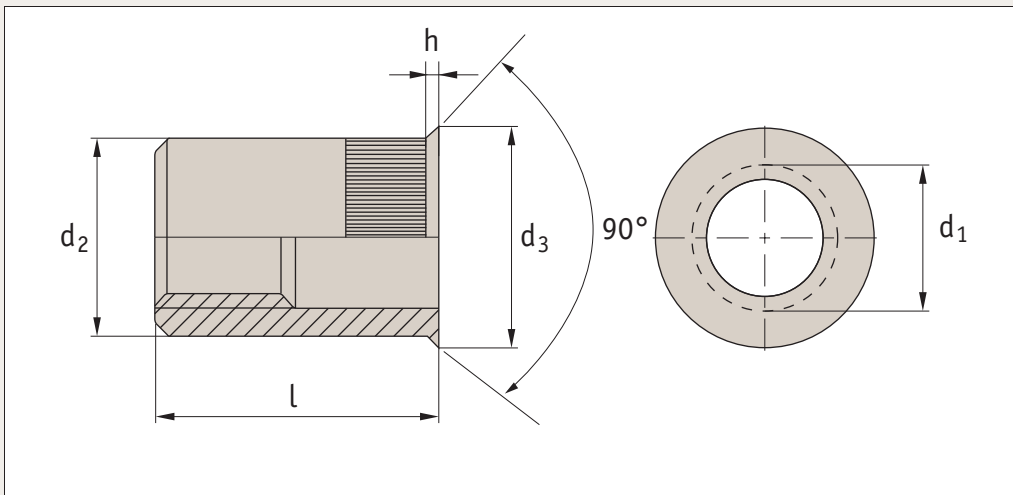
Order No.	d ₁	Grip Range	d _{2+0,-0.2}	d ₃	h	l
P0824.040-020-A4	M 4	0,5-2,0	6,0	6,5	0,5	11,0
P0824.050-030-A4	M 5	0,5-3,0	7,0	7,5	0,5	12,0

Order No.	d ₁	Grip Range	d _{2+0,-0.2}	d ₃	h	l
P0824.060-030-A4	M 6	0,5-3,0	9,0	9,50	0,5	14,5
P0824.080-030-A4	M 8	0,5-3,0	11,0	11,5	0,5	16,0

Reduced C'snk Head Insert Nuts

aluminium

Rivets & Bushes



P0824.AL

Material

Aluminium.

Technical Notes

Knurled body type, plain available on request.
Provides near flush installation in thin materials.
The knurled body provides extra turning resistance.

Tips

Also known as blind rivet nuts or grip nuts.

Important Notes

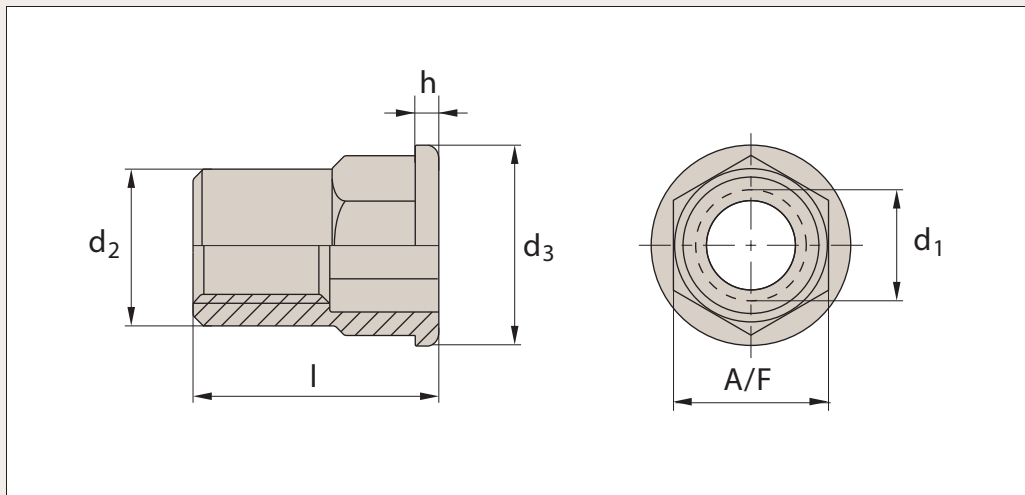
Reduced height head.
M3-M8: $0 < 0.7$
M10: $0.7 < 0.9$

Order No.	d ₁	Grip Range	d _{2+0,-0.2}	d ₃	h	l
P0824.030-025-AL	M3	0,5-2,5	4,9	6,0	0,6	9,5
P0824.040-030-AL	M4	0,5-3,0	5,9	7,0	0,6	10,0
P0824.050-030-AL	M5	0,5-3,0	6,9	8,0	0,6	11,5

Order No.	d ₁	Grip Range	d _{2+0,-0.2}	d ₃	h	l
P0824.060-030-AL	M6	0,5-3,0	8,9	10,0	0,6	14,0
P0824.080-030-AL	M8	0,5-3,0	10,9	12,0	0,6	15,5



P0823.A2



Material

Stainless steel (A2, AISI 303).

Technical Notes

Plain body type.

Hexagon body insert nuts prevent the problem of a nut turning after being installed. Flange head insert nuts are

recommended for use in load bearing applications. The larger sized head acts as a reinforcement to the hole, provides resistance to push-out and acts as a spacer.

Tips

Also known as blind rivet nuts or grip nuts.

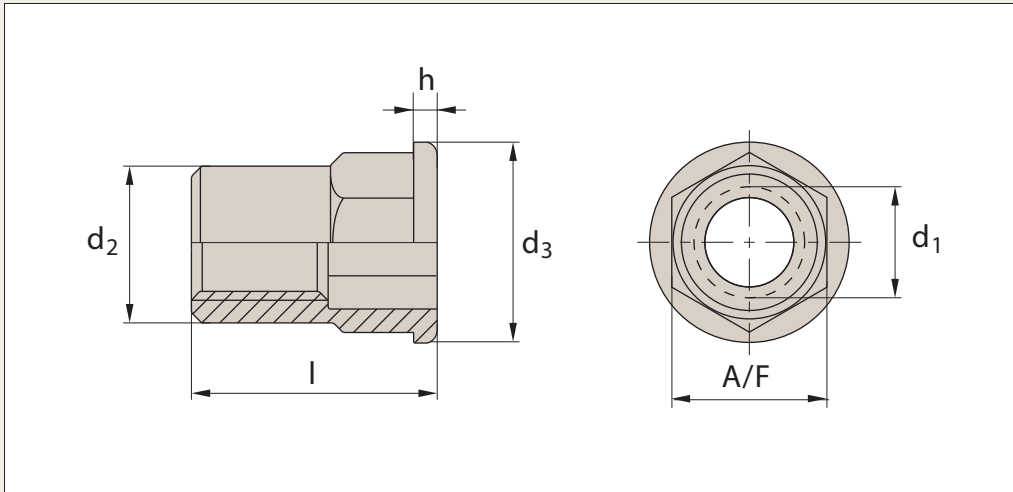
Order No.	d ₁	Grip Range	A/F	d ₂	h	l
P0823.040-025-A2	M 4	0,5-2,5	6,0	9,0	1,0	11,5
P0823.050-030-A2	M 5	0,5-3,0	7,0	10,0	1,0	13,0
P0823.060-030-A2	M 6	0,5-3,0	9,0	12,0	1,5	15,5

Order No.	d ₁	Grip Range	A/F	d ₂	h	l
P0823.080-030-A2	M 8	0,5-3,0	11,0	14,5	1,5	17,5
P0823.100-035-A2	M10	1,0-3,5	13,0	16,5	2,0	21,5

Flat Half Hex Insert Nuts

A4 stainless

Rivets & Bushes



P0823.A4

Material

Stainless steel (A4, AISI 316).

Technical Notes

Plain body type.

Hexagon body insert nuts prevent the problem of a nut turning after being installed. Flange head insert nuts are

recommended for use in load bearing applications. The larger sized head acts as a reinforcement to the hole, provides resistance to push-out and acts as a spacer.

Tips

Also known as blind rivet nuts or grip nuts.

Order No.	d ₁	Grip Range	A/F	d ₂	h	l
P0823.040-025-A4	M4	0,5-2,5	6,0	9,0	1,0	12,0
P0823.050-030-A4	M5	0,5-3,0	7,0	10,0	1,0	12,5

Order No.	d ₁	Grip Range	A/F	d ₂	h	l
P0823.060-030-A4	M6	0,5-3,0	9,0	12,0	1,5	16,0
P0823.080-030-A4	M8	0,5-3,0	11,0	15,0	1,5	17,5