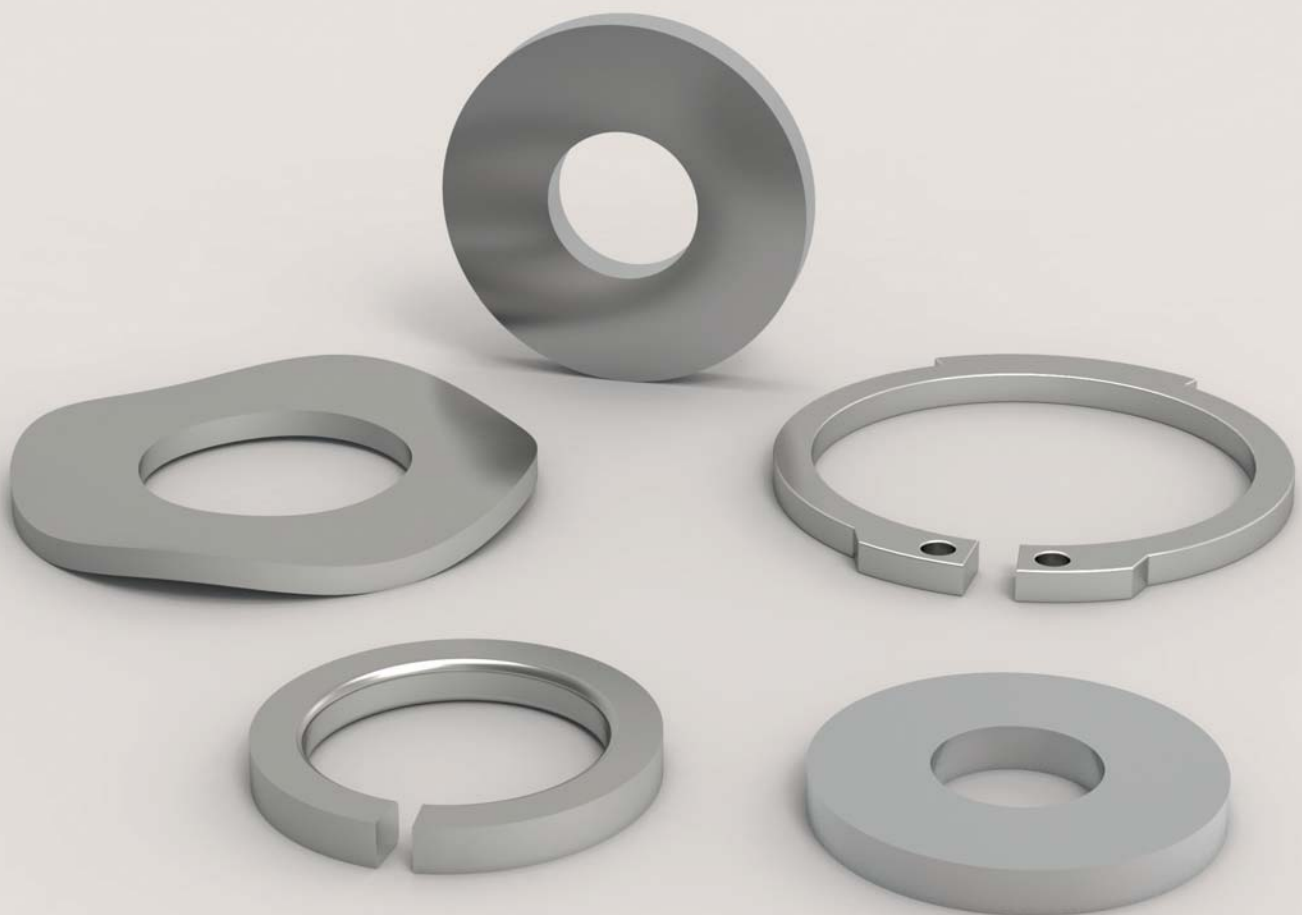
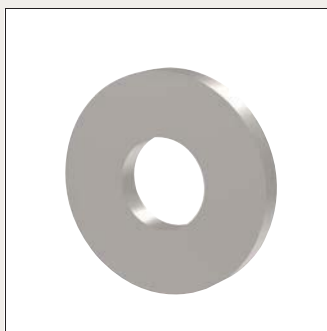
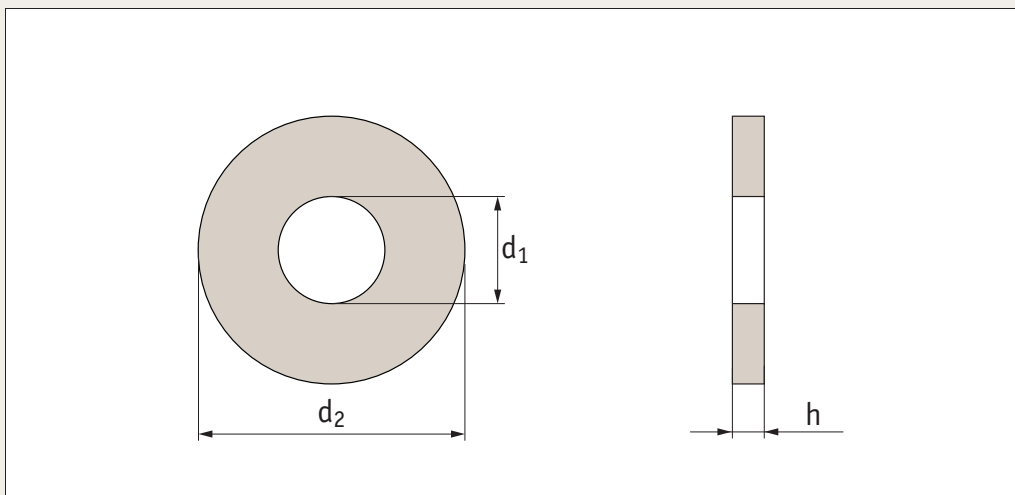


Washers & Circlips





P0330



Material

Stainless steel (A2 & A4), steel (zinc-plated & self-colour), brass and nylon.

Technical Notes

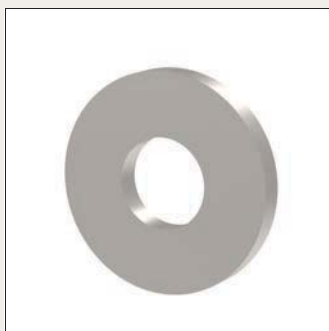
To DIN 125 A.

Order No.	For thread	d ₁	d ₂	h	Material
P0330.016-A2	M1,6	1,7	4	0,3	A2 s/s
P0330.020-A2	M 2	2,2	5	0,3	A2 s/s
P0330.023-A2	M2,3	2,5	6	0,5	A2 s/s
P0330.025-A2	M2,5	2,7	6	0,5	A2 s/s
P0330.030-A2	M 3	3,2	7	0,5	A2 s/s
P0330.035-A2	M3,5	3,7	8	0,5	A2 s/s
P0330.040-A2	M 4	4,3	9	0,8	A2 s/s
P0330.050-A2	M 5	5,3	10	1,0	A2 s/s
P0330.060-A2	M 6	6,4	12	1,6	A2 s/s
P0330.070-A2	M 7	7,4	14	1,6	A2 s/s
P0330.080-A2	M 8	8,4	16	1,6	A2 s/s
P0330.100-A2	M10	10,5	20	2,0	A2 s/s
P0330.120-A2	M12	13,0	24	2,5	A2 s/s
P0330.140-A2	M14	15,0	28	2,5	A2 s/s
P0330.160-A2	M16	17,0	30	3,0	A2 s/s
P0330.180-A2	M18	19,0	34	3,0	A2 s/s
P0330.200-A2	M20	21,0	37	3,0	A2 s/s
P0330.220-A2	M22	23,0	39	3,0	A2 s/s
P0330.240-A2	M24	25,0	44	4,0	A2 s/s
P0330.270-A2	M27	28,0	50	4,0	A2 s/s
P0330.300-A2	M30	31,0	56	4,0	A2 s/s
P0330.016-A4	M1,6	1,7	4	0,3	A4 s/s
P0330.020-A4	M 2	2,2	5	0,3	A4 s/s
P0330.023-A4	M2,3	2,5	6	0,5	A4 s/s
P0330.025-A4	M2,5	2,7	6	0,5	A4 s/s
P0330.030-A4	M 3	3,2	7	0,5	A4 s/s
P0330.035-A4	M3,5	3,7	8	0,5	A4 s/s
P0330.040-A4	M 4	4,3	9	0,8	A4 s/s
P0330.050-A4	M 5	5,3	10	1,0	A4 s/s
P0330.060-A4	M 6	6,4	12	1,6	A4 s/s
P0330.070-A4	M 7	7,4	14	1,6	A4 s/s
P0330.080-A4	M 8	8,4	16	1,6	A4 s/s
P0330.100-A4	M10	10,5	20	2,0	A4 s/s

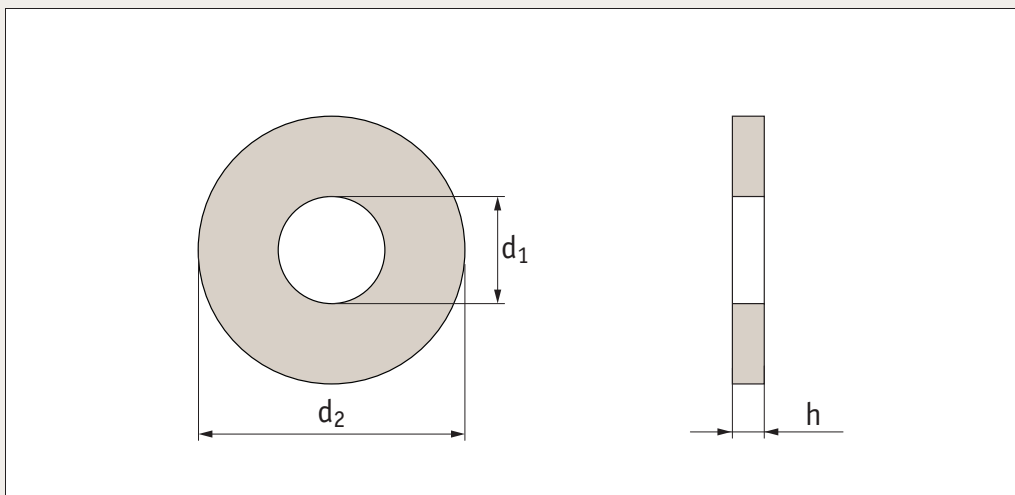
Order No.	For thread	d ₁	d ₂	h	Material
P0330.120-A4	M12	13,0	24	2,5	A4 s/s
P0330.140-A4	M14	15,0	28	2,5	A4 s/s
P0330.160-A4	M16	17,0	30	3,0	A4 s/s
P0330.180-A4	M18	19,0	34	3,0	A4 s/s
P0330.200-A4	M20	21,0	37	3,0	A4 s/s
P0330.220-A4	M22	23,0	39	3,0	A4 s/s
P0330.240-A4	M24	25,0	44	4,0	A4 s/s
P0330.270-A4	M27	28,0	50	4,0	A4 s/s
P0330.300-A4	M30	31,0	56	4,0	A4 s/s
P0330.016-ZP	M1,6	1,7	4	0,3	Steel ZP
P0330.020-ZP	M 2	2,2	5	0,3	Steel ZP
P0330.023-ZP	M2,3	2,5	6	0,5	Steel ZP
P0330.025-ZP	M2,5	2,7	6	0,5	Steel ZP
P0330.030-ZP	M 3	3,2	7	0,5	Steel ZP
P0330.035-ZP	M3,5	3,7	8	0,5	Steel ZP
P0330.040-ZP	M 4	4,3	9	0,8	Steel ZP
P0330.050-ZP	M 5	5,3	10	1,0	Steel ZP
P0330.060-ZP	M 6	6,4	12	1,6	Steel ZP
P0330.070-ZP	M 7	7,4	14	1,6	Steel ZP
P0330.080-ZP	M 8	8,4	16	1,6	Steel ZP
P0330.100-ZP	M10	10,5	20	2,0	Steel ZP
P0330.120-ZP	M12	13,0	24	2,5	Steel ZP
P0330.140-ZP	M14	15,0	28	2,5	Steel ZP
P0330.160-ZP	M16	17,0	30	3,0	Steel ZP
P0330.180-ZP	M18	19,0	34	3,0	Steel ZP
P0330.200-ZP	M20	21,0	37	3,0	Steel ZP
P0330.220-ZP	M22	23,0	39	3,0	Steel ZP
P0330.240-ZP	M24	25,0	44	4,0	Steel ZP
P0330.270-ZP	M27	28,0	50	4,0	Steel ZP
P0330.300-ZP	M30	31,0	56	4,0	Steel ZP
P0330.016-SC	M1,6	1,7	4	0,3	Steel SC
P0330.020-SC	M 2	2,2	5	0,3	Steel SC

Order No.	For thread	d ₁	d ₂	h	Material
P0330.023-SC	M2,3	2,5	6	0,5	Steel SC
P0330.025-SC	M2,5	2,7	6	0,5	Steel SC
P0330.030-SC	M 3	3,2	7	0,5	Steel SC
P0330.035-SC	M3,5	3,7	8	0,5	Steel SC
P0330.040-SC	M 4	4,3	9	0,8	Steel SC
P0330.050-SC	M 5	5,3	10	1,0	Steel SC
P0330.060-SC	M 6	6,4	12	1,6	Steel SC
P0330.070-SC	M 7	7,4	14	1,6	Steel SC
P0330.080-SC	M 8	8,4	16	1,6	Steel SC
P0330.100-SC	M10	10,5	20	2,0	Steel SC
P0330.120-SC	M12	13,0	24	2,5	Steel SC
P0330.140-SC	M14	15,0	28	2,5	Steel SC
P0330.160-SC	M16	17,0	30	3,0	Steel SC
P0330.180-SC	M18	19,0	34	3,0	Steel SC
P0330.200-SC	M20	21,0	37	3,0	Steel SC
P0330.220-SC	M22	23,0	39	3,0	Steel SC
P0330.240-SC	M24	25,0	44	4,0	Steel SC
P0330.270-SC	M27	28,0	50	4,0	Steel SC
P0330.300-SC	M30	31,0	56	4,0	Steel SC
P0330.020-BR	M 2	2,2	5	0,3	Brass
P0330.023-BR	M2,3	2,5	6	0,5	Brass

Order No.	For thread	d ₁	d ₂	h	Material
P0330.025-BR	M2,5	2,7	6	0,5	Brass
P0330.030-BR	M 3	3,2	7	0,5	Brass
P0330.035-BR	M3,5	3,7	8	0,5	Brass
P0330.040-BR	M 4	4,3	9	0,8	Brass
P0330.050-BR	M 5	5,3	10	1,0	Brass
P0330.060-BR	M 6	6,4	12	1,6	Brass
P0330.080-BR	M 8	8,4	16	1,6	Brass
P0330.100-BR	M10	10,5	20	2,0	Brass
P0330.025-NL	M2,5	2,7	6	0,5	Nylon
P0330.030-NL	M 3	3,2	7	0,5	Nylon
P0330.040-NL	M 4	4,3	9	0,8	Nylon
P0330.050-NL	M 5	5,3	10	1,0	Nylon
P0330.060-NL	M 6	6,4	12	1,6	Nylon
P0330.080-NL	M 8	8,4	16	1,6	Nylon
P0330.100-NL	M10	10,5	20	2,0	Nylon
P0330.120-NL	M12	13,0	24	2,5	Nylon
P0330.160-NL	M16	17,0	30	3,0	Nylon
P0330.200-NL	M20	21,0	37	3,0	Nylon
P0330.240-NL	M24	25,0	44	4,0	Nylon
P0330.300-NL	M30	31,0	56	4,0	Nylon



P0331



Material

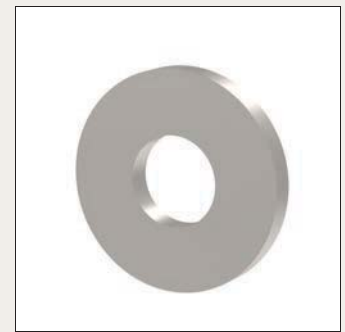
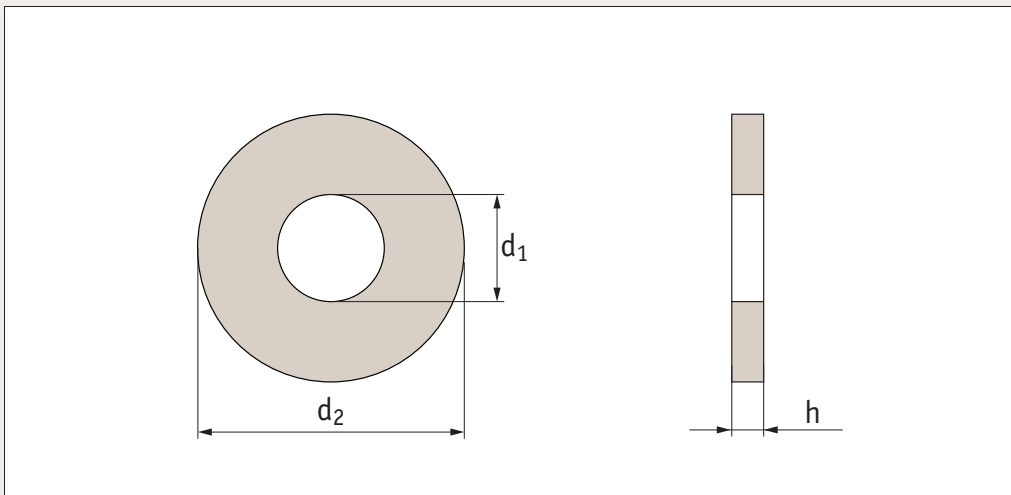
Stainless steel (A2 & A4), steel (zinc-plated), brass and nylon.

Technical Notes

To DIN 125 B, BS4320B.

Order No.	For thread	d ₁	d ₂	h	Material
P0331.050-A2	M 5	5,3	10	1,0	A2 s/s
P0331.060-A2	M 6	6,4	12	1,6	A2 s/s
P0331.070-A2	M 7	7,4	14	1,6	A2 s/s
P0331.080-A2	M 8	8,4	16	1,6	A2 s/s
P0331.100-A2	M10	10,5	20	2,0	A2 s/s
P0331.120-A2	M12	13,0	24	2,5	A2 s/s
P0331.140-A2	M14	15,0	28	2,5	A2 s/s
P0331.160-A2	M16	17,0	30	3,0	A2 s/s
P0331.180-A2	M18	19,0	34	3,0	A2 s/s
P0331.200-A2	M20	21,0	37	3,0	A2 s/s
P0331.220-A2	M22	23,0	39	3,0	A2 s/s
P0331.240-A2	M24	25,0	44	4,0	A2 s/s
P0331.270-A2	M27	28,0	50	4,0	A2 s/s
P0331.300-A2	M30	31,0	56	4,0	A2 s/s
P0331.050-A4	M 5	5,3	10	1,0	A4 s/s
P0331.060-A4	M 6	6,4	12	1,6	A4 s/s
P0331.070-A4	M 7	7,4	14	1,6	A4 s/s
P0331.080-A4	M 8	8,4	16	1,6	A4 s/s
P0331.100-A4	M10	10,5	20	2,0	A4 s/s
P0331.120-A4	M12	13,0	24	2,5	A4 s/s
P0331.140-A4	M14	15,0	28	2,5	A4 s/s
P0331.160-A4	M16	17,0	30	3,0	A4 s/s
P0331.180-A4	M18	19,0	34	3,0	A4 s/s
P0331.200-A4	M20	21,0	37	3,0	A4 s/s
P0331.220-A4	M22	23,0	39	3,0	A4 s/s
P0331.240-A4	M24	25,0	44	4,0	A4 s/s
P0331.270-A4	M27	28,0	50	4,0	A4 s/s
P0331.300-A4	M30	31,0	56	4,0	A4 s/s

Order No.	For thread	d ₁	d ₂	h	Material
P0331.050-ZP	M 5	5,3	10	1,0	Steel ZP
P0331.060-ZP	M 6	6,4	12	1,6	Steel ZP
P0331.070-ZP	M 7	7,4	14	1,6	Steel ZP
P0331.080-ZP	M 8	8,4	16	1,6	Steel ZP
P0331.100-ZP	M10	10,5	20	2,0	Steel ZP
P0331.120-ZP	M12	13,0	24	2,5	Steel ZP
P0331.140-ZP	M14	15,0	28	2,5	Steel ZP
P0331.160-ZP	M16	17,0	30	3,0	Steel ZP
P0331.180-ZP	M18	19,0	34	3,0	Steel ZP
P0331.200-ZP	M20	21,0	37	3,0	Steel ZP
P0331.220-ZP	M22	23,0	39	3,0	Steel ZP
P0331.240-ZP	M24	25,0	44	4,0	Steel ZP
P0331.270-ZP	M27	28,0	50	4,0	Steel ZP
P0331.300-ZP	M30	31,0	56	4,0	Steel ZP
P0331.050-BR	M 5	5,3	10	1,0	Brass
P0331.060-BR	M 6	6,4	12	1,6	Brass
P0331.070-BR	M 7	7,4	14	1,6	Brass
P0331.080-BR	M 8	8,4	16	1,6	Brass
P0331.100-BR	M10	10,5	20	2,0	Brass
P0331.120-BR	M12	13,0	24	2,5	Brass
P0331.140-BR	M14	15,0	28	2,5	Brass
P0331.160-BR	M16	17,0	30	3,0	Brass
P0331.180-BR	M18	19,0	34	3,0	Brass
P0331.200-BR	M20	21,0	37	3,0	Brass
P0331.220-BR	M22	23,0	39	3,0	Brass
P0331.240-BR	M24	25,0	44	4,0	Brass
P0331.270-BR	M27	28,0	50	4,0	Brass
P0331.300-BR	M30	31,0	56	4,0	Brass



P0332

Material

Stainless steel (A2 & A4) and steel, zinc-plated.

Technical Notes

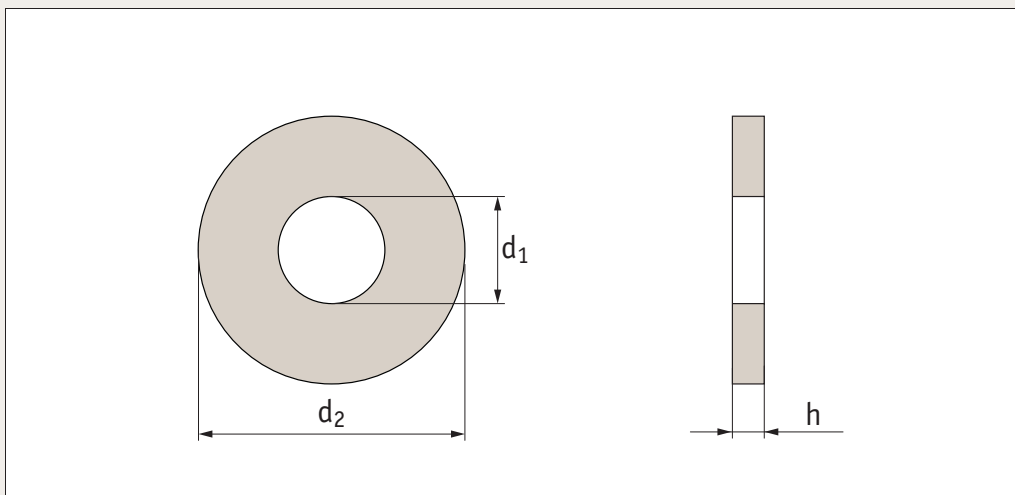
To DIN 125 C, BS4320C.

Order No.	For thread	d ₁	d ₂	h	Material
P0332.040-A2	M 4	4,3	9	0,8	A2 s/s
P0332.050-A2	M 5	5,3	10	1,0	A2 s/s
P0332.060-A2	M 6	6,4	12	1,6	A2 s/s
P0332.070-A2	M 7	7,4	14	1,6	A2 s/s
P0332.080-A2	M 8	8,4	16	1,6	A2 s/s
P0332.100-A2	M10	10,5	20	2,0	A2 s/s
P0332.120-A2	M12	13,0	24	2,5	A2 s/s
P0332.140-A2	M14	15,0	28	2,5	A2 s/s
P0332.160-A2	M16	17,0	30	3,0	A2 s/s
P0332.180-A2	M18	19,0	34	3,0	A2 s/s
P0332.200-A2	M20	21,0	37	3,0	A2 s/s
P0332.220-A2	M22	23,0	39	3,0	A2 s/s
P0332.240-A2	M24	25,0	44	4,0	A2 s/s
P0332.270-A2	M27	28,0	50	4,0	A2 s/s
P0332.300-A2	M30	31,0	56	4,0	A2 s/s
P0332.040-A4	M 4	4,3	9	0,8	A4 s/s
P0332.050-A4	M 5	5,3	10	1,0	A4 s/s
P0332.060-A4	M 6	6,4	12	1,6	A4 s/s
P0332.070-A4	M 7	7,4	14	1,6	A4 s/s
P0332.080-A4	M 8	8,4	16	1,6	A4 s/s
P0332.100-A4	M10	10,5	20	2,0	A4 s/s
P0332.120-A4	M12	13,0	24	2,5	A4 s/s
P0332.140-A4	M14	15,0	28	2,5	A4 s/s

Order No.	For thread	d ₁	d ₂	h	Material
P0332.160-A4	M16	17,0	30	3,0	A4 s/s
P0332.180-A4	M18	19,0	34	3,0	A4 s/s
P0332.200-A4	M20	21,0	37	3,0	A4 s/s
P0332.220-A4	M22	23,0	39	3,0	A4 s/s
P0332.240-A4	M24	25,0	44	4,0	A4 s/s
P0332.270-A4	M27	28,0	50	4,0	A4 s/s
P0332.300-A4	M30	31,0	56	4,0	A4 s/s
P0332.040-ZP	M 4	4,3	9	0,8	Steel ZP
P0332.050-ZP	M 5	5,3	10	1,0	Steel ZP
P0332.060-ZP	M 6	6,4	12	1,6	Steel ZP
P0332.070-ZP	M 7	7,4	14	1,6	Steel ZP
P0332.080-ZP	M 8	8,4	16	1,6	Steel ZP
P0332.100-ZP	M10	10,5	20	2,0	Steel ZP
P0332.120-ZP	M12	13,0	24	2,5	Steel ZP
P0332.140-ZP	M14	15,0	28	2,5	Steel ZP
P0332.160-ZP	M16	17,0	30	3,0	Steel ZP
P0332.180-ZP	M18	19,0	34	3,0	Steel ZP
P0332.200-ZP	M20	21,0	37	3,0	Steel ZP
P0332.220-ZP	M22	23,0	39	3,0	Steel ZP
P0332.240-ZP	M24	25,0	44	4,0	Steel ZP
P0332.270-ZP	M27	28,0	50	4,0	Steel ZP
P0332.300-ZP	M30	31,0	56	4,0	Steel ZP



P0333



Material

Stainless steel (A2 & A4) and steel (zinc-plated & self-colour).

Technical Notes

Also known as Mudguard washers.

Order No.	For thread	d ₁	d ₂	h	Material
P0333.030-010-A2	M 3	3,3	10	0,8	A2 s/s
P0333.040-020-A2	M 4	4,2	20	1,0	A2 s/s
P0333.050-020-A2	M 5	5,2	20	1,3	A2 s/s
P0333.050-025-A2	M 5	5,2	25	1,3	A2 s/s
P0333.050-030-A2	M 5	5,2	30	1,3	A2 s/s
P0333.060-025-A2	M 6	6,5	25	1,5	A2 s/s
P0333.060-030-A2	M 6	6,5	30	1,5	A2 s/s
P0333.060-040-A2	M 6	6,5	40	1,5	A2 s/s
P0333.070-040-A2	M 7	7,4	40	1,5	A2 s/s
P0333.080-025-A2	M 8	8,4	25	1,5	A2 s/s
P0333.080-030-A2	M 8	8,4	30	1,5	A2 s/s
P0333.080-040-A2	M 8	8,4	40	1,5	A2 s/s
P0333.100-030-A2	M10	10,5	30	1,5	A2 s/s
P0333.120-036-A2	M12	12,5	36	2,0	A2 s/s
P0333.140-036-A2	M14	14,5	36	2,0	A2 s/s
P0333.160-050-A2	M16	16,5	50	2,5	A2 s/s
P0333.200-055-A2	M20	20,2	55	2,5	A2 s/s
P0333.240-085-A2	M24	25,0	85	4,0	A2 s/s
P0333.040-020-A4	M 4	4,2	20	1,2	A4 s/s
P0333.050-020-A4	M 5	5,2	20	1,3	A4 s/s
P0333.060-018-A4	M 6	6,5	18	1,5	A4 s/s
P0333.060-020-A4	M 6	6,5	20	1,5	A4 s/s
P0333.060-025-A4	M 6	6,5	25	1,5	A4s/s
P0333.060-030-A4	M 6	6,5	30	1,5	A4 s/s
P0333.080-025-A4	M 8	8,4	25	1,5	A4 s/s
P0333.080-030-A4	M 8	8,4	30	1,5	A4 s/s
P0333.100-025-A4	M10	10,5	25	1,5	A4 s/s
P0333.100-030-A4	M10	10,5	30	1,5	A4 s/s
P0333.100-035-A4	M10	10,5	35	1,5	A4 s/s
P0333.120-036-A4	M12	13,0	36	2,0	A4 s/s
P0333.160-036-A4	M16	16,5	36	2,5	A4 s/s
P0333.030-010-ZP	M 3	3,3	10	0,8	Steel ZP

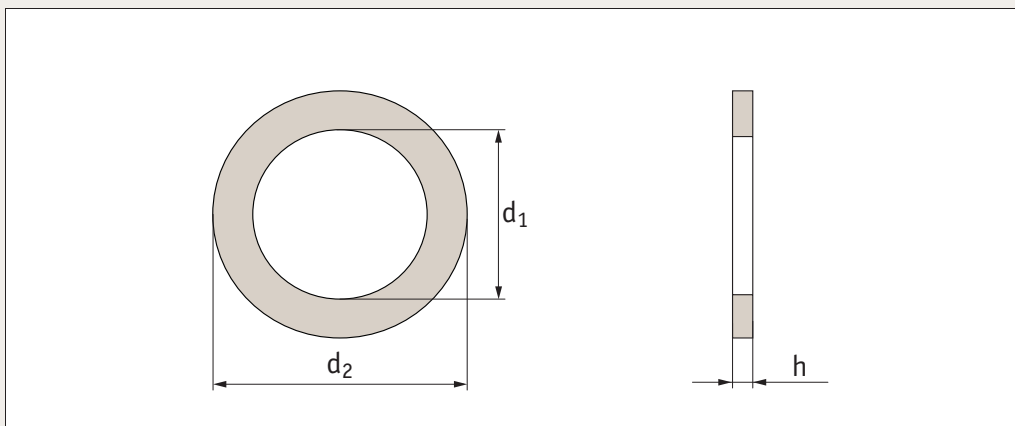
Order No.	For thread	d ₁	d ₂	h	Material
P0333.040-020-ZP	M 4	4,2	20	1,2	Steel ZP
P0333.050-020-ZP	M 5	5,2	20	1,3	Steel ZP
P0333.050-025-ZP	M 5	5,2	25	1,3	Steel ZP
P0333.050-030-ZP	M 5	5,2	30	1,3	Steel ZP
P0333.060-014-ZP	M 6	6,5	14	1,5	Steel ZP
P0333.060-020-ZP	M 6	6,5	20	1,5	Steel ZP
P0333.060-025-ZP	M 6	6,5	25	1,5	Steel ZP
P0333.060-027-ZP	M 6	6,5	27	1,5	Steel ZP
P0333.060-030-ZP	M 6	6,5	30	1,5	Steel ZP
P0333.060-035-ZP	M 6	6,5	35	1,5	Steel ZP
P0333.060-038-ZP	M 6	6,5	38	1,5	Steel ZP
P0333.060-040-ZP	M 6	6,5	40	1,5	Steel ZP
P0333.070-020-ZP	M 7	7,4	20	1,5	Steel ZP
P0333.070-025-ZP	M 7	7,4	25	1,5	Steel ZP
P0333.070-030-ZP	M 7	7,4	30	1,5	Steel ZP
P0333.080-025-ZP	M 8	8,4	25	1,5	Steel ZP
P0333.080-030-ZP	M 8	8,4	30	1,5	Steel ZP
P0333.080-035-ZP	M 8	8,4	35	1,5	Steel ZP
P0333.080-038-ZP	M 8	8,4	38	1,5	Steel ZP
P0333.080-040-ZP	M 8	8,4	40	1,5	Steel ZP
P0333.080-045-ZP	M 8	8,4	45	1,5	Steel ZP
P0333.080-050-ZP	M 8	8,4	50	1,5	Steel ZP
P0333.100-030-ZP	M10	10,5	30	1,5	Steel ZP
P0333.100-035-ZP	M10	10,5	35	1,5	Steel ZP
P0333.100-038-ZP	M10	10,5	38	1,5	Steel ZP
P0333.100-040-ZP	M10	10,5	40	1,5	Steel ZP
P0333.100-050-ZP	M10	10,5	50	1,5	Steel ZP
P0333.100-060-ZP	M10	10,5	60	1,5	Steel ZP
P0333.110-035-ZP	M11	11,5	35	1,5	Steel ZP
P0333.120-030-ZP	M12	12,5	30	2,0	Steel ZP
P0333.120-036-ZP	M12	12,5	36	2,0	Steel ZP
P0333.120-040-ZP	M12	12,5	40	2,0	Steel ZP
P0333.120-060-ZP	M12	12,5	60	2,0	Steel ZP
P0333.140-036-ZP	M14	14,5	36	2,0	Steel ZP

Order No.	For thread	d ₁	d ₂	h	Material
P0333.140-040-ZP	M14	14,5	40	2,0	Steel ZP
P0333.140-045-ZP	M14	14,5	45	2,0	Steel ZP
P0333.160-040-ZP	M16	16,5	40	2,5	Steel ZP
P0333.160-045-ZP	M16	16,5	45	2,5	Steel ZP
P0333.160-050-ZP	M16	16,5	50	2,5	Steel ZP
P0333.170-040-ZP	M17	17,2	40	2,5	Steel ZP
P0333.170-045-ZP	M17	17,2	45	2,5	Steel ZP
P0333.200-050-ZP	M20	20,2	50	2,5	Steel ZP
P0333.200-055-ZP	M20	20,2	55	2,5	Steel ZP
P0333.220-075-ZP	M22	24,0	75	4,0	Steel ZP
P0333.240-080-ZP	M24	25,0	80	4,0	Steel ZP
P0333.240-085-ZP	M24	25,0	85	4,0	Steel ZP
P0333.270-085-ZP	M27	28,0	85	4,0	Steel ZP
P0333.300-095-ZP	M30	32,0	95	4,0	Steel ZP
P0333.040-012-SC	M 4	4,3	12	1,0	Steel SC
P0333.040-015-SC	M 4	4,3	15	1,0	Steel SC
P0333.040-020-SC	M 4	4,3	20	1,25	Steel SC
P0333.040-025-SC	M 4	4,3	25	1,5	Steel SC
P0333.050-015-SC	M 5	5,3	15	1,5	Steel SC
P0333.050-020-SC	M 5	5,3	20	1,5	Steel SC

Order No.	For thread	d ₁	d ₂	h	Material
P0333.050-025-SC	M 5	5,3	25	1,5	Steel SC
P0333.050-030-SC	M 5	5,3	30	1,5	Steel SC
P0333.060-020-SC	M 6	6,4	20	1,5	Steel SC
P0333.060-025-SC	M 6	6,4	25	1,5	Steel SC
P0333.060-030-SC	M 6	6,4	30	1,5	Steel SC
P0333.060-035-SC	M 6	6,4	35	1,5	Steel SC
P0333.060-040-SC	M 6	6,4	40	1,5	Steel SC
P0333.080-020-SC	M 8	8,4	20	1,5	Steel SC
P0333.080-025-SC	M 8	8,4	25	1,5	Steel SC
P0333.080-030-SC	M 8	8,4	30	1,5	Steel SC
P0333.080-035-SC	M 8	8,4	35	1,5	Steel SC
P0333.080-040-SC	M 8	8,4	40	1,5	Steel SC
P0333.100-025-SC	M10	10,5	25	1,5	Steel SC
P0333.100-030-SC	M10	10,5	30	1,5	Steel SC
P0333.100-035-SC	M10	10,5	35	1,5	Steel SC
P0333.100-040-SC	M10	10,5	40	1,5	Steel SC
P0333.120-030-SC	M12	13	30	1,5	Steel SC
P0333.120-035-SC	M12	13	35	1,5	Steel SC
P0333.120-040-SC	M12	13	40	1,5	Steel SC



P0334



Material
Copper.

Technical Notes

To DIN 7603 A. Used as sealing ring for pipe connections and blanking plugs.

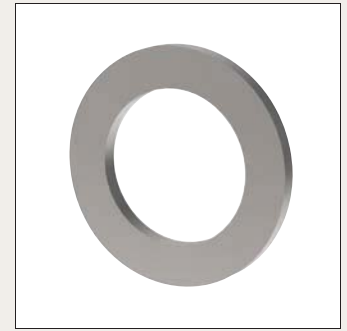
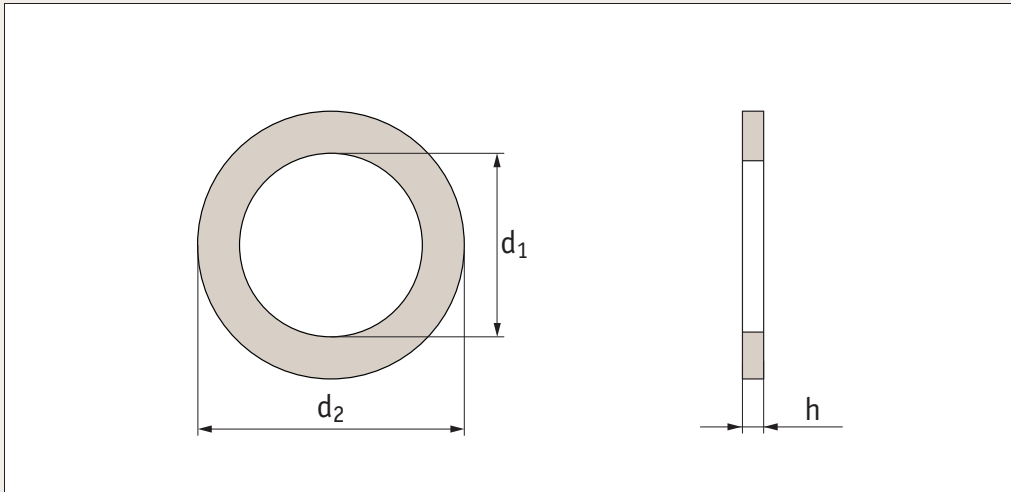
Order No.	d ₁	d ₂	h	Material
P0334.05-10-010	5	10	1,0	Copper
P0334.06-10-010	6	10	1,0	Copper
P0334.07-10-010	7	10	1,0	Copper
P0334.08-12-010	8	12	1,0	Copper
P0334.09-14-010	9	14	1,0	Copper
P0334.10-14-010	10	14	1,0	Copper
P0334.10-15-010	10	15	1,0	Copper
P0334.10-16-010	10	16	1,0	Copper
P0334.12-16-010	12	16	1,0	Copper
P0334.14-18-010	14	18	1,0	Copper
P0334.14-20-010	14	20	1,0	Copper
P0334.15-20-010	15	20	1,0	Copper
P0334.06-10-015	6	10	1,5	Copper
P0334.08-14-015	8	14	1,5	Copper
P0334.09-14-015	9	14	1,5	Copper
P0334.10-14-015	10	14	1,5	Copper
P0334.10-16-015	10	16	1,5	Copper
P0334.10-20-015	10	20	1,5	Copper
P0334.11-17-015	11	17	1,5	Copper
P0334.12-16-015	12	16	1,5	Copper
P0334.12-17-015	12	17	1,5	Copper
P0334.12-18-015	12	18	1,5	Copper
P0334.12-20-015	12	20	1,5	Copper
P0334.13-18-015	13	18	1,5	Copper
P0334.14-18-015	14	18	1,5	Copper
P0334.14-20-015	14	20	1,5	Copper
P0334.14-22-015	14	22	1,5	Copper
P0334.15-20-015	15	20	1,5	Copper
P0334.16-20-015	16	20	1,5	Copper
P0334.16-22-015	16	22	1,5	Copper
P0334.17-21-015	17	21	1,5	Copper
P0334.17-22-015	17	22	1,5	Copper
P0334.18-24-015	18	24	1,5	Copper
P0334.20-24-015	20	24	1,5	Copper
P0334.20-26-015	20	26	1,5	Copper
P0334.21-26-015	21	26	1,5	Copper
P0334.21-28-015	21	28	1,5	Copper

Order No.	d ₁	d ₂	h	Material
P0334.22-27-015	22	27	1,5	Copper
P0334.22-29-015	22	29	1,5	Copper
P0334.10-19-020	10	19	2,0	Copper
P0334.13-18-020	13	18	2,0	Copper
P0334.14-18-020	14	18	2,0	Copper
P0334.14-20-020	14	20	2,0	Copper
P0334.15-20-020	15	20	2,0	Copper
P0334.16-20-020	16	20	2,0	Copper
P0334.16-21-020	16	21	2,0	Copper
P0334.16-22-020	16	22	2,0	Copper
P0334.17-24-020	17	24	2,0	Copper
P0334.18-24-020	18	24	2,0	Copper
P0334.19-26-020	19	26	2,0	Copper
P0334.20-24-020	20	24	2,0	Copper
P0334.21-26-020	21	26	2,0	Copper
P0334.21-28-020	21	28	2,0	Copper
P0334.22-26-020	22	26	2,0	Copper
P0334.22-29-020	22	29	2,0	Copper
P0334.24-30-020	24	30	2,0	Copper
P0334.24-32-020	24	32	2,0	Copper
P0334.26-32-020	26	32	2,0	Copper
P0334.26-33-020	26	33	2,0	Copper
P0334.26-34-020	26	34	2,0	Copper
P0334.28-34-020	28	34	2,0	Copper
P0334.30-36-020	30	36	2,0	Copper
P0334.30-38-020	30	38	2,0	Copper
P0334.32-38-020	32	38	2,0	Copper
P0334.32-40-020	32	40	2,0	Copper
P0334.33-39-020	33	39	2,0	Copper
P0334.35-45-020	35	45	2,0	Copper
P0334.36-42-020	36	42	2,0	Copper
P0334.38-44-020	38	44	2,0	Copper
P0334.40-47-020	40	47	2,0	Copper
P0334.45-52-020	45	52	2,0	Copper
P0334.50-57-020	50	57	2,0	Copper

Flat Washer

small o/d

Nuts & Washers



P0335

Material

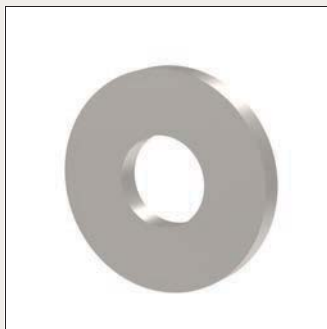
Stainless steel (A2 AISI 303 & A4 AISI 316).

Technical Notes

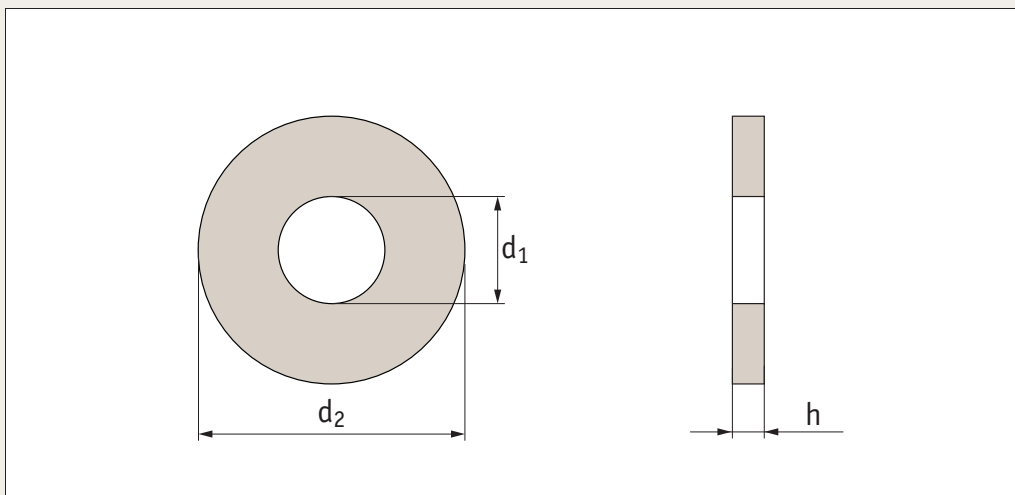
To DIN 433.

Order No.	For thread	d_1	d_2	h	Material
P0335.014-A2	M1,4	1,5	3	0,3	A2 s/s
P0335.016-A2	M1,6	1,7	3,5	0,3	A2 s/s
P0335.020-A2	M 2	2,2	4,5	0,3	A2 s/s
P0335.025-A2	M2,5	2,7	5	0,5	A2 s/s
P0335.030-A2	M 3	3,2	6	0,5	A2 s/s
P0335.035-A2	M3,5	3,7	7	0,5	A2 s/s
P0335.040-A2	M 4	4,3	8	0,5	A2 s/s
P0335.050-A2	M 5	5,3	9	1,0	A2 s/s
P0335.060-A2	M 6	6,4	11	1,6	A2 s/s
P0335.080-A2	M 8	8,4	15	1,6	A2 s/s
P0335.100-A2	M10	10,5	18	1,6	A2 s/s
P0335.120-A2	M12	13	20	2,0	A2 s/s
P0335.140-A2	M14	15	24	2,5	A2 s/s
P0335.160-A2	M16	17	28	2,5	A2 s/s
P0335.180-A2	M18	19	30	2,5	A2 s/s
P0335.200-A2	M20	21	34	3,0	A2 s/s
P0335.014-A4	M1,4	1,5	3	0,3	A4 s/s
P0335.016-A4	M1,6	1,7	3,5	0,3	A4 s/s
P0335.020-A4	M 2	2,2	4,5	0,3	A4 s/s
P0335.025-A4	M2,5	2,7	5	0,5	A4 s/s
P0335.030-A4	M 3	3,2	6	0,5	A4 s/s
P0335.035-A4	M3,5	3,7	7	0,5	A4 s/s
P0335.040-A4	M 4	4,3	8	0,5	A4 s/s
P0335.050-A4	M 5	5,3	9	1,0	A4 s/s
P0335.060-A4	M 6	6,4	11	1,6	A4 s/s

Order No.	For thread	d_1	d_2	h	Material
P0335.080-A4	M 8	8,4	15	1,6	A4 s/s
P0335.100-A4	M10	10,5	18	1,6	A4 s/s
P0335.120-A4	M12	13	20	2,0	A4 s/s
P0335.140-A4	M14	15	24	2,5	A4 s/s
P0335.160-A4	M16	17	28	2,5	A4 s/s
P0335.180-A4	M18	19	30	2,5	A4 s/s
P0335.200-A4	M20	21	34	3,0	A4 s/s
P0335.014-ZP	M1,4	1,5	3	0,3	Steel ZP
P0335.016-ZP	M1,6	1,7	3,5	0,3	Steel ZP
P0335.020-ZP	M 2	2,2	4,5	0,3	Steel ZP
P0335.025-ZP	M2,5	2,7	5	0,5	Steel ZP
P0335.030-ZP	M 3	3,2	6	0,5	Steel ZP
P0335.035-ZP	M3,5	3,7	7	0,5	Steel ZP
P0335.040-ZP	M 4	4,3	8	0,5	Steel ZP
P0335.050-ZP	M 5	5,3	9	1,0	Steel ZP
P0335.060-ZP	M 6	6,4	11	1,6	Steel ZP
P0335.080-ZP	M 8	8,4	15	1,6	Steel ZP
P0335.100-ZP	M10	10,5	18	1,6	Steel ZP
P0335.120-ZP	M12	13	20	2,0	Steel ZP
P0335.140-ZP	M14	15	24	2,5	Steel ZP
P0335.160-ZP	M16	17	28	2,5	Steel ZP
P0335.180-ZP	M18	19	30	2,5	Steel ZP
P0335.200-ZP	M20	21	34	3,0	Steel ZP



P0336



Material

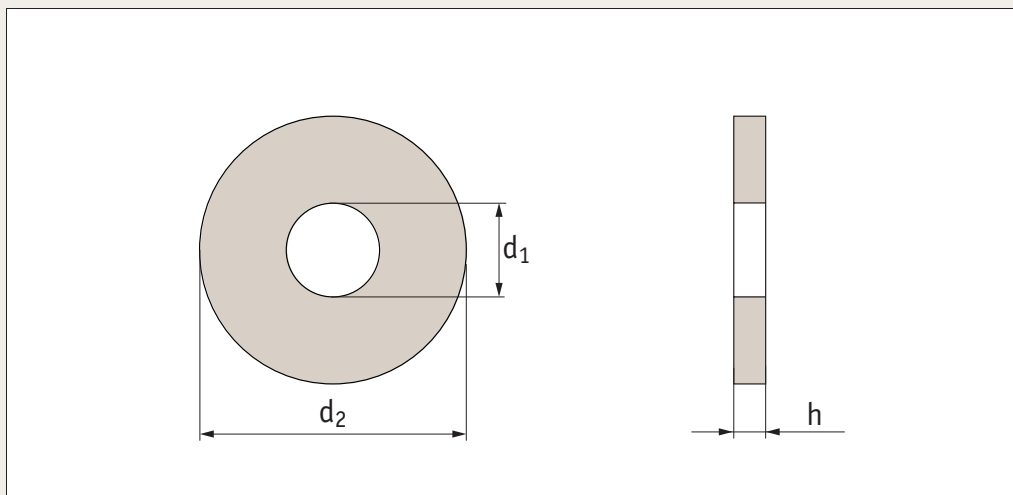
Stainless steel (A2 & A4) and steel (zinc-plated & self-colour).

Technical Notes

To DIN 7349.

Order No.	For thread	d ₁	d ₂	h	Material
P0336.030-A2	M 3	3,2	9	1,0	A2 s/s
P0336.040-A2	M 4	4,3	12	1,6	A2 s/s
P0336.050-A2	M 5	5,3	15	2,0	A2 s/s
P0336.060-A2	M 6	6,4	17	3,0	A2 s/s
P0336.080-A2	M 8	8,4	21	4,0	A2 s/s
P0336.100-A2	M10	10,5	25	4,0	A2 s/s
P0336.120-A2	M12	13,0	30	6,0	A2 s/s
P0336.140-A2	M14	15,0	36	6,0	A2 s/s
P0336.160-A2	M16	17,0	40	6,0	A2 s/s
P0336.180-A2	M18	19,0	44	8,0	A2 s/s
P0336.200-A2	M20	21,0	44	8,0	A2 s/s
P0336.220-A2	M22	23,0	50	8,0	A2 s/s
P0336.240-A2	M24	25,0	50	10,0	A2 s/s
P0336.270-A2	M27	28,0	60	10,0	A2 s/s
P0336.300-A2	M30	31,0	68	10,0	A2 s/s
P0336.030-A4	M 3	3,2	9	1,0	A4 s/s
P0336.040-A4	M 4	4,3	12	1,6	A4 s/s
P0336.050-A4	M 5	5,3	15	2,0	A4 s/s
P0336.060-A4	M 6	6,4	17	3,0	A4 s/s
P0336.080-A4	M 8	8,4	21	4,0	A4 s/s
P0336.100-A4	M10	10,5	25	4,0	A4 s/s
P0336.120-A4	M12	13,0	30	6,0	A4 s/s
P0336.140-A4	M14	15,0	36	6,0	A4 s/s
P0336.160-A4	M16	17,0	40	6,0	A4 s/s
P0336.180-A4	M18	19,0	44	8,0	A4 s/s
P0336.200-A4	M20	21,0	44	8,0	A4 s/s
P0336.220-A4	M22	23,0	50	8,0	A4 s/s
P0336.240-A4	M24	25,0	50	10,0	A4 s/s
P0336.270-A4	M27	28,0	60	10,0	A4 s/s
P0336.300-A4	M30	31,0	68	10,0	A4 s/s

Order No.	For thread	d ₁	d ₂	h	Material
P0336.030-ZP	M 3	3,2	9	1,0	Steel ZP
P0336.040-ZP	M 4	4,3	12	1,6	Steel ZP
P0336.050-ZP	M 5	5,3	15	2,0	Steel ZP
P0336.060-ZP	M 6	6,4	17	3,0	Steel ZP
P0336.080-ZP	M 8	8,4	21	4,0	Steel ZP
P0336.100-ZP	M10	10,5	25	4,0	Steel ZP
P0336.120-ZP	M12	13,0	30	6,0	Steel ZP
P0336.140-ZP	M14	15,0	36	6,0	Steel ZP
P0336.160-ZP	M16	17,0	40	6,0	Steel ZP
P0336.180-ZP	M18	19,0	44	8,0	Steel ZP
P0336.200-ZP	M20	21,0	44	8,0	Steel ZP
P0336.220-ZP	M22	23,0	50	8,0	Steel ZP
P0336.240-ZP	M24	25,0	50	10,0	Steel ZP
P0336.270-ZP	M27	28,0	60	10,0	Steel ZP
P0336.300-ZP	M30	31,0	68	10,0	Steel ZP
P0336.030-SC	M 3	3,2	9	1,0	Steel SC
P0336.040-SC	M 4	4,3	12	1,6	Steel SC
P0336.050-SC	M 5	5,3	15	2,0	Steel SC
P0336.060-SC	M 6	6,4	17	3,0	Steel SC
P0336.080-SC	M 8	8,4	21	4,0	Steel SC
P0336.100-SC	M10	10,5	25	4,0	Steel SC
P0336.120-SC	M12	13,0	30	6,0	Steel SC
P0336.140-SC	M14	15,0	36	6,0	Steel SC
P0336.160-SC	M16	17,0	40	6,0	Steel SC
P0336.180-SC	M18	19,0	44	8,0	Steel SC
P0336.200-SC	M20	21,0	44	8,0	Steel SC
P0336.220-SC	M22	23,0	50	8,0	Steel SC
P0336.240-SC	M24	25,0	50	10,0	Steel SC
P0336.270-SC	M27	28,0	60	10,0	Steel SC
P0336.300-SC	M30	31,0	68	10,0	Steel SC



P0337

Material

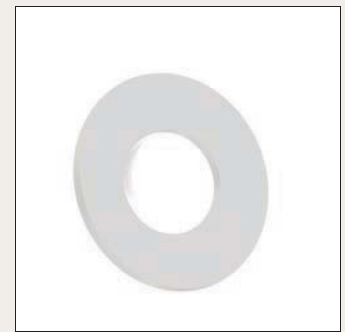
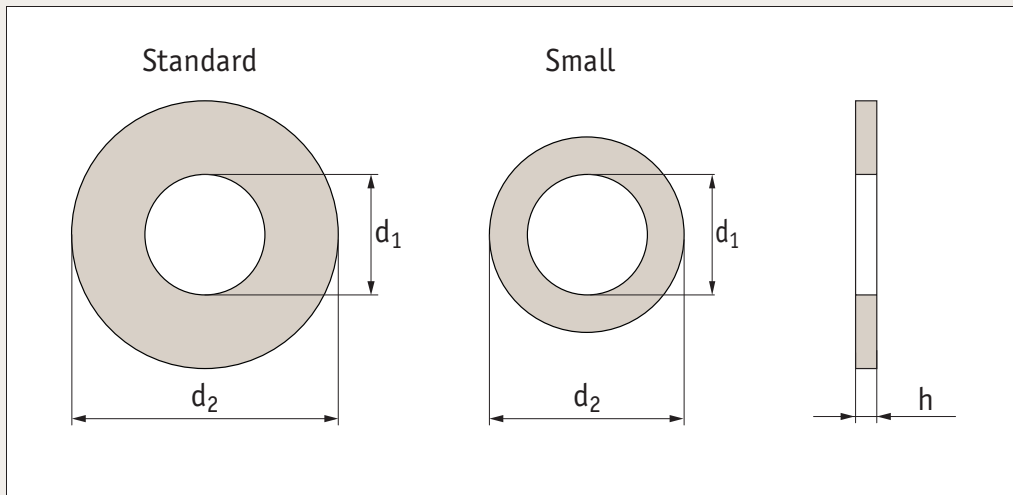
Stainless steel (A2 & A4) and brass.

Technical Notes

To DIN 9021, ISO 7093.

Order No.	For thread	d ₁	d ₂	h	Material
P0337.020-A2	M 2	2,2	6	0,8	A2 s/s
P0337.025-A2	M2,5	2,7	8	0,8	A2 s/s
P0337.030-A2	M 3	3,2	9	0,8	A2 s/s
P0337.035-A2	M3,5	3,7	11	0,8	A2 s/s
P0337.040-A2	M 4	4,3	12	1,0	A2 s/s
P0337.050-A2	M 5	5,3	15	1,2	A2 s/s
P0337.060-A2	M 6	6,4	18	1,6	A2 s/s
P0337.070-A2	M 7	7,4	22	2,0	A2 s/s
P0337.080-A2	M 8	8,4	24	2,0	A2 s/s
P0337.100-A2	M10	10,5	30	2,5	A2 s/s
P0337.120-A2	M12	13,0	37	3,0	A2 s/s
P0337.140-A2	M14	15,0	44	3,0	A2 s/s
P0337.160-A2	M16	17,0	50	3,0	A2 s/s
P0337.180-A2	M18	20,0	56	4,0	A2 s/s
P0337.200-A2	M20	22,0	60	4,0	A2 s/s
P0337.240-A2	M24	26,0	72	5,0	A2 s/s
P0337.300-A2	M30	33,0	92	6,0	A2 s/s
P0337.360-A2	M36	39,0	110	8,0	A2 s/s
P0337.020-A4	M 2	2,2	6	0,8	A4 s/s
P0337.025-A4	M2,5	2,7	8	0,8	A4 s/s
P0337.030-A4	M 3	3,2	9	0,8	A4 s/s
P0337.035-A4	M3,5	3,7	11	0,8	A4 s/s
P0337.040-A4	M 4	4,3	12	1,0	A4 s/s
P0337.050-A4	M 5	5,3	15	1,2	A4 s/s

Order No.	For thread	d ₁	d ₂	h	Material
P0337.060-A4	M 6	6,4	18	1,6	A4 s/s
P0337.070-A4	M 7	7,4	22	2,0	A4 s/s
P0337.080-A4	M 8	8,4	24	2,0	A4 s/s
P0337.100-A4	M10	10,5	30	2,5	A4 s/s
P0337.120-A4	M12	13,0	37	3,0	A4 s/s
P0337.140-A4	M14	15,0	44	3,0	A4 s/s
P0337.160-A4	M16	17,0	50	3,0	A4 s/s
P0337.180-A4	M18	20,0	56	4,0	A4 s/s
P0337.200-A4	M20	22,0	60	4,0	A4 s/s
P0337.240-A4	M24	26,0	72	5,0	A4 s/s
P0337.300-A4	M30	33,0	92	6,0	A4 s/s
P0337.360-A4	M36	39,0	110	8,0	A4 s/s
P0337.030-BR	M 3	3,2	9	0,8	Brass
P0337.040-BR	M 4	4,3	12	1,0	Brass
P0337.050-BR	M 5	5,3	15	1,2	Brass
P0337.060-BR	M 6	6,4	18	1,6	Brass
P0337.080-BR	M 8	8,4	24	2,0	Brass
P0337.100-BR	M10	10,5	30	2,5	Brass
P0337.120-BR	M12	13,0	37	3,0	Brass
P0337.140-BR	M14	15,0	44	3,0	Brass
P0337.160-BR	M16	17,0	50	3,0	Brass
P0337.200-BR	M20	22,0	60	4,0	Brass



P0339

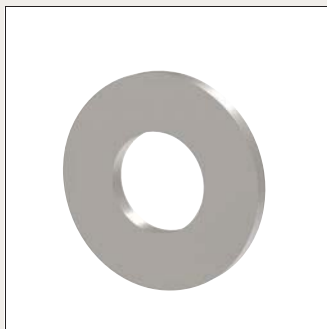
Material

Polyamide.

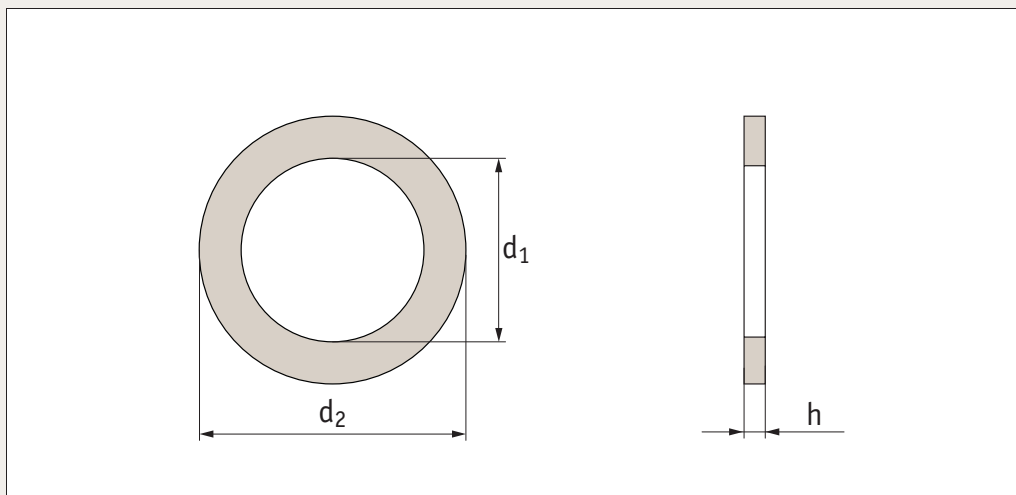
Technical Notes

Type 1 - to DIN 9021, ISO 7093 (3x thread diameter).
Type 2 - to DIN 125, without chamfer.

Order No.	For thread	d ₁	d ₂	h _{min.}	Type
P0339.030-009	M 3	3,2	9	0,8	Standard
P0339.040-012	M 4	4,3	12	0,8	Standard
P0339.050-015	M 5	5,3	15	1,0	Standard
P0339.060-018	M 6	6,4	18	1,5	Standard
P0339.080-024	M 8	8,4	24	2,0	Standard
P0339.100-030	M10	10,5	30	2,5	Standard
P0339.120-037	M12	13,0	37	3,0	Standard
P0339.160-050	M16	17,0	50	3,0	Standard
P0339.180-056	M18	20,0	56	4,0	Standard
P0339.200-060	M20	22,0	60	4,0	Standard
P0339.240-072	M24	26,0	72	5,0	Standard
P0339.300-092	M30	33,0	92	6,0	Standard
P0339.360-110	M36	39,0	110	8,0	Standard
P0339.020-005	M 2	2,2	5	0,3	Small
P0339.025-006	M2,5	2,7	6	0,5	Small
P0339.030-007	M 3	3,2	7	0,5	Small
P0339.040-009	M 4	4,3	9	0,8	Small
P0339.050-010	M 5	5,3	10	1,0	Small
P0339.060-012	M 6	6,4	12	1,6	Small
P0339.080-016	M 8	8,4	16	1,6	Small
P0339.100-020	M10	10,5	20	2,0	Small
P0339.120-024	M12	13,0	24	2,5	Small
P0339.140-028	M14	15,0	28	2,5	Small
P0339.160-030	M16	17,0	30	3,0	Small
P0339.180-034	M18	19,0	34	3,0	Small
P0339.200-037	M20	21,0	37	3,0	Small
P0339.240-044	M24	25,0	44	4,0	Small
P0339.270-050	M27	28,0	50	4,0	Small
P0339.300-086	M30	31,0	56	4,0	Small



P0342



Material

Stainless steel (A2, AISI 303).

Technical Notes

To DIN 988.

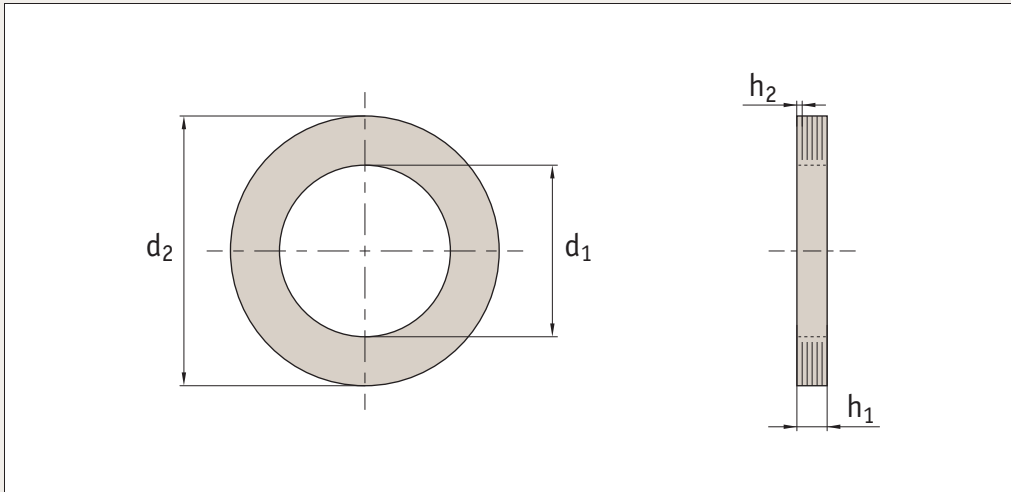
Order No.	d ₁ D12	d ₂ d12	h _{-0,05}
P0342.03-06-01	3,0	6,0	0,1
P0342.03-06-02	3,0	6,0	0,2
P0342.03-06-03	3,0	6,0	0,3
P0342.03-06-04	3,0	6,0	0,4
P0342.03-06-05	3,0	6,0	0,5
P0342.04-08-01	4,0	8,0	0,1
P0342.04-08-02	4,0	8,0	0,2
P0342.04-08-03	4,0	8,0	0,3
P0342.04-08-05	4,0	8,0	0,5
P0342.04-08-10	4,0	8,0	1,0
P0342.05-10-01	5,0	10,0	0,1
P0342.05-10-02	5,0	10,0	0,2
P0342.05-10-03	5,0	10,0	0,3
P0342.05-10-05	5,0	10,0	0,5
P0342.05-10-10	5,0	10,0	1,0
P0342.06-12-01	6,0	12,0	0,1
P0342.06-12-03	6,0	12,0	0,3
P0342.06-12-10	6,0	12,0	1,0
P0342.08-14-01	8,0	14,0	0,1
P0342.08-14-02	8,0	14,0	0,2
P0342.08-14-03	8,0	14,0	0,3
P0342.08-14-05	8,0	14,0	0,5
P0342.08-14-10	8,0	14,0	1,0
P0342.10-16-01	10,0	16,0	0,1
P0342.10-16-02	10,0	16,0	0,2
P0342.10-16-05	10,0	16,0	0,5
P0342.10-16-10	10,0	16,0	1,0
P0342.10-16-03	10,0	16,0	0,3
P0342.12-18-01	12,0	18,0	0,1
P0342.12-18-02	12,0	18,0	0,2

Order No.	d ₁ D12	d ₂ d12	h _{-0,05}
P0342.12-18-03	12,0	18,0	0,3
P0342.12-18-05	12,0	18,0	0,5
P0342.12-18-10	12,0	18,0	1,0
P0342.14-20-01	14,0	20,0	0,1
P0342.14-20-02	14,0	20,0	0,2
P0342.14-20-03	14,0	20,0	0,3
P0342.14-20-05	14,0	20,0	0,5
P0342.14-20-10	14,0	20,0	1,0
P0342.16-22-01	16,0	22,0	0,1
P0342.16-22-02	16,0	22,0	0,2
P0342.16-22-03	16,0	22,0	0,3
P0342.16-22-05	16,0	22,0	0,5
P0342.16-22-10	16,0	22,0	1,0
P0342.18-25-02	18,0	25,0	0,2
P0342.18-25-03	18,0	25,0	0,3
P0342.18-25-10	18,0	25,0	1,0
P0342.20-28-01	20,0	28,0	0,1
P0342.20-28-02	20,0	28,0	0,2
P0342.20-28-03	20,0	28,0	0,3
P0342.20-28-05	20,0	28,0	0,5
P0342.20-28-10	20,0	28,0	1,0
P0342.25-35-01	25,0	35,0	0,1
P0342.25-35-02	25,0	35,0	0,2
P0342.25-35-03	25,0	35,0	0,3
P0342.25-35-05	25,0	35,0	0,5
P0342.25-35-10	25,0	35,0	1,0
P0342.30-42-01	30,0	42,0	0,1
P0342.30-42-05	30,0	42,0	0,5
P0342.30-42-10	30,0	42,0	1,0

Laminated Shim Spacers

brass

Nuts & Washers



P0344

Material

Brass (with 0,05mm laminations).

Technical Notes

The inner race spacers fit onto shafts and preload the inner race of ball

bearing.

The outer race spacers fit into the housing and preload the outer race of ball bearing.

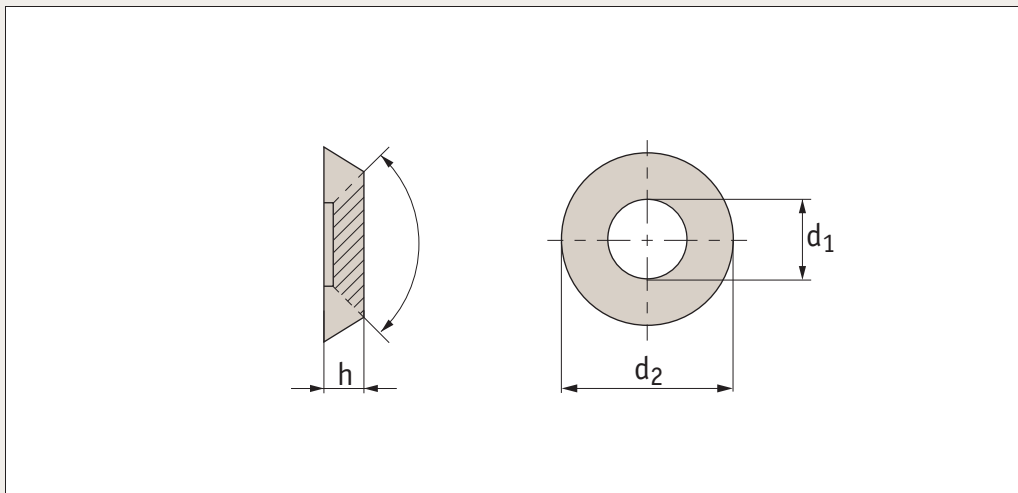
Tips

The 0,05mm laminations can be peeled off as required.

Order No.	For shaft/ bore	$d_1 \pm 0,1$	$d_2 +0,0, -0,1$	$h_1 \pm 0,1$	h_2	Type
P0344.030-IN	3,0 shaft	3,2	5,9	0,8	0,05	Inner race
P0344.050-IN	5,0 shaft	5,2	9,5	0,8	0,05	Inner race
P0344.060-IN	6,0 shaft	6,2	12,7	0,8	0,05	Inner race
P0344.100-IN	10,0 shaft	10,2	15,9	0,8	0,05	Inner race
P0344.100-EX	10,0 bore	7,9	10,0	0,8	0,05	Outer race
P0344.130-EX	13,0 bore	9,5	13,0	0,8	0,05	Outer race
P0344.160-EX	16,0 bore	11,1	16,0	0,8	0,05	Outer race



P0346



Material

Stainless steel (A2 AISI 303 or A4 AISI 316).

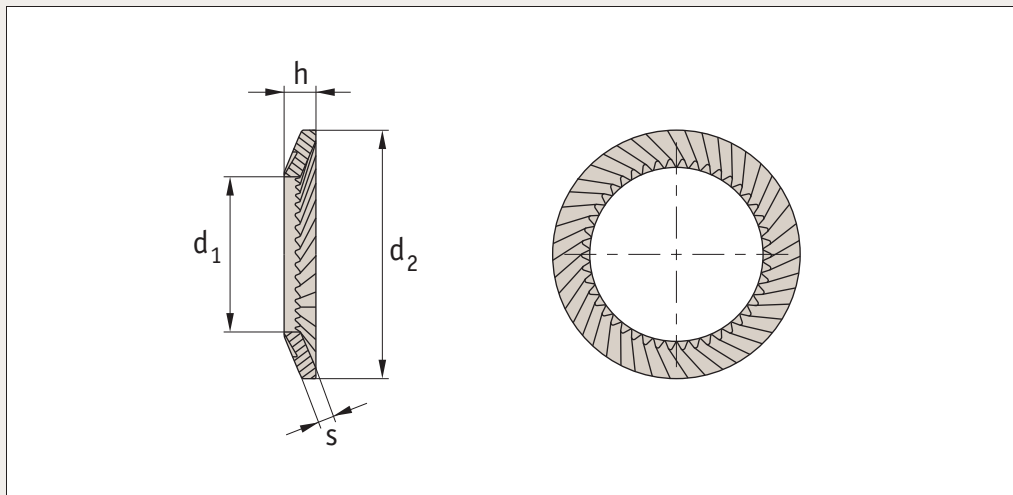
Order No.	For	d ₁	d ₂	h	Material
P0346.030-A2	M 3	3	9	2,0	A2 s/s
P0346.040-A2	M 4	4	11	2,5	A2 s/s
P0346.050-A2	M 5	5	14	3,0	A2 s/s
P0346.060-A2	M 6	6	16	3,5	A2 s/s
P0346.080-A2	M 8	8	22	4,5	A2 s/s
P0346.100-A2	M10	10	28	5,5	A2 s/s

Order No.	For	d ₁	d ₂	h	Material
P0346.030-A4	M 3	3	9	2,0	A4 s/s
P0346.040-A4	M 4	4	11	2,5	A4 s/s
P0346.050-A4	M 5	5	14	3,0	A4 s/s
P0346.060-A4	M 6	6	16	3,5	A4 s/s
P0346.080-A4	M 8	8	22	4,5	A4 s/s
P0346.100-A4	M10	10	28	5,5	A4 s/s

Safety Washers

Type S

Nuts & Washers



P0363

Material

Steel (self-coloured & galvanised) and stainless (A2).

Technical Notes

To DIN 17222. Can be used with screws of class 8 and 8.8

Order No.	For thread	d ₁	d ₂	h	Material
P0363.025-A2	M2,5	2,7	4,8	0,9	A2 s/s
P0363.030-A2	M 3	3,2	5,5	0,9	A2 s/s
P0363.040-A2	M 4	4,3	7,0	1,0	A2 s/s
P0363.050-A2	M 5	5,3	9,0	1,1	A2 s/s
P0363.060-A2	M 6	6,4	10,0	1,2	A2 s/s
P0363.080-A2	M 8	8,4	13,0	1,4	A2 s/s
P0363.100-A2	M10	10,5	16,0	1,6	A2 s/s
P0363.120-A2	M12	13,0	18,0	1,7	A2 s/s
P0363.140-A2	M14	15,0	22,0	2,0	A2 s/s
P0363.160-A2	M16	17,0	24,0	2,1	A2 s/s
P0363.200-A2	M20	21,0	30,0	2,5	A2 s/s
P0363.240-A2	M24	26,0	36,0	2,9	A2 s/s
P0363.300-A2	M30	32,0	45,0	3,6	A2 s/s
P0363.030-SC	M 3	3,2	5,5	0,9	Steel SC
P0363.040-SC	M 4	4,3	7,0	1,0	Steel SC
P0363.050-SC	M 5	5,3	9,0	1,1	Steel SC
P0363.060-SC	M 6	6,4	10,0	1,2	Steel SC
P0363.080-SC	M 8	8,4	13,0	1,4	Steel SC
P0363.100-SC	M10	10,5	16,0	1,6	Steel SC
P0363.120-SC	M12	13,0	18,0	1,7	Steel SC
P0363.140-SC	M14	15,0	22,0	2,0	Steel SC
P0363.160-SC	M16	17,0	24,0	2,1	Steel SC

Order No.	For thread	d ₁	d ₂	h	Material
P0363.180-SC	M18	19,0	27,0	2,3	Steel SC
P0363.200-SC	M20	21,0	30,0	2,5	Steel SC
P0363.220-SC	M22	23,0	33,0	2,7	Steel SC
P0363.240-SC	M24	26,0	36,0	2,9	Steel SC
P0363.270-SC	M27	29,0	39,0	3,1	Steel SC
P0363.300-SC	M30	32,0	45,0	3,6	Steel SC
P0363.030-GV	M 3	3,2	5,5	0,9	Steel GV
P0363.040-GV	M 4	4,3	7,0	1,0	Steel GV
P0363.050-GV	M 5	5,3	9,0	1,1	Steel GV
P0363.060-GV	M 6	6,4	10,0	1,2	Steel GV
P0363.080-GV	M 8	8,4	13,0	1,4	Steel GV
P0363.100-GV	M10	10,5	16,0	1,6	Steel GV
P0363.120-GV	M12	13,0	18,0	1,7	Steel GV
P0363.140-GV	M14	15,0	22,0	2,0	Steel GV
P0363.160-GV	M16	17,0	24,0	2,1	Steel GV
P0363.180-GV	M18	19,0	27,0	2,3	Steel GV
P0363.200-GV	M20	21,0	30,0	2,5	Steel GV
P0363.220-GV	M22	23,0	33,0	2,7	Steel GV
P0363.240-GV	M24	26,0	36,0	2,9	Steel GV
P0363.270-GV	M27	29,0	39,0	3,1	Steel GV
P0363.300-GV	M30	32,0	45,0	3,6	Steel GV