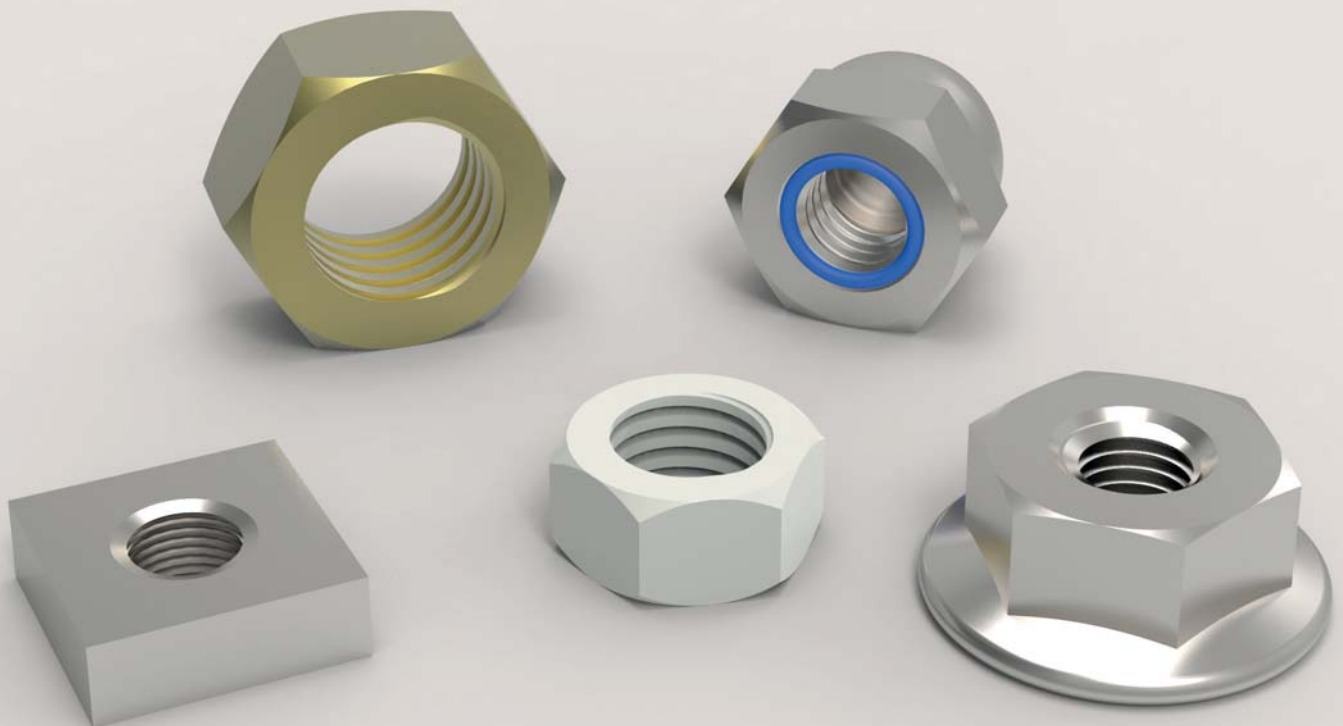
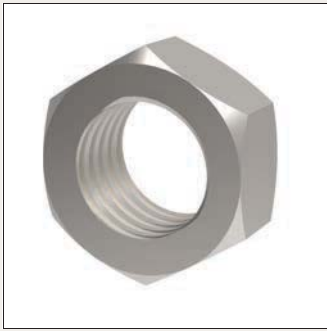
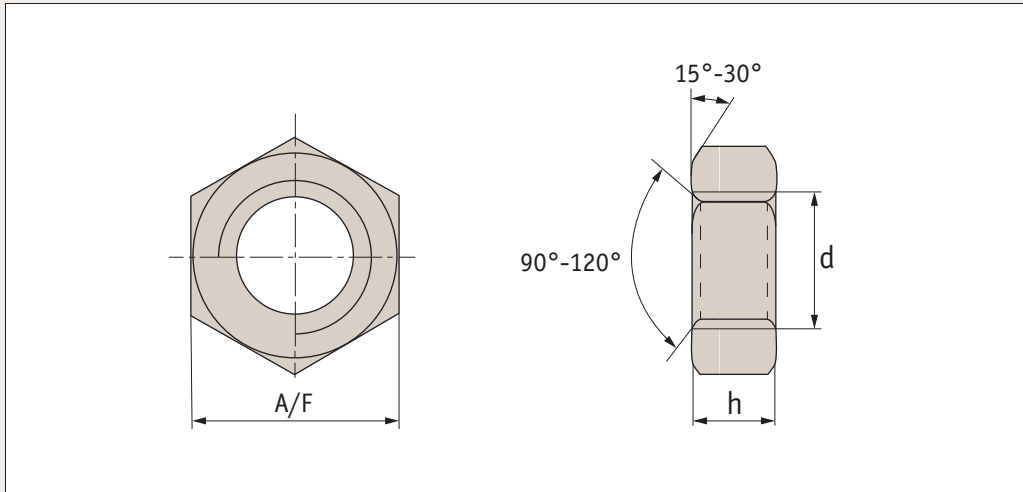


Nuts





P0302



Material

Stainless steel (A2 & A4, class 70), steel class 8 (zinc-plated & self-colour), and brass.

Technical Notes

DIN 934. Fine pitch threads.
For coarse thread full nuts see P0301.

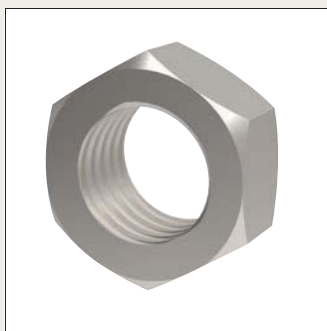
Order No.	d	h _{min.}	A/F	Material
P0302.080-100-A2	M 8x1,0	6,14	13	A2 s/s
P0302.100-100-A2	M10x1,0	7,64	17	A2 s/s
P0302.100-125-A2	M10x1,25	7,64	17	A2 s/s
P0302.120-125-A2	M12x1,25	9,64	19	A2 s/s
P0302.120-150-A2	M12x1,5	9,64	19	A2 s/s
P0302.140-150-A2	M14x1,5	10,3	22	A2 s/s
P0302.160-150-A2	M16x1,5	12,3	24	A2 s/s
P0302.180-150-A2	M18x1,5	14,3	27	A2 s/s
P0302.200-150-A2	M20x1,5	14,9	30	A2 s/s
P0302.200-200-A2	M20x2,0	14,9	30	A2 s/s
P0302.220-150-A2	M22x1,5	16,9	32	A2 s/s
P0302.240-150-A2	M24x1,5	17,7	36	A2 s/s
P0302.240-200-A2	M24x2,0	17,7	36	A2 s/s
P0302.270-150-A2	M27x1,5	20,7	41	A2 s/s
P0302.270-200-A2	M27x2,0	20,7	41	A2 s/s
P0302.300-200-A2	M30x2,0	22,7	46	A2 s/s
P0302.300-150-A2	M30x1,5	22,7	46	A2 s/s
P0302.360-150-A2	M36x1,5	27,4	55	A2 s/s
P0302.360-300-A2	M36x3,0	27,4	55	A2 s/s
P0302.080-100-A4	M 8x1,0	6,14	13	A4 s/s
P0302.100-100-A4	M10x1,0	7,64	17	A4 s/s
P0302.100-125-A4	M10x1,25	7,64	17	A4 s/s
P0302.120-125-A4	M12x1,25	9,64	19	A4 s/s
P0302.120-150-A4	M12x1,5	9,64	19	A4 s/s
P0302.140-150-A4	M14x1,5	10,3	22	A4 s/s
P0302.160-150-A4	M16x1,5	12,3	24	A4 s/s
P0302.180-150-A4	M18x1,5	14,3	27	A4 s/s
P0302.200-150-A4	M20x1,5	14,9	30	A4 s/s
P0302.200-200-A4	M20x2,0	14,9	30	A4 s/s
P0302.220-150-A4	M22x1,5	16,9	32	A4 s/s
P0302.240-150-A4	M24x1,5	17,7	36	A4 s/s
P0302.240-200-A4	M24x2,0	17,7	36	A4 s/s
P0302.270-150-A4	M27x1,5	20,7	41	A4 s/s
P0302.270-200-A4	M27x2,0	20,7	41	A4 s/s

Order No.	d	h _{min.}	A/F	Material
P0302.300-150-A4	M30x1,5	22,7	46	A4 s/s
P0302.300-200-A4	M30x2,0	22,7	46	A4 s/s
P0302.360-150-A4	M36x1,50	27,4	55	A4 s/s
P0302.360-300-A4	M36x3,0	27,4	55	A4 s/s
P0302.080-100-ZP	M 8x1,0	6,14	13	Steel ZP
P0302.100-100-ZP	M10x1,0	7,64	17	Steel ZP
P0302.100-125-ZP	M10x1,25	7,64	17	Steel ZP
P0302.120-150-ZP	M12x1,5	9,64	19	Steel ZP
P0302.120-125-ZP	M12x1,25	9,64	19	Steel ZP
P0302.140-150-ZP	M14x1,5	10,3	22	Steel ZP
P0302.160-150-ZP	M16x1,5	12,3	24	Steel ZP
P0302.180-150-ZP	M18x1,5	14,3	27	Steel ZP
P0302.200-150-ZP	M20x1,5	14,9	30	Steel ZP
P0302.200-200-ZP	M20x2,0	14,9	30	Steel ZP
P0302.220-150-ZP	M22x1,5	16,9	32	Steel ZP
P0302.240-150-ZP	M24x1,5	17,7	36	Steel ZP
P0302.240-200-ZP	M24x2,0	17,7	36	Steel ZP
P0302.270-150-ZP	M27x1,5	20,7	41	Steel ZP
P0302.270-200-ZP	M27x2,0	20,7	41	Steel ZP
P0302.300-150-ZP	M30x1,5	22,7	46	Steel ZP
P0302.300-200-ZP	M30x2,0	22,7	46	Steel ZP
P0302.360-150-ZP	M36x1,5	27,4	55	Steel ZP
P0302.360-300-ZP	M36x3,0	27,4	55	Steel ZP
P0302.040-075-SC	M4x0,75	3,2	7	Steel SC
P0302.060-075-SC	M6x0,75	5	10	Steel SC
P0302.080-100-SC	M 8x1,0	6,14	13	Steel SC
P0302.100-100-SC	M10x1,0	7,64	17	Steel SC
P0302.100-125-SC	M10x1,25	7,64	17	Steel SC
P0302.120-150-SC	M12x1,5	9,64	19	Steel SC
P0302.120-125-SC	M12x1,25	9,64	19	Steel SC
P0302.140-150-SC	M14x1,5	10,3	22	Steel SC
P0302.160-150-SC	M16x1,5	12,3	24	Steel SC
P0302.180-150-SC	M18x1,5	14,3	27	Steel SC

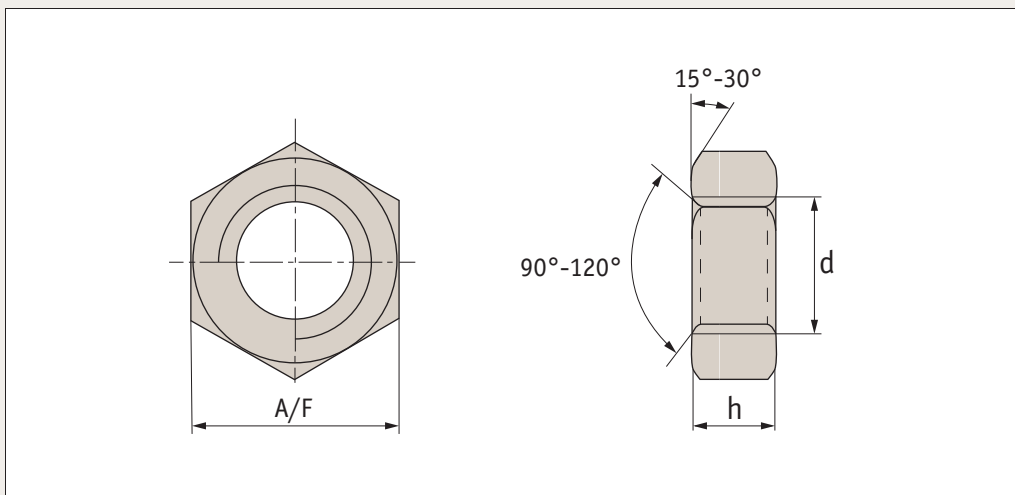


Order No.	d	h _{min.}	A/F	Material
P0302.200-150-SC	M20x1,5	14,9	30	Steel SC
P0302.200-200-SC	M20x2,0	14,9	30	Steel SC
P0302.220-150-SC	M22x1,5	16,9	32	Steel SC
P0302.240-150-SC	M24x1,5	17,7	36	Steel SC
P0302.240-200-SC	M24x2,0	17,7	36	Steel SC
P0302.270-150-SC	M27x1,5	20,7	41	Steel SC
P0302.270-200-SC	M27x2,0	20,7	41	Steel SC
P0302.300-150-SC	M30x1,5	22,7	46	Steel SC
P0302.300-200-SC	M30x2,0	22,7	46	Steel SC
P0302.360-150-SC	M36x1,5	27,4	55	Steel SC
P0302.360-300-SC	M36x3,0	27,4	55	Steel SC

Order No.	d	h _{min.}	A/F	Material
P0302.080-100-BR	M 8x1,0	6,14	13	Brass
P0302.100-100-BR	M10x1,0	7,64	17	Brass
P0302.120-150-BR	M12x1,5	9,64	19	Brass
P0302.140-150-BR	M14x1,5	10,3	22	Brass
P0302.160-150-BR	M16x1,5	12,3	24	Brass
P0302.180-150-BR	M18x1,5	14,3	27	Brass
P0302.200-150-BR	M20x1,5	14,9	30	Brass
P0302.220-150-BR	M22x1,5	16,9	32	Brass
P0302.240-150-BR	M24x1,5	17,7	36	Brass
P0302.270-150-BR	M27x1,5	20,7	41	Brass
P0302.300-150-BR	M30x1,5	22,7	46	Brass



P0301



Material

Stainless steel (A2 & A4, class 70), steel class 8 (zinc-plated & self-colour), brass and nylon.

Technical Notes

To DIN 934. Standard metric coarse pitch threads. For fine thread full nuts see P0302.

Order No.	d	h _{min.}	A/F	Material
P0301.014-A2	M1,4	0,95	3	A2 s/s
P0301.016-A2	M1,6	1,05	3,2	A2 s/s
P0301.020-A2	M 2	1,35	4	A2 s/s
P0301.025-A2	M2,5	1,75	5	A2 s/s
P0301.030-A2	M 3	2,15	5,5	A2 s/s
P0301.035-A2	M3,5	2,55	6	A2 s/s
P0301.040-A2	M 4	2,9	7	A2 s/s
P0301.050-A2	M 5	3,7	8	A2 s/s
P0301.060-A2	M 6	4,7	10	A2 s/s
P0301.070-A2	M 7	5,2	11	A2 s/s
P0301.080-A2	M 8	6,14	13	A2 s/s
P0301.100-A2	M10	7,64	17	A2 s/s
P0301.120-A2	M12	9,64	19	A2 s/s
P0301.140-A2	M14	10,3	22	A2 s/s
P0301.160-A2	M16	12,3	24	A2 s/s
P0301.180-A2	M18	14,3	27	A2 s/s
P0301.200-A2	M20	14,9	30	A2 s/s
P0301.220-A2	M22	16,9	32	A2 s/s
P0301.240-A2	M24	17,7	36	A2 s/s
P0301.270-A2	M27	20,7	41	A2 s/s
P0301.300-A2	M30	22,7	46	A2 s/s
P0301.330-A2	M33	24,7	50	A2 s/s
P0301.360-A2	M36	27,4	55	A2 s/s
P0301.420-A2	M42	32,4	65	A2 s/s
P0301.480-A2	M48	36,4	75	A2 s/s
P0301.014-A4	M1,4	0,95	3	A4 s/s
P0301.016-A4	M1,6	1,05	3,2	A4 s/s
P0301.020-A4	M 2	1,35	4	A4 s/s
P0301.025-A4	M2,5	1,75	5	A4 s/s
P0301.030-A4	M 3	2,15	5,5	A4 s/s
P0301.035-A4	M3,5	2,55	6	A4 s/s
P0301.040-A4	M 4	2,9	7	A4 s/s
P0301.050-A4	M 5	3,7	8	A4 s/s
P0301.060-A4	M 6	4,7	10	A4 s/s

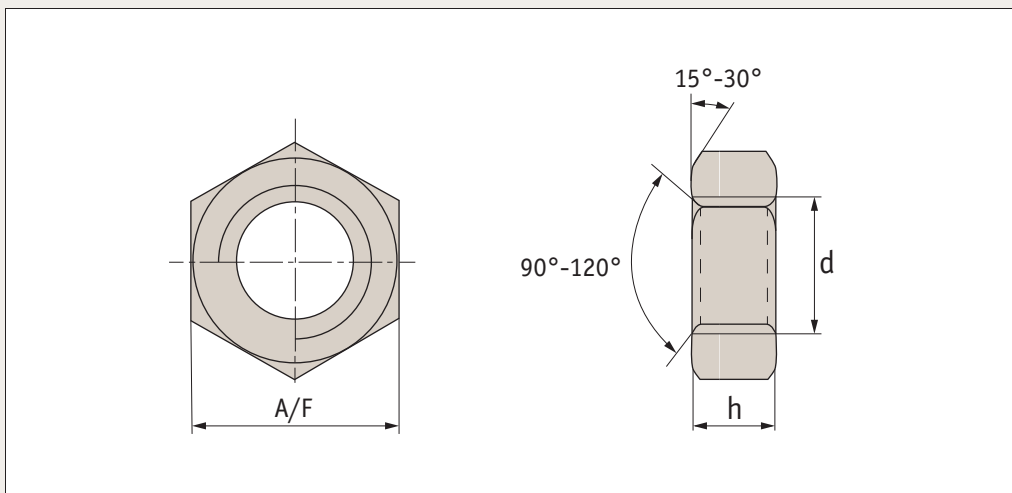
Order No.	d	h _{min.}	A/F	Material
P0301.070-A4	M 7	5,2	11	A4 s/s
P0301.080-A4	M 8	6,14	13	A4 s/s
P0301.100-A4	M10	7,64	17	A4 s/s
P0301.120-A4	M12	9,64	19	A4 s/s
P0301.140-A4	M14	10,3	22	A4 s/s
P0301.160-A4	M16	12,3	24	A4 s/s
P0301.180-A4	M18	14,3	27	A4 s/s
P0301.200-A4	M20	14,9	30	A4 s/s
P0301.220-A4	M22	16,9	32	A4 s/s
P0301.240-A4	M24	17,7	36	A4 s/s
P0301.270-A4	M27	20,7	41	A4 s/s
P0301.300-A4	M30	22,7	46	A4 s/s
P0301.330-A4	M33	24,7	50	A4 s/s
P0301.360-A4	M36	27,4	55	A4 s/s
P0301.420-A4	M42	32,4	65	A4 s/s
P0301.480-A4	M48	36,4	75	A4 s/s
P0301.020-ZP	M 2	1,35	4	Steel ZP
P0301.025-ZP	M2,5	1,75	5	Steel ZP
P0301.030-ZP	M 3	2,15	5,5	Steel ZP
P0301.035-ZP	M3,5	2,55	6	Steel ZP
P0301.040-ZP	M 4	2,9	7	Steel ZP
P0301.050-ZP	M 5	3,7	8	Steel ZP
P0301.060-ZP	M 6	4,7	10	Steel ZP
P0301.080-ZP	M 8	6,14	13	Steel ZP
P0301.100-ZP	M10	7,64	17	Steel ZP
P0301.120-ZP	M12	9,64	19	Steel ZP
P0301.140-ZP	M14	10,3	22	Steel ZP
P0301.160-ZP	M16	12,3	24	Steel ZP
P0301.180-ZP	M18	14,3	27	Steel ZP
P0301.200-ZP	M20	14,9	30	Steel ZP
P0301.220-ZP	M22	16,9	32	Steel ZP
P0301.240-ZP	M24	17,7	36	Steel ZP
P0301.300-ZP	M30	22,7	46	Steel ZP
P0301.330-ZP	M33	24,7	50	Steel ZP

Order No.	d	h _{min.}	A/F	Material
P0301.360-ZP	M36	27,4	55	Steel ZP
P0301.420-ZP	M42	32,4	65	Steel ZP
P0301.480-ZP	M48	36,4	75	Steel ZP
P0301.520-ZP	M52	42	80	Steel ZP
P0301.560-ZP	M56	45	85	Steel ZP
P0301.600-ZP	M60	48	90	Steel ZP
P0301.640-ZP	M64	51	95	Steel ZP
P0301.680-ZP	M68	54	100	Steel ZP
P0301.720-ZP	M72x6,0	58	105	Steel ZP
P0301.800-ZP	M80x6,0	64	115	Steel ZP
P0301.020-SC	M 2	1,35	4	Steel SC
P0301.025-SC	M2,5	1,75	5	Steel SC
P0301.030-SC	M 3	2,15	5,5	Steel SC
P0301.035-SC	M3,5	2,55	6	Steel SC
P0301.040-SC	M 4	2,9	7	Steel SC
P0301.050-SC	M 5	3,7	8	Steel SC
P0301.060-SC	M 6	4,7	10	Steel SC
P0301.070-SC	M 7	5,5	11	Steel SC
P0301.080-SC	M 8	6,14	13	Steel SC
P0301.100-SC	M10	7,64	17	Steel SC
P0301.120-SC	M12	9,64	19	Steel SC
P0301.140-SC	M14	10,3	22	Steel SC
P0301.160-SC	M16	12,3	24	Steel SC
P0301.180-SC	M18	14,3	27	Steel SC
P0301.200-SC	M20	14,9	30	Steel SC
P0301.220-SC	M22	16,9	32	Steel SC
P0301.240-SC	M24	17,7	36	Steel SC
P0301.270-SC	M27	20,7	41	Steel SC
P0301.300-SC	M30	22,7	46	Steel SC
P0301.330-SC	M33	24,7	50	Steel SC
P0301.360-SC	M36	27,4	55	Steel SC
P0301.420-SC	M42	32,4	65	Steel SC

Order No.	d	h _{min.}	A/F	Material
P0301.480-C	M48	36,4	75	Steel SC
P0301.520-SC	M52	42	80	Steel SC
P0301.560-SC	M56	45	85	Steel SC
P0301.600-SC	M60	48	90	Steel SC
P0301.640-SC	M64	51	95	Steel SC
P0301.680-SC	M68	54	100	Steel SC
P0301.720-SC	M72x6,0	58	105	Steel SC
P0301.800-SC	M80x6,0	64	115	Steel SC
P0301.020-BR	M 2	1,35	4	Brass
P0301.030-BR	M 3	2,15	5,5	Brass
P0301.040-BR	M 4	2,9	7	Brass
P0301.050-BR	M 5	3,7	8	Brass
P0301.060-BR	M 6	4,7	10	Brass
P0301.080-BR	M 8	6,14	13	Brass
P0301.100-BR	M10	7,64	17	Brass
P0301.120-BR	M12	9,64	19	Brass
P0301.140-BR	M14	10,3	22	Brass
P0301.160-BR	M16	12,3	24	Brass
P0301.180-BR	M18	14,3	27	Brass
P0301.200-BR	M20	14,9	30	Brass
P0301.220-BR	M22	16,9	32	Brass
P0301.240-BR	M24	17,7	36	Brass
P0301.030-NL	M 3	2,15	5,5	Nylon
P0301.040-NL	M 4	2,9	7	Nylon
P0301.050-NL	M 5	3,7	8	Nylon
P0301.060-NL	M 6	4,7	10	Nylon
P0301.080-NL	M 8	6,14	13	Nylon
P0301.100-NL	M10	7,64	17	Nylon
P0301.120-NL	M12	9,64	19	Nylon



P0303



Material

Stainless steel (A2 & A4, class 70), and steel class 8 (zinc-plated & self-colour).

Technical Notes

To DIN 934. These are the left hand thread versions.

Order No.	d	h _{min.}	A/F	Material
P0303.030-A2	M 3	2,15	5,5	A2 s/s
P0303.040-A2	M 4	2,9	7	A2 s/s
P0303.050-A2	M 5	3,7	8	A2 s/s
P0303.060-A2	M 6	4,7	10	A2 s/s
P0303.080-A2	M 8	6,14	13	A2 s/s
P0303.100-A2	M10	7,64	17	A2 s/s
P0303.100-100-A2	M10x1,0	7,64	17	A2 s/s
P0303.100-125-A2	M10x1,25	7,64	17	A2 s/s
P0303.120-A2	M12	9,64	19	A2 s/s
P0303.120-150-A2	M12x1,25	9,64	19	A2 s/s
P0303.120-150-A2	M12x1,5	9,64	19	A2 s/s
P0303.140-A2	M14	10,3	22	A2 s/s
P0303.160-A2	M16	12,3	24	A2 s/s
P0303.160-150-A2	M16x1,5	12,3	24	A2 s/s
P0303.180-A2	M18	14,3	27	A2 s/s
P0303.180-A2	M18	14,3	27	A2 s/s
P0303.200-A2	M20	14,9	30	A2 s/s
P0303.200-150-A2	M20x1,5	14,9	30	A2 s/s
P0303.220-A2	M22	16,9	32	A2 s/s
P0303.220-150-A2	M22x1,5	16,9	32	A2 s/s
P0303.240-A2	M24	17,7	36	A2 s/s
P0303.270-A2	M27	20,7	41	A2 s/s
P0303.270-200-A2	M27x2,0	20,7	41	A2 s/s
P0303.300-A2	M30	22,7	46	A2 s/s
P0303.300-200-A2	M30x2,0	22,7	46	A2 s/s
P0303.030-A4	M 3	2,15	5,5	A4 s/s
P0303.040-A4	M 4	2,9	7	A4 s/s
P0303.050-A4	M 5	3,7	8	A4 s/s
P0303.060-A4	M 6	4,7	10	A4 s/s
P0303.080-A4	M 8	6,14	13	A4 s/s
P0303.100-A4	M10	7,64	17	A4 s/s

Order No.	d	h _{min.}	A/F	Material
P0303.120-A4	M12	9,64	19	A4 s/s
P0303.140-A4	M14	10,3	22	A4 s/s
P0303.160-A4	M16	12,3	24	A4 s/s
P0303.180-A4	M18	14,3	27	A4 s/s
P0303.200-A4	M20	14,9	30	A4 s/s
P0303.220-A4	M22	16,9	32	A4 s/s
P0303.240-A4	M24	17,7	36	A4 s/s
P0303.270-A4	M27	20,7	41	A4 s/s
P0303.300-A4	M30	22,7	46	A4 s/s
P0303.050-ZP	M 5	3,7	8	Steel ZP
P0303.060-ZP	M 6	4,7	10	Steel ZP
P0303.080-ZP	M 8	6,14	13	Steel ZP
P0303.100-ZP	M10	7,64	17	Steel ZP
P0303.120-ZP	M12	9,64	19	Steel ZP
P0303.140-ZP	M14	10,3	22	Steel ZP
P0303.160-ZP	M16	12,3	24	Steel ZP
P0303.180-ZP	M18	14,3	27	Steel ZP
P0303.200-ZP	M20	14,9	30	Steel ZP
P0303.220-ZP	M22	16,9	32	Steel ZP
P0303.240-ZP	M24	17,7	36	Steel ZP
P0303.270-ZP	M27	20,7	41	Steel ZP
P0303.300-ZP	M30	22,7	46	Steel ZP
P0303.060-SC	M 6	4,7	10	Steel SC
P0303.080-SC	M 8	6,14	13	Steel SC
P0303.100-SC	M10	7,64	17	Steel SC
P0303.120-SC	M12	9,64	19	Steel SC
P0303.160-SC	M16	12,3	24	Steel SC
P0303.200-SC	M20	14,9	30	Steel SC
P0303.240-SC	M24	17,7	36	Steel SC