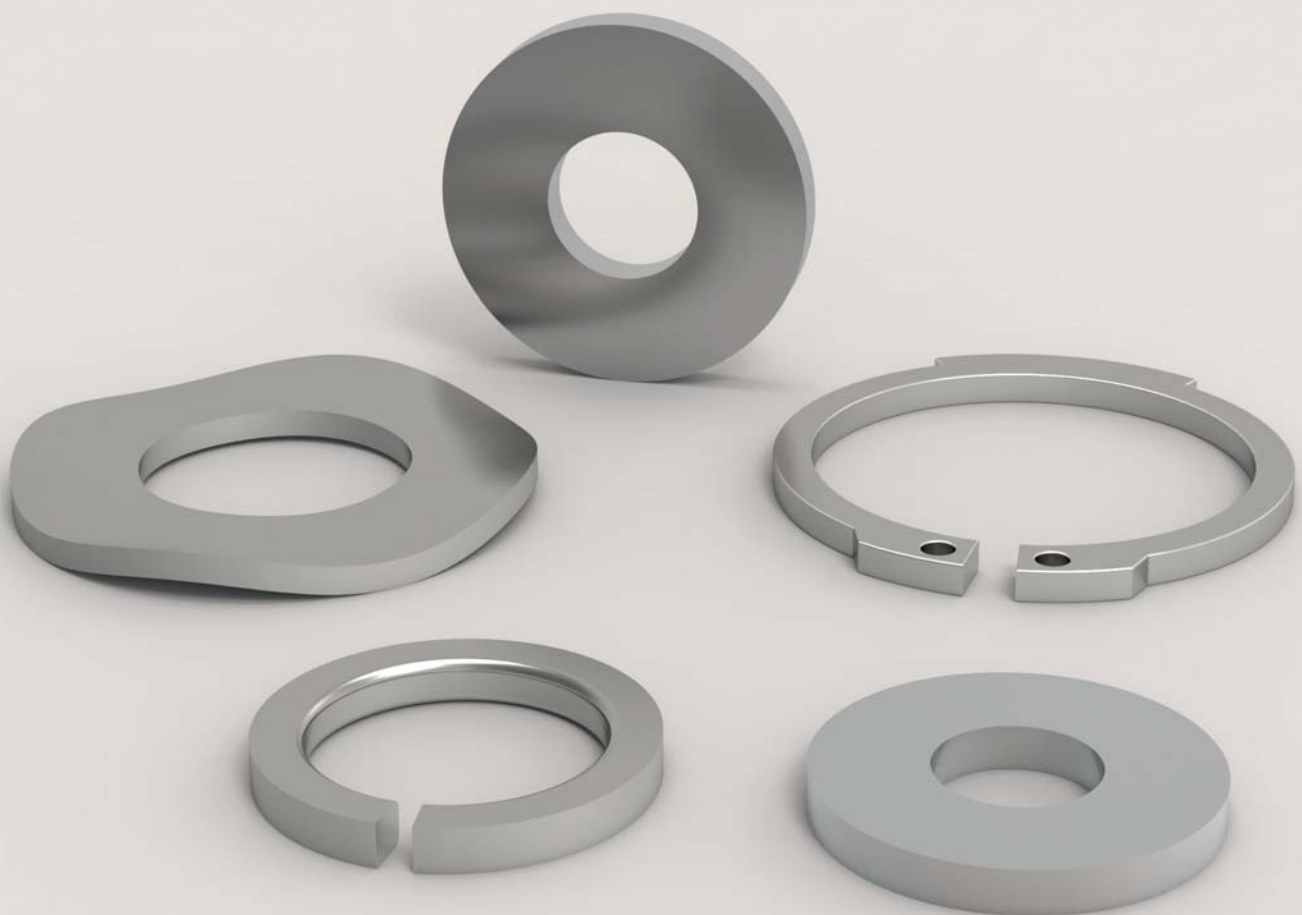
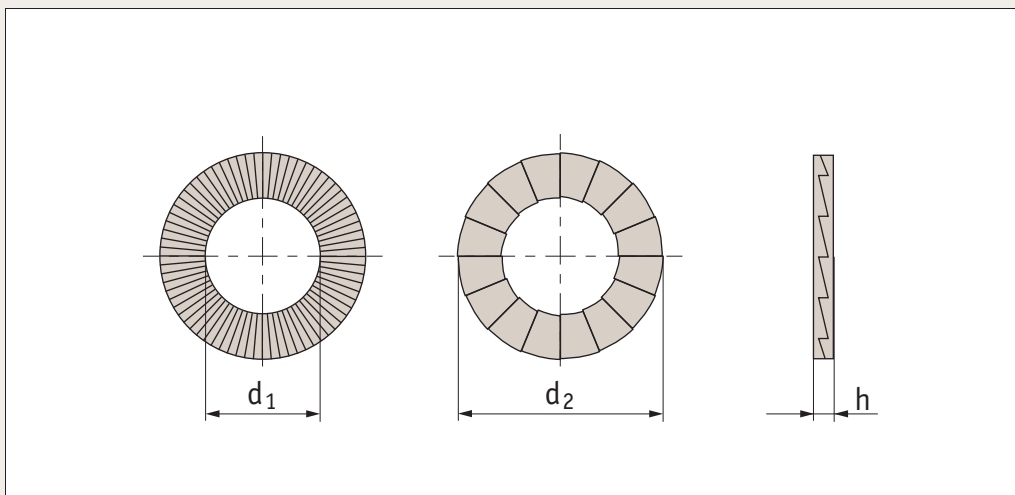


## Washers & Circlips





**P0367**



### Material

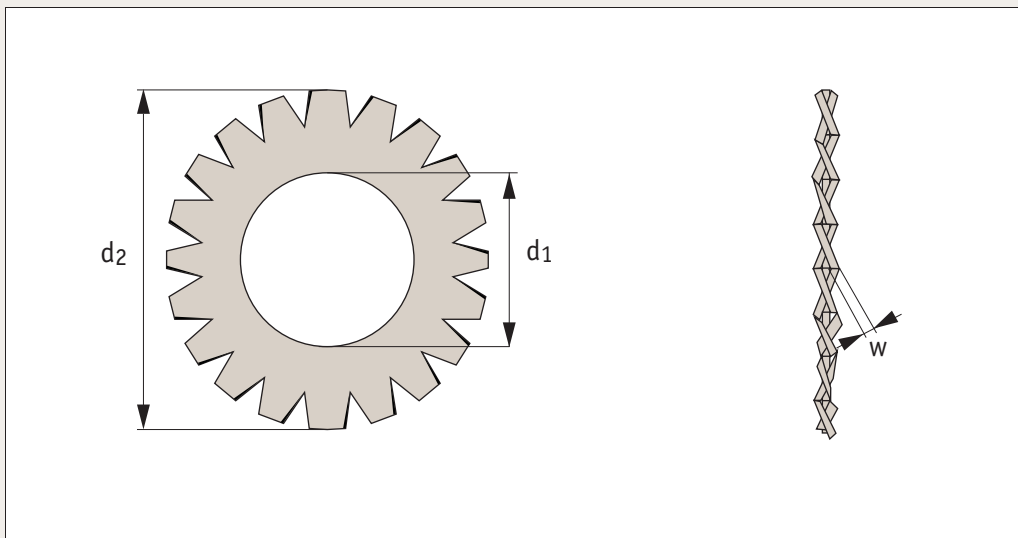
Steel (Deltaproteck treated), and stainless steel (A4, AISI 316).

### Technical Notes

Locking washer for vibration proofing and dynamic loads. Washers are installed in pairs, wedge face to wedge face.

| Order No.           | For thread | d <sub>1</sub> | d <sub>2</sub> | h <sub>&lt; set &gt;</sub> | Material |
|---------------------|------------|----------------|----------------|----------------------------|----------|
| <b>P0367.030-DP</b> | M 3        | 3,4            | 7,0            | 1,8                        | Steel DP |
| <b>P0367.040-DP</b> | M 4        | 4,4            | 7,6            | 1,8                        | Steel DP |
| <b>P0367.050-DP</b> | M 5        | 5,4            | 9,0            | 1,8                        | Steel DP |
| <b>P0367.060-DP</b> | M 6        | 6,5            | 10,8           | 1,8                        | Steel DP |
| <b>P0367.080-DP</b> | M 8        | 8,7            | 13,5           | 2,5                        | Steel DP |
| <b>P0367.100-DP</b> | M10        | 10,7           | 16,6           | 2,5                        | Steel DP |
| <b>P0367.120-DP</b> | M12        | 13             | 19,5           | 2,5                        | Steel DP |
| <b>P0367.140-DP</b> | M14        | 15,2           | 23,0           | 3,4                        | Steel DP |
| <b>P0367.160-DP</b> | M16        | 17             | 25,4           | 3,4                        | Steel DP |
| <b>P0367.180-DP</b> | M18        | 19,5           | 29,0           | 3,4                        | Steel DP |
| <b>P0367.200-DP</b> | M20        | 21,4           | 30,7           | 3,4                        | Steel DP |
| <b>P0367.220-DP</b> | M22        | 23,4           | 34,5           | 3,4                        | Steel DP |
| <b>P0367.240-DP</b> | M24        | 25,3           | 39,0           | 3,4                        | Steel DP |
| <b>P0367.270-DP</b> | M27        | 28,4           | 42,0           | 6,6                        | Steel DP |
| <b>P0367.300-DP</b> | M30        | 31,4           | 47,0           | 6,6                        | Steel DP |
| <b>P0367.330-DP</b> | M33        | 34,4           | 48,5           | 6,3                        | Steel DP |
| <b>P0367.360-DP</b> | M36        | 37,4           | 55,0           | 6,6                        | Steel DP |
| <b>P0367.420-DP</b> | M42        | 43,2           | 63,0           | 6,6                        | Steel DP |

| Order No.           | For thread | d <sub>1</sub> | d <sub>2</sub> | h <sub>&lt; set &gt;</sub> | Material |
|---------------------|------------|----------------|----------------|----------------------------|----------|
| <b>P0367.030-A4</b> | M 3        | 3,4            | 7,0            | 1,8                        | A4 s/s   |
| <b>P0367.040-A4</b> | M 4        | 4,4            | 7,6            | 1,8                        | A4 s/s   |
| <b>P0367.050-A4</b> | M 5        | 5,4            | 9,0            | 1,8                        | A4 s/s   |
| <b>P0367.060-A4</b> | M 6        | 6,5            | 10,8           | 1,8                        | A4 s/s   |
| <b>P0367.080-A4</b> | M 8        | 8,7            | 13,5           | 2,5                        | A4 s/s   |
| <b>P0367.100-A4</b> | M10        | 10,7           | 16,6           | 2,5                        | A4 s/s   |
| <b>P0367.120-A4</b> | M12        | 13             | 19,5           | 2,5                        | A4 s/s   |
| <b>P0367.140-A4</b> | M14        | 15,2           | 23,0           | 3,4                        | A4 s/s   |
| <b>P0367.160-A4</b> | M16        | 17             | 25,4           | 3,4                        | A4 s/s   |
| <b>P0367.180-A4</b> | M18        | 19,5           | 29,0           | 3,4                        | A4 s/s   |
| <b>P0367.200-A4</b> | M20        | 21,4           | 30,7           | 3,4                        | A4 s/s   |
| <b>P0367.220-A4</b> | M22        | 23,4           | 34,5           | 3,4                        | A4 s/s   |
| <b>P0367.240-A4</b> | M24        | 25,3           | 39,0           | 3,4                        | A4 s/s   |
| <b>P0367.270-A4</b> | M27        | 28,4           | 42,0           | 6,6                        | A4 s/s   |
| <b>P0367.300-A4</b> | M30        | 31,4           | 47,0           | 6,6                        | A4 s/s   |
| <b>P0367.330-A4</b> | M33        | 34,4           | 48,5           | 6,3                        | A4 s/s   |
| <b>P0367.360-A4</b> | M36        | 37,4           | 55,0           | 6,6                        | A4 s/s   |
| <b>P0367.420-A4</b> | M42        | 43,2           | 63,0           | 6,6                        | A4 s/s   |



## P0372

### Material

Stainless steel (A2 AISI 303 or A4 AISI 316), spring steel (zinc-plated or self-colour).

### Technical Notes

To DIN 6798 A.

| Order No.    | d <sub>1</sub><br>for thread | d <sub>2</sub> | w   | Material |
|--------------|------------------------------|----------------|-----|----------|
| P0372.020-A2 | M 2                          | 4,5            | 0,3 | A2 s/s   |
| P0372.025-A2 | M2,5                         | 5,5            | 0,4 | A2 s/s   |
| P0372.030-A2 | M 3                          | 6,0            | 0,4 | A2 s/s   |
| P0372.035-A2 | M3,5                         | 7,0            | 0,5 | A2 s/s   |
| P0372.040-A2 | M 4                          | 8,0            | 0,5 | A2 s/s   |
| P0372.050-A2 | M 5                          | 9,0            | 0,6 | A2 s/s   |
| P0372.051-A2 | M 5                          | 10,0           | 0,6 | A2 s/s   |
| P0372.060-A2 | M 6                          | 11,0           | 0,7 | A2 s/s   |
| P0372.070-A2 | M 7                          | 12,5           | 0,8 | A2 s/s   |
| P0372.080-A2 | M 8                          | 14,0           | 0,8 | A2 s/s   |
| P0372.081-A2 | M 8                          | 15,0           | 0,9 | A2 s/s   |
| P0372.100-A2 | M10                          | 18,0           | 1,0 | A2 s/s   |
| P0372.120-A2 | M12                          | 20,5           | 1,0 | A2 s/s   |
| P0372.140-A2 | M14                          | 24,0           | 1,2 | A2 s/s   |
| P0372.160-A2 | M16                          | 26,0           | 1,4 | A2 s/s   |
| P0372.180-A2 | M18                          | 30,0           | 1,4 | A2 s/s   |
| P0372.200-A2 | M20                          | 33,0           | 1,5 | A2 s/s   |
| P0372.220-A2 | M22                          | 36,0           | 1,5 | A2 s/s   |
| P0372.240-A2 | M24                          | 38,0           | 1,6 | A2 s/s   |
| P0372.270-A2 | M27                          | 44,0           | 1,6 | A2 s/s   |
| P0372.300-A2 | M30                          | 48,0           | 1,6 | A2 s/s   |
| P0372.020-A4 | M 2                          | 4,5            | 0,3 | A4 s/s   |
| P0372.025-A4 | M2,5                         | 5,5            | 0,4 | A4 s/s   |
| P0372.030-A4 | M 3                          | 6,0            | 0,4 | A4 s/s   |
| P0372.035-A4 | M3,5                         | 7,0            | 0,5 | A4 s/s   |
| P0372.040-A4 | M 4                          | 8,0            | 0,5 | A4 s/s   |
| P0372.050-A4 | M 5                          | 9,0            | 0,6 | A4 s/s   |
| P0372.051-A4 | M 5                          | 10,0           | 0,6 | A4 s/s   |
| P0372.060-A4 | M 6                          | 11,0           | 0,7 | A4 s/s   |
| P0372.070-A4 | M 7                          | 12,5           | 0,8 | A4 s/s   |
| P0372.080-A4 | M 8                          | 14,0           | 0,8 | A4 s/s   |
| P0372.081-A4 | M 8                          | 15,0           | 0,8 | A4 s/s   |

| Order No.    | d <sub>1</sub><br>for thread | d <sub>2</sub> | w   | Material |
|--------------|------------------------------|----------------|-----|----------|
| P0372.090-A4 | M 9                          | 15,0           | 0,9 | A4 s/s   |
| P0372.100-A4 | M10                          | 18,0           | 1,0 | A4 s/s   |
| P0372.120-A4 | M12                          | 20,5           | 1,0 | A4 s/s   |
| P0372.140-A4 | M14                          | 24,0           | 1,2 | A4 s/s   |
| P0372.160-A4 | M16                          | 26,0           | 1,4 | A4 s/s   |
| P0372.180-A4 | M18                          | 30,0           | 1,4 | A4 s/s   |
| P0372.200-A4 | M20                          | 33,0           | 1,5 | A4 s/s   |
| P0372.220-A4 | M22                          | 36,0           | 1,5 | A4 s/s   |
| P0372.240-A4 | M24                          | 38,0           | 1,6 | A4 s/s   |
| P0372.270-A4 | M27                          | 44,0           | 1,6 | A4 s/s   |
| P0372.300-A4 | M30                          | 48,0           | 1,6 | A4 s/s   |
| P0372.020-ZP | M 2                          | 4,5            | 0,3 | Steel ZP |
| P0372.025-ZP | M2,5                         | 5,5            | 0,4 | Steel ZP |
| P0372.030-ZP | M 3                          | 6,0            | 0,4 | Steel ZP |
| P0372.035-ZP | M3,5                         | 7,0            | 0,5 | Steel ZP |
| P0372.040-ZP | M 4                          | 8,0            | 0,5 | Steel ZP |
| P0372.050-ZP | M 5                          | 9,0            | 0,6 | Steel ZP |
| P0372.051-ZP | M 5                          | 10,0           | 0,6 | Steel ZP |
| P0372.060-ZP | M 6                          | 11,0           | 0,7 | Steel ZP |
| P0372.070-ZP | M 7                          | 12,5           | 0,8 | Steel ZP |
| P0372.080-ZP | M 8                          | 14,0           | 0,8 | Steel ZP |
| P0372.081-ZP | M 8                          | 14,0           | 0,8 | Steel ZP |
| P0372.090-ZP | M 9                          | 15,0           | 0,9 | Steel ZP |
| P0372.100-ZP | M10                          | 18,0           | 1,0 | Steel ZP |
| P0372.120-ZP | M12                          | 20,5           | 1,0 | Steel ZP |
| P0372.140-ZP | M14                          | 24,0           | 1,2 | Steel ZP |
| P0372.160-ZP | M16                          | 26,0           | 1,4 | Steel ZP |
| P0372.180-ZP | M18                          | 30,0           | 1,4 | Steel ZP |
| P0372.200-ZP | M20                          | 33,0           | 1,5 | Steel ZP |
| P0372.220-ZP | M22                          | 36,0           | 1,5 | Steel ZP |
| P0372.240-ZP | M24                          | 38,0           | 1,6 | Steel ZP |

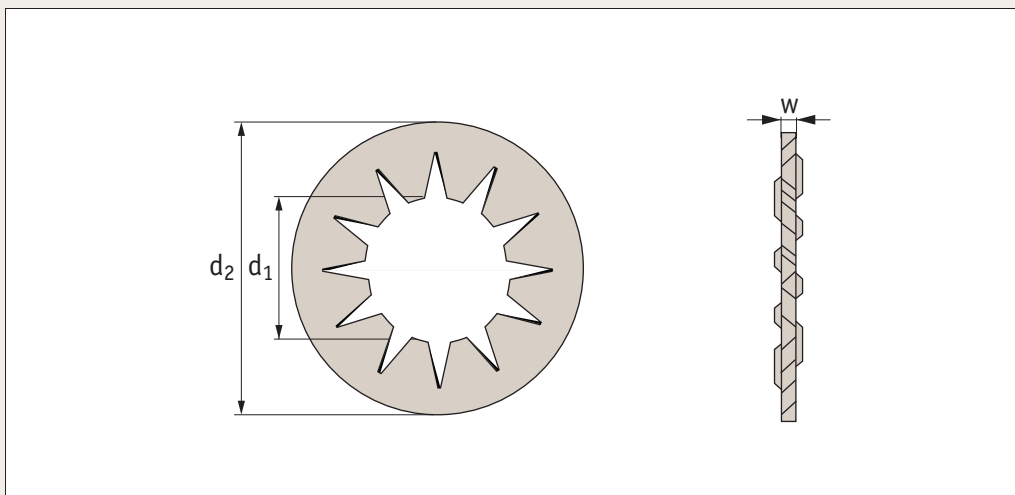


| Order No.           | d <sub>1</sub><br>for thread | d <sub>2</sub> | w   | Material |
|---------------------|------------------------------|----------------|-----|----------|
| <b>P0372.020-SC</b> | M 2                          | 4,5            | 0,3 | Steel SC |
| <b>P0372.025-SC</b> | M2,5                         | 5,5            | 0,4 | Steel SC |
| <b>P0372.030-SC</b> | M 3                          | 6,0            | 0,4 | Steel SC |
| <b>P0372.035-SC</b> | M3,5                         | 7,0            | 0,5 | Steel SC |
| <b>P0372.040-SC</b> | M 4                          | 8,0            | 0,5 | Steel SC |
| <b>P0372.050-SC</b> | M 5                          | 9,0            | 0,6 | Steel SC |
| <b>P0372.051-SC</b> | M 5                          | 10,0           | 0,6 | Steel SC |
| <b>P0372.060-SC</b> | M 6                          | 11,0           | 0,7 | Steel SC |
| <b>P0372.070-SC</b> | M 7                          | 12,5           | 0,8 | Steel SC |
| <b>P0372.080-SC</b> | M 8                          | 14,0           | 0,8 | Steel SC |
| <b>P0372.081-SC</b> | M 8                          | 14,0           | 0,8 | Steel SC |
| <b>P0372.090-SC</b> | M 9                          | 15,0           | 0,9 | Steel SC |

| Order No.           | d <sub>1</sub><br>for thread | d <sub>2</sub> | w   | Material |
|---------------------|------------------------------|----------------|-----|----------|
| <b>P0372.100-SC</b> | M10                          | 18,0           | 1,0 | Steel SC |
| <b>P0372.120-SC</b> | M12                          | 20,5           | 1,0 | Steel SC |
| <b>P0372.140-SC</b> | M14                          | 24,0           | 1,2 | Steel SC |
| <b>P0372.160-SC</b> | M16                          | 26,0           | 1,4 | Steel SC |
| <b>P0372.180-SC</b> | M18                          | 30,0           | 1,4 | Steel SC |
| <b>P0372.200-SC</b> | M20                          | 33,0           | 1,5 | Steel SC |
| <b>P0372.220-SC</b> | M22                          | 36,0           | 1,5 | Steel SC |
| <b>P0372.240-SC</b> | M24                          | 38,0           | 1,6 | Steel SC |
| <b>P0372.270-SC</b> | M27                          | 44,0           | 1,6 | Steel SC |
| <b>P0372.300-SC</b> | M30                          | 48,0           | 1,6 | Steel SC |



## P0373



### Material

Stainless steel (A2 AISI 303 or A4 AISI 316), spring steel (zinc-plated or self-colour).

### Technical Notes

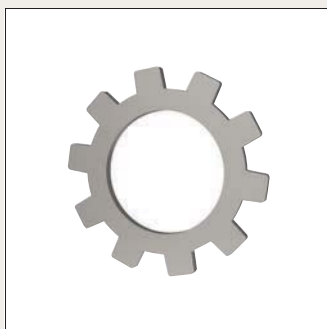
To DIN 6798 B.

| Order No.    | d <sub>1</sub><br>for thread | d <sub>2</sub> | w   | Material |
|--------------|------------------------------|----------------|-----|----------|
| P0373.020-A2 | M 2                          | 4,5            | 0,3 | A2 s/s   |
| P0373.025-A2 | M2,5                         | 5,5            | 0,4 | A2 s/s   |
| P0373.030-A2 | M 3                          | 6,0            | 0,4 | A2 s/s   |
| P0373.035-A2 | M3,5                         | 7,0            | 0,5 | A2 s/s   |
| P0373.040-A2 | M 4                          | 8,0            | 0,5 | A2 s/s   |
| P0373.050-A2 | M 5                          | 10,0           | 0,6 | A2 s/s   |
| P0373.060-A2 | M 6                          | 11,0           | 0,7 | A2 s/s   |
| P0373.070-A2 | M 7                          | 12,5           | 0,8 | A2 s/s   |
| P0373.080-A2 | M 8                          | 15,0           | 0,8 | A2 s/s   |
| P0373.100-A2 | M10                          | 18,0           | 0,9 | A2 s/s   |
| P0373.120-A2 | M12                          | 20,5           | 1,0 | A2 s/s   |
| P0373.140-A2 | M14                          | 24,0           | 1,0 | A2 s/s   |
| P0373.160-A2 | M16                          | 26,0           | 1,2 | A2 s/s   |
| P0373.180-A2 | M18                          | 30,0           | 1,4 | A2 s/s   |
| P0373.200-A2 | M20                          | 33,0           | 1,4 | A2 s/s   |
| P0373.220-A2 | M22                          | 36,0           | 1,5 | A2 s/s   |
| P0373.240-A2 | M24                          | 38,0           | 1,5 | A2 s/s   |
| P0373.270-A2 | M27                          | 44,0           | 1,6 | A2 s/s   |
| P0373.300-A2 | M30                          | 48,0           | 1,6 | A2 s/s   |
| P0373.020-A4 | M 2                          | 4,5            | 0,3 | A4 s/s   |
| P0373.025-A4 | M2,5                         | 5,5            | 0,4 | A4 s/s   |
| P0373.030-A4 | M 3                          | 6,0            | 0,4 | A4 s/s   |
| P0373.035-A4 | M3,5                         | 7,0            | 0,5 | A4 s/s   |
| P0373.040-A4 | M 4                          | 8,0            | 0,5 | A4 s/s   |
| P0373.050-A4 | M 5                          | 10,0           | 0,6 | A4 s/s   |
| P0373.060-A4 | M 6                          | 11,0           | 0,7 | A4 s/s   |
| P0373.070-A4 | M 7                          | 12,5           | 0,8 | A4 s/s   |
| P0373.080-A4 | M 8                          | 15,0           | 0,8 | A4 s/s   |
| P0373.100-A4 | M10                          | 18,0           | 0,9 | A4 s/s   |
| P0373.120-A4 | M12                          | 20,5           | 1,0 | A4 s/s   |
| P0373.140-A4 | M14                          | 24,0           | 1,0 | A4 s/s   |
| P0373.160-A4 | M16                          | 26,0           | 1,2 | A4 s/s   |
| P0373.180-A4 | M18                          | 30,0           | 1,4 | A4 s/s   |

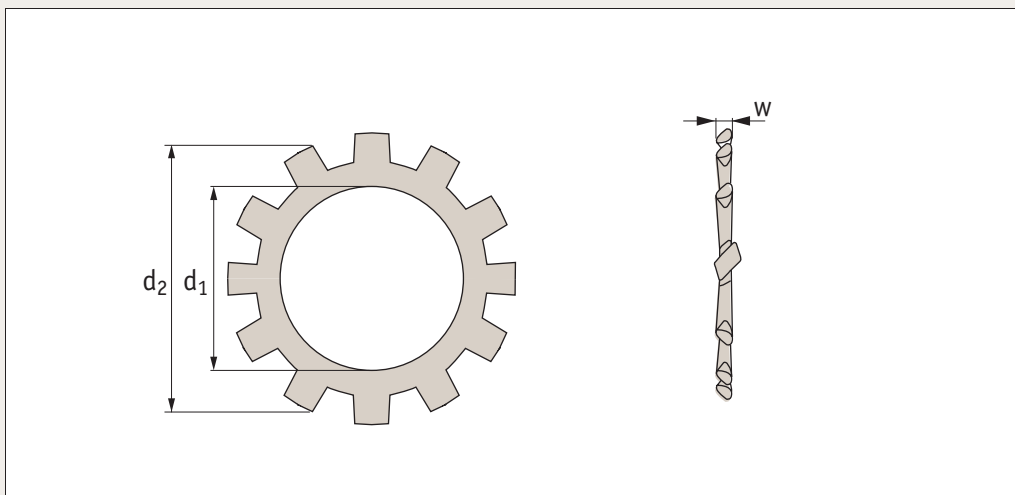
| Order No.    | d <sub>1</sub><br>for thread | d <sub>2</sub> | w   | Material |
|--------------|------------------------------|----------------|-----|----------|
| P0373.200-A4 | M20                          | 33,0           | 1,4 | A4 s/s   |
| P0373.220-A4 | M22                          | 36,0           | 1,5 | A4 s/s   |
| P0373.240-A4 | M24                          | 38,0           | 1,5 | A4 s/s   |
| P0373.270-A4 | M27                          | 44,0           | 1,6 | A4 s/s   |
| P0373.300-A4 | M30                          | 48,0           | 1,6 | A4 s/s   |
| P0373.020-ZP | M 2                          | 4,5            | 0,3 | Steel ZP |
| P0373.025-ZP | M2,5                         | 5,5            | 0,4 | Steel ZP |
| P0373.030-ZP | M 3                          | 6,0            | 0,4 | Steel ZP |
| P0373.035-ZP | M3,5                         | 7,0            | 0,5 | Steel ZP |
| P0373.040-ZP | M 4                          | 8,0            | 0,5 | Steel ZP |
| P0373.050-ZP | M 5                          | 10,0           | 0,6 | Steel ZP |
| P0373.060-ZP | M 6                          | 11,0           | 0,7 | Steel ZP |
| P0373.070-ZP | M 7                          | 12,5           | 0,8 | Steel ZP |
| P0373.080-ZP | M 8                          | 15,0           | 0,8 | Steel ZP |
| P0373.100-ZP | M10                          | 18,0           | 0,9 | Steel ZP |
| P0373.120-ZP | M12                          | 20,5           | 1,0 | Steel ZP |
| P0373.140-ZP | M14                          | 24,0           | 1,0 | Steel ZP |
| P0373.160-ZP | M16                          | 26,0           | 1,2 | Steel ZP |
| P0373.180-ZP | M18                          | 30,0           | 1,4 | Steel ZP |
| P0373.200-ZP | M20                          | 33,0           | 1,4 | Steel ZP |
| P0373.220-ZP | M22                          | 36,0           | 1,5 | Steel ZP |
| P0373.240-ZP | M24                          | 38,0           | 1,5 | Steel ZP |
| P0373.020-SC | M 2                          | 4,5            | 0,3 | Steel SC |
| P0373.025-SC | M2,5                         | 5,5            | 0,4 | Steel SC |
| P0373.030-SC | M 3                          | 6,0            | 0,4 | Steel SC |
| P0373.035-SC | M3,5                         | 7,0            | 0,5 | Steel SC |
| P0373.040-SC | M 4                          | 8,0            | 0,5 | Steel SC |
| P0373.050-SC | M 5                          | 10,0           | 0,6 | Steel SC |
| P0373.060-SC | M 6                          | 11,0           | 0,7 | Steel SC |
| P0373.070-SC | M 7                          | 12,5           | 0,8 | Steel SC |
| P0373.080-SC | M 8                          | 15,0           | 0,8 | Steel SC |
| P0373.100-SC | M10                          | 18,0           | 0,9 | Steel SC |

| Order No.           | d <sub>1</sub><br>for thread | d <sub>2</sub> | w   | Material |
|---------------------|------------------------------|----------------|-----|----------|
| <b>P0373.120-SC</b> | M12                          | 20,5           | 1,0 | Steel SC |
| <b>P0373.140-SC</b> | M14                          | 24,0           | 1,0 | Steel SC |
| <b>P0373.160-SC</b> | M16                          | 26,0           | 1,2 | Steel SC |
| <b>P0373.180-SC</b> | M18                          | 30,0           | 1,4 | Steel SC |
| <b>P0373.200-SC</b> | M20                          | 33,0           | 1,4 | Steel SC |

| Order No.           | d <sub>1</sub><br>for thread | d <sub>2</sub> | w   | Material |
|---------------------|------------------------------|----------------|-----|----------|
| <b>P0373.220-SC</b> | M22                          | 36,0           | 1,5 | Steel SC |
| <b>P0373.240-SC</b> | M24                          | 38,0           | 1,5 | Steel SC |
| <b>P0373.270-SC</b> | M27                          | 44,0           | 1,6 | Steel SC |
| <b>P0373.300-SC</b> | M30                          | 48,0           | 1,6 | Steel SC |



## P0374



### Material

Stainless steel (A2, AISI 303), spring steel (zinc-plated or self-colour).

### Technical Notes

To DIN 6797 AZ.

| Order No.    | d <sub>1</sub><br>for thread | d <sub>2</sub> | w   | Material |
|--------------|------------------------------|----------------|-----|----------|
| P0374.020-A2 | M 2                          | 4,5            | 0,3 | A2 s/s   |
| P0374.025-A2 | M2,5                         | 5,5            | 0,4 | A2 s/s   |
| P0374.030-A2 | M 3                          | 5,5            | 0,4 | A2 s/s   |
| P0374.035-A2 | M3,5                         | 6,0            | 0,4 | A2 s/s   |
| P0374.040-A2 | M 4                          | 7,0            | 0,5 | A2 s/s   |
| P0374.050-A2 | M 5                          | 8,0            | 0,5 | A2 s/s   |
| P0374.060-A2 | M 6                          | 11,0           | 0,7 | A2 s/s   |
| P0374.070-A2 | M 7                          | 12,5           | 0,8 | A2 s/s   |
| P0374.080-A2 | M 8                          | 15,0           | 0,8 | A2 s/s   |
| P0374.100-A2 | M10                          | 18,0           | 0,9 | A2 s/s   |
| P0374.120-A2 | M12                          | 20,5           | 1,0 | A2 s/s   |
| P0374.140-A2 | M14                          | 24,0           | 1,0 | A2 s/s   |
| P0374.160-A2 | M16                          | 26,0           | 1,2 | A2 s/s   |
| P0374.180-A2 | M18                          | 30,0           | 1,4 | A2 s/s   |
| P0374.200-A2 | M20                          | 33,0           | 1,4 | A2 s/s   |
| P0374.220-A2 | M22                          | 36,0           | 1,5 | A2 s/s   |
| P0374.240-A2 | M24                          | 38,0           | 1,5 | A2 s/s   |
| P0374.270-A2 | M27                          | 44,0           | 1,6 | A2 s/s   |
| P0374.300-A2 | M30                          | 48,0           | 1,6 | A2 s/s   |

| Order No.    | d <sub>1</sub><br>for thread | d <sub>2</sub> | w   | Material |
|--------------|------------------------------|----------------|-----|----------|
| P0374.030-ZP | M 3                          | 5,5            | 0,4 | Steel ZP |
| P0374.040-ZP | M 4                          | 7,0            | 0,5 | Steel ZP |
| P0374.050-ZP | M 5                          | 8,0            | 0,5 | Steel ZP |
| P0374.060-ZP | M 6                          | 11,0           | 0,7 | Steel ZP |
| P0374.080-ZP | M 8                          | 15,0           | 0,8 | Steel ZP |
| P0374.100-ZP | M10                          | 18,0           | 0,9 | Steel ZP |
| P0374.030-SC | M 3                          | 5,5            | 0,4 | Steel SC |
| P0374.040-SC | M 4                          | 7,0            | 0,5 | Steel SC |
| P0374.050-SC | M 5                          | 8,0            | 0,5 | Steel SC |
| P0374.060-SC | M 6                          | 11,0           | 0,7 | Steel SC |
| P0374.080-SC | M 8                          | 15,0           | 0,8 | Steel SC |
| P0374.100-SC | M10                          | 18,0           | 0,9 | Steel SC |
| P0374.120-SC | M12                          | 20,5           | 1,0 | Steel SC |
| P0374.140-SC | M14                          | 24,0           | 1,0 | Steel SC |
| P0374.160-SC | M16                          | 26,0           | 1,2 | Steel SC |
| P0374.200-SC | M20                          | 33,0           | 1,4 | Steel SC |
| P0374.240-SC | M24                          | 38,0           | 1,5 | Steel SC |