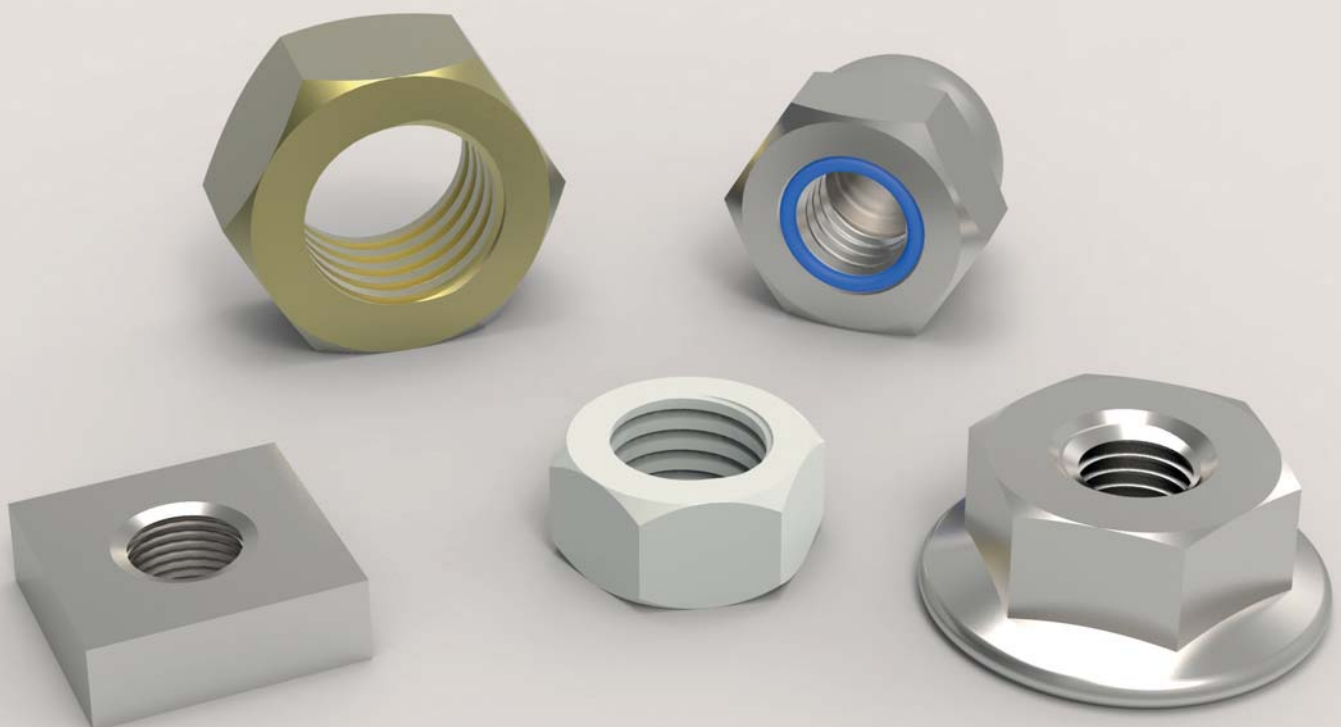
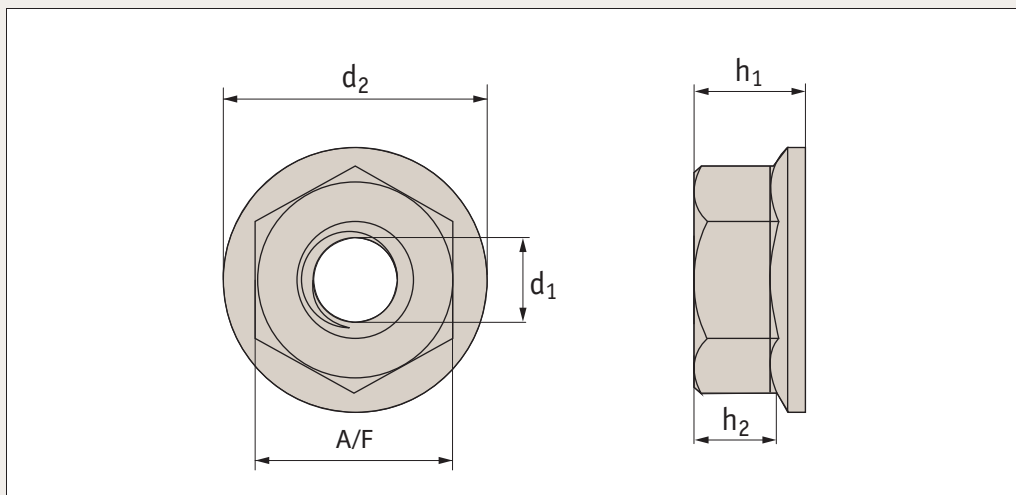


Nuts





P0309



Material

Stainless steel (A2 & A4) and steel, zinc-plated (class 8).

Technical Notes

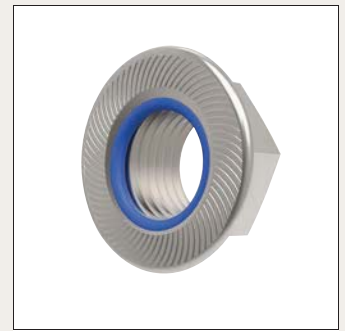
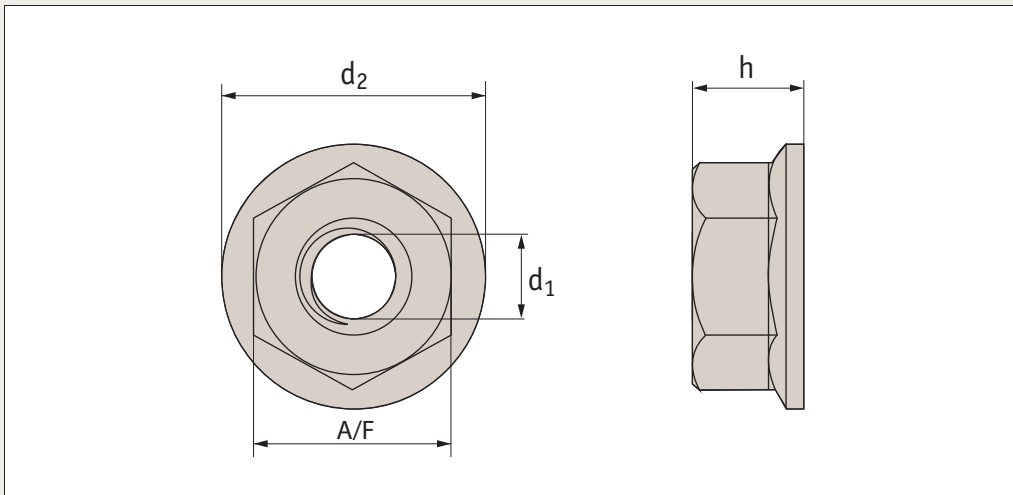
To DIN 6923, serrated.

Order No.	d ₁	d _{2 max.}	h _{1 max.}	h _{2 min.}	A/F	Material
P0309.040-A2	M 4	10	4,65	1,9	7	A2 s/s
P0309.050-A2	M 5	11,8	5,0	2,2	8	A2 s/s
P0309.060-A2	M 6	14,2	6,0	3,1	10	A2 s/s
P0309.080-A2	M 8	17,9	8,0	4,5	13	A2 s/s
P0309.100-A2	M10	21,8	10,0	5,5	15	A2 s/s
P0309.120-A2	M12	26,0	12,0	6,7	18	A2 s/s
P0309.160-A2	M16	34,5	16,0	-	24	A2 s/s
P0309.030-A4	M 3	8	3,7	-	5,5	A4 s/s
P0309.040-A4	M 4	10	4,65	1,9	7	A4 s/s
P0309.050-A4	M 5	11,8	5,0	2,2	8	A4 s/s
P0309.060-A4	M 6	14,2	6,0	3,1	10	A4 s/s
P0309.080-A4	M 8	17,9	8,0	4,5	13	A4 s/s

Order No.	d ₁	d _{2 max.}	h _{1 max.}	h _{2 min.}	A/F	Material
P0309.100-A4	M10	21,8	10,0	5,5	15	A4 s/s
P0309.120-A4	M12	26,0	12,0	6,7	18	A4 s/s
P0309.160-A4	M16	34,5	16,0	-	24	A4 s/s
P0309.040-ZP	M 4	10	4,65	1,9	7	Steel ZP
P0309.050-ZP	M 5	11,8	5,0	2,2	8	Steel ZP
P0309.060-ZP	M 6	14,2	6,0	3,1	10	Steel ZP
P0309.080-ZP	M 8	17,9	8,0	4,5	13	Steel ZP
P0309.100-ZP	M10	21,8	10,0	5,5	15	Steel ZP
P0309.120-ZP	M12	26,0	12,0	6,7	18	Steel ZP
P0309.160-ZP	M16	34,5	16,0	-	24	Steel ZP
P0309.200-ZP	M20	42,8	20,0	-	30	Steel ZP

Nylon Insert Serrated Flanged Nuts

Nuts



P0310

Material

Stainless steel (A2 & A4), and steel, zinc-plated (class 8).

Technical Notes

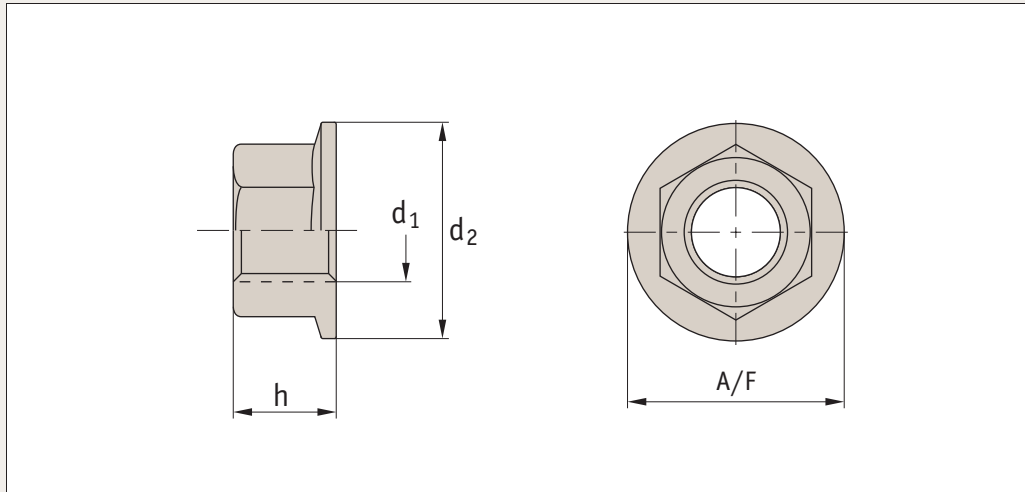
To DIN 6926, serrated.

Order No.	d ₁	d _{2 max.}	h _{max.}	A/F	Material
P0310.040-A2	M 4	10	4,5	7	A2 s/s
P0310.050-A2	M 5	11,8	5,0	8	A2 s/s
P0310.060-A2	M 6	14,2	6,0	10	A2 s/s
P0310.080-A2	M 8	17,9	8,0	13	A2 s/s
P0310.100-A2	M10	21,8	10,0	15	A2 s/s
P0310.120-A2	M12	26,0	12,0	18	A2 s/s
P0310.040-A4	M 4	10	4,65	7	A4 s/s
P0310.050-A4	M 5	11,8	5,0	8	A4 s/s
P0310.060-A4	M 6	14,2	6,0	10	A4 s/s
P0310.080-A4	M 8	17,9	8,0	13	A4 s/s

Order No.	d ₁	d _{2 max.}	h _{max.}	A/F	Material
P0310.100-A4	M10	21,8	10,0	15	A4 s/s
P0310.120-A4	M12	26,0	12,0	18	A4 s/s
P0310.050-ZP	M 5	11,8	5,0	8	Steel ZP
P0310.060-ZP	M 6	14,2	6,0	10	Steel ZP
P0310.080-ZP	M 8	17,9	8,0	13	Steel ZP
P0310.100-ZP	M10	21,8	10,0	15	Steel ZP
P0310.120-ZP	M12	26,0	12,0	18	Steel ZP
P0310.160-ZP	M16	34,5	16,0	24	Steel ZP



P0311



Material

Stainless steel (A2), and steel, zinc-plated (class 8).

Technical Notes

To DIN 6923.

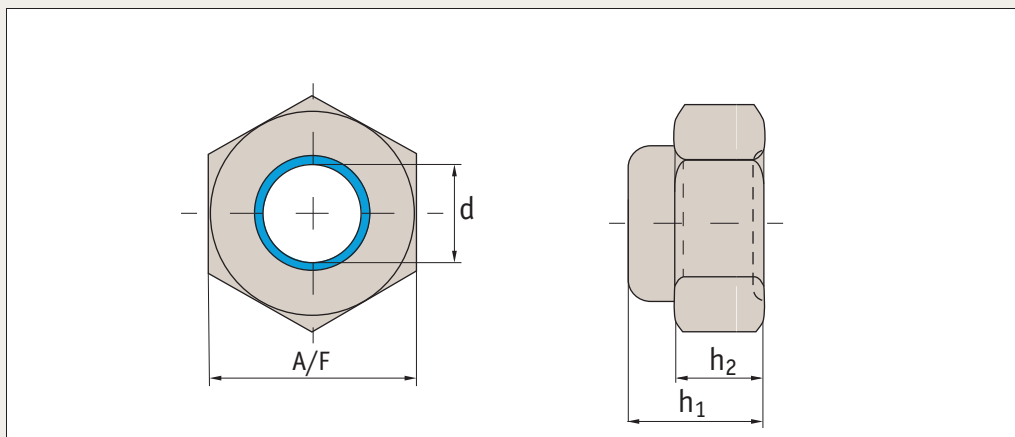
Order No.	d ₁	d _{2 max.}	h _{max.}	A/F	Material
P0311.040-A2	M 4	10,0	4,5	7	A2 s/s
P0311.050-A2	M 5	11,8	5,0	8	A2 s/s
P0311.060-A2	M 6	14,2	6,0	10	A2 s/s
P0311.080-A2	M 8	17,9	8,0	13	A2 s/s
P0311.100-A2	M10	21,8	10,0	15	A2 s/s
P0311.120-A2	M12	26,0	12,0	18	A2 s/s
P0311.140-A2	M14	30,0	14,0	21	A2 s/s
P0311.160-A2	M16	34,5	16,0	24	A2 s/s
P0311.200-A2	M20	43,0	20,0	30	A2 s/s
P0311.240-A2	M24	51,0	24,0	36	A2 s/s

Order No.	d ₁	d _{2 max.}	h _{max.}	A/F	Material
P0311.040-ZP	M 4	10,0	4,5	7	Steel ZP
P0311.050-ZP	M 5	11,8	5,0	8	Steel ZP
P0311.060-ZP	M 6	14,2	6,0	10	Steel ZP
P0311.080-ZP	M 8	17,9	8,0	13	Steel ZP
P0311.100-ZP	M10	21,8	10,0	15	Steel ZP
P0311.120-ZP	M12	26,0	12,0	18	Steel ZP
P0311.140-ZP	M14	30,0	14,0	21	Steel ZP
P0311.160-ZP	M16	34,5	16,0	24	Steel ZP
P0311.200-ZP	M20	43,0	20,0	30	Steel ZP
P0311.240-ZP	M24	51,0	24,0	36	Steel ZP

Nylon Insert Nuts

type T

Nuts & Washers



P0314

Material

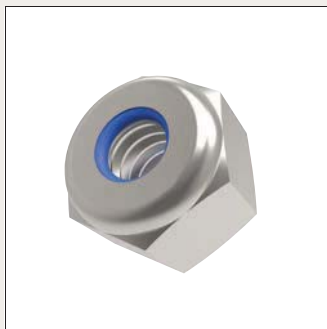
Stainless steel (A2 & A4), and steel, zinc-plated (class>5).

Technical Notes

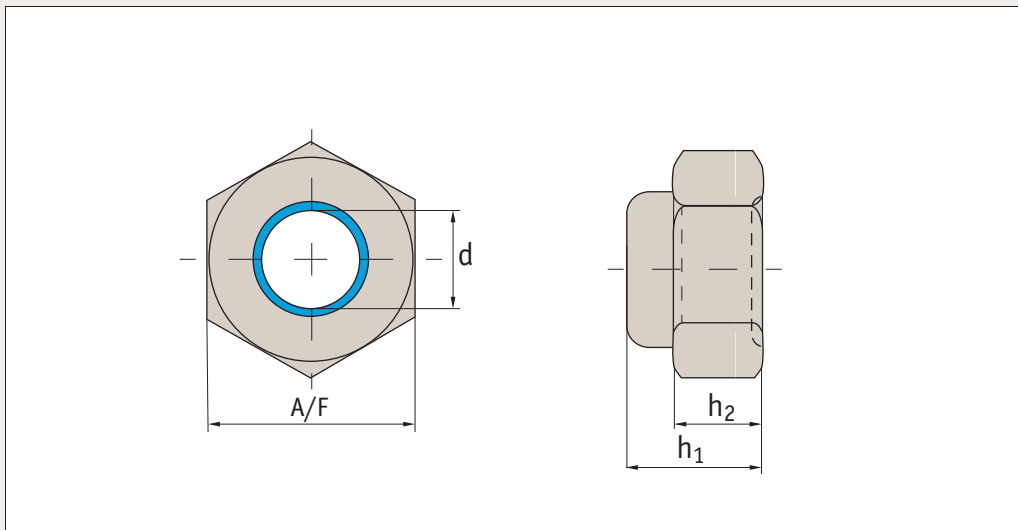
To DIN 985.

Order No.	d	h ₁	h ₂	A/F	Material
P0314.025-A2	M 2,5	3,8	2,0	5	A2 s/s
P0314.030-A2	M 3	4,0	2,4	5,5	A2 s/s
P0314.040-A2	M 4	5,0	3,2	7	A2 s/s
P0314.050-A2	M 5	5,0	4,0	8	A2 s/s
P0314.060-A2	M 6	6,0	5,0	10	A2 s/s
P0314.080-A2	M 8	8,0	6,5	13	A2 s/s
P0314.080-100-A2	M 8x1,0	8,0	6,5	13	A2 s/s
P0314.100-A2	M10	10	8,0	17	A2 s/s
P0314.100-100-A2	M10x1,0	10	8,0	17	A2 s/s
P0314.120-A2	M12	12	10	19	A2 s/s
P0314.120-150-A2	M12x1,5	12	10	19	A2 s/s
P0314.140-A2	M14	14	11	22	A2 s/s
P0314.160-A2	M16	16	13	24	A2 s/s
P0314.160-150-A2	M16x1,5	16	13	24	A2 s/s
P0314.180-A2	M18	18,5	15	27	A2 s/s
P0314.200-A2	M20	20	16	30	A2 s/s
P0314.200-150-A2	M20x1,5	20	16	30	A2 s/s
P0314.220-A2	M22	22	18	32	A2 s/s
P0314.240-A2	M24	24	19	36	A2 s/s
P0314.240-150-A2	M24x1,5	24	19	36	A2 s/s
P0314.270-A2	M27	27	22	41	A2 s/s
P0314.300-A2	M30	30	24	46	A2 s/s
P0314.330-A2	M33	33	26	50	A2 s/s
P0314.360-A2	M36	36	29	55	A2 s/s
P0314.025-A4	M 2,5	3,8	2,0	5	A4 s/s
P0314.030-A4	M 3	4,0	2,4	5,5	A4 s/s
P0314.040-A4	M 4	5,0	3,2	7	A4 s/s
P0314.050-A4	M 5	5,0	4,0	8	A4 s/s
P0314.060-A4	M 6	6,0	5,0	10	A4 s/s
P0314.080-A4	M 8	8,0	6,5	13	A4 s/s
P0314.080-100-A4	M 8x1,0	8,0	6,5	13	A4 s/s
P0314.100-A4	M10	10	8,0	17	A4 s/s
P0314.100-100-A4	M10x1,0	10	8,0	17	A4 s/s
P0314.120-A4	M12	12	10	19	A4 s/s
P0314.120-150-A4	M12x1,5	12	10	19	A4 s/s
P0314.140-A4	M14	14	11	22	A4 s/s
P0314.160-A4	M16	16	13	24	A4 s/s

Order No.	d	h ₁	h ₂	A/F	Material
P0314.160-150-A4	M16x1,5	16	13	24	A4 s/s
P0314.180-A4	M18	18,5	15	27	A4 s/s
P0314.200-A4	M20	20	16	30	A4 s/s
P0314.200-150-A4	M20x1,5	20	16	30	A4 s/s
P0314.220-A4	M22	22	18	32	A4 s/s
P0314.240-A4	M24	24	19	36	A4 s/s
P0314.240-150-A4	M24x1,5	24	19	36	A4 s/s
P0314.270-A4	M27	27	22	41	A4 s/s
P0314.300-A4	M30	30	24	46	A4 s/s
P0314.330-A4	M33	33	26	50	A4 s/s
P0314.025-ZP	M 2,5	3,8	2,0	5	Steel ZP
P0314.030-ZP	M 3	4,0	2,4	5,5	Steel ZP
P0314.040-ZP	M 4	5,0	3,2	7	Steel ZP
P0314.050-ZP	M 5	5,0	4,0	8	Steel ZP
P0314.060-ZP	M 6	6,0	5,0	10	Steel ZP
P0314.080-ZP	M 8	8,0	6,5	13	Steel ZP
P0314.080-100-ZP	M 8x1,0	8,0	6,5	13	Steel ZP
P0314.100-ZP	M10	10	8,0	17	Steel ZP
P0314.100-100-ZP	M10x1,0	10	8,0	17	Steel ZP
P0314.100-125-ZP	M10x1,25	10	8,0	17	Steel ZP
P0314.120-ZP	M12	12	10	19	Steel ZP
P0314.120-125-ZP	M12x1,25	12	10	19	Steel ZP
P0314.120-150-ZP	M12x1,5	12	10	19	Steel ZP
P0314.140-ZP	M14	14	11	22	Steel ZP
P0314.140-150-ZP	M14x1,5	14	11	22	Steel ZP
P0314.160-ZP	M16	16	13	24	Steel ZP
P0314.160-150-ZP	M16x1,5	16	13	24	Steel ZP
P0314.180-ZP	M18	18,5	15	27	Steel ZP
P0314.180-150-ZP	M18x1,5	18,5	15	27	Steel ZP
P0314.200-ZP	M20	20	16	30	Steel ZP
P0314.200-150-ZP	M20x1,5	20	16	30	Steel ZP
P0314.200-200-ZP	M20x2,0	20	16	30	Steel ZP
P0314.220-ZP	M22	22	18	32	Steel ZP
P0314.220-150-ZP	M22x1,5	22	18	32	Steel ZP
P0314.240-ZP	M24	24	19	36	Steel ZP
P0314.240-150-ZP	M24x1,5	24	19	36	Steel ZP



P0315



Material

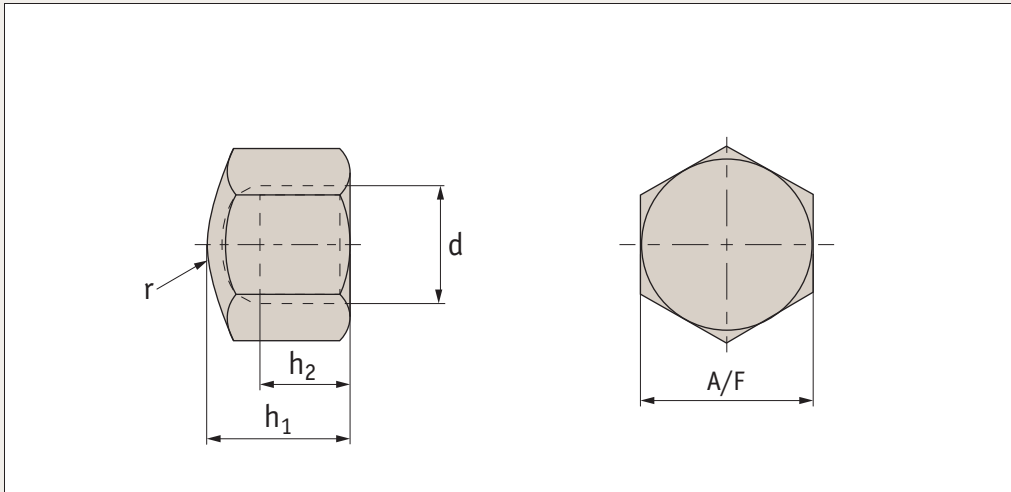
Stainless steel (A2 & A4), and steel, zinc-plated (class 8).

Technical Notes

To DIN 982.

Order No.	d	h ₁	h ₂	A/F	Material
P0315.040-A2	M 4	6,0	3,6	7	A2 s/s
P0315.050-A2	M 5	6,3	4,4	8	A2 s/s
P0315.060-A2	M 6	8,0	4,9	10	A2 s/s
P0315.080-A2	M 8	9,5	6,4	13	A2 s/s
P0315.100-A2	M10	11,5	8,0	17	A2 s/s
P0315.120-A2	M12	19	14	19	A2 s/s
P0315.140-A2	M14	16	12	22	A2 s/s
P0315.160-A2	M16	18	14	24	A2 s/s
P0315.200-A2	M20	22	17	30	A2 s/s
P0315.240-A2	M24	28	20	36	A2 s/s
P0315.040-A4	M 4	6,0	3,6	7	A4 s/s
P0315.050-A4	M 5	6,3	4,4	8	A4 s/s
P0315.060-A4	M 6	8,0	4,9	10	A4 s/s
P0315.080-A4	M 8	9,5	6,4	13	A4 s/s
P0315.100-A4	M10	11,5	8,0	17	A4 s/s

Order No.	d	h ₁	h ₂	A/F	Material
P0315.120-A4	M12	19	14	19	A4 s/s
P0315.140-A4	M14	16	12	22	A4 s/s
P0315.160-A4	M16	18	14	24	A4 s/s
P0315.200-A4	M20	22	17	30	A4 s/s
P0315.240-A4	M24	28	20	36	A4 s/s
P0315.050-ZP	M 5	6,3	4,4	8	Steel ZP
P0315.060-ZP	M 6	8,0	4,9	10	Steel ZP
P0315.080-ZP	M 8	9,5	6,4	13	Steel ZP
P0315.100-ZP	M10	11,5	8,0	17	Steel ZP
P0315.120-ZP	M12	19	14	19	Steel ZP
P0315.140-ZP	M14	16	12	22	Steel ZP
P0315.160-ZP	M16	18	14	24	Steel ZP
P0315.200-ZP	M20	22	17	30	Steel ZP
P0315.240-ZP	M24	28	20	36	Steel ZP



P0317

Material

Stainless steel (A2 & A4), steel, zinc-plated (class 6) and brass.

Technical Notes

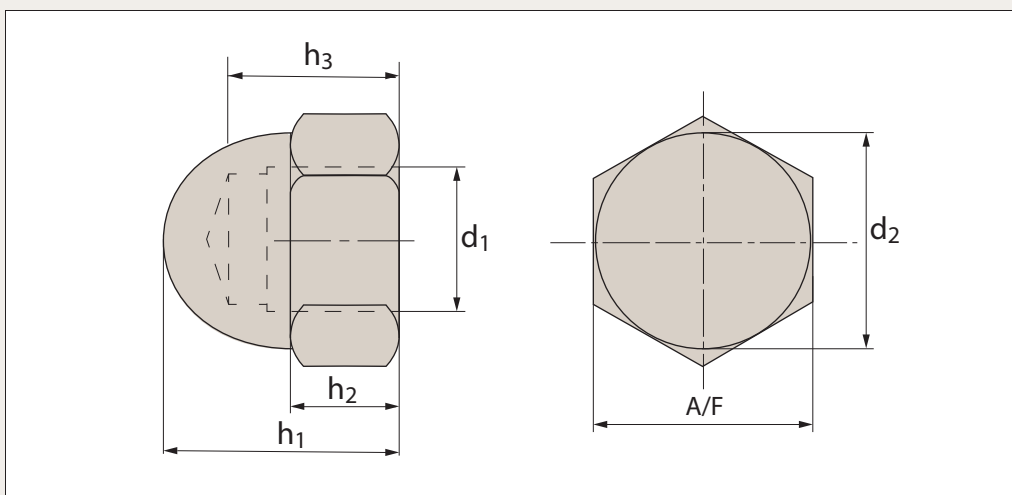
To DIN 917.

Order No.	d	h ₁	h _{2 min.}	A/F	r	Material
P0317.030-A2	M 3	5	3	5,5	-	A2 s/s
P0317.040-A2	M 4	5,5	4,4	7	8	A2 s/s
P0317.050-A2	M 5	7	5,2	8	10	A2 s/s
P0317.060-A2	M 6	9	7	10	12	A2 s/s
P0317.080-A2	M 8	12	9,5	13	15	A2 s/s
P0317.100-A2	M10	14	11	17	20	A2 s/s
P0317.120-A2	M12	16	13,5	19	25	A2 s/s
P0317.140-A2	M14	18	15	22	28	A2 s/s
P0317.160-A2	M16	20	17	24	30	A2 s/s
P0317.180-A2	M18	22	19	27	32	A2 s/s
P0317.200-A2	M20	25	21	30	35	A2 s/s
P0317.220-A2	M22	28	22	32	35	A2 s/s
P0317.240-A2	M24	30	24	36	40	A2 s/s
P0317.270-A2	M27	32	26	41	50	A2 s/s
P0317.300-A2	M30	34	28	46	60	A2 s/s
P0317.030-A4	M 3	5	3	5,5	-	A4 s/s
P0317.040-A4	M 4	5,5	4,4	7	8	A4 s/s
P0317.050-A4	M 5	7	5,2	8	10	A4 s/s
P0317.060-A4	M 6	9	7	10	12	A4 s/s
P0317.080-A4	M 8	12	9,5	13	15	A4 s/s
P0317.100-A4	M10	14	11	17	20	A4 s/s
P0317.120-A4	M12	16	13,5	19	25	A4 s/s
P0317.140-A4	M14	18	15	22	28	A4 s/s
P0317.160-A4	M16	20	17	24	30	A4 s/s
P0317.180-A4	M18	22	19	27	32	A4 s/s
P0317.200-A4	M20	25	21	30	35	A4 s/s
P0317.220-A4	M22	28	22	32	35	A4 s/s
P0317.240-A4	M24	30	24	36	40	A4 s/s
P0317.270-A4	M27	32	26	41	50	A4 s/s
P0317.300-A4	M30	34	28	46	60	A4 s/s
P0317.030-ZP	M 3	5	3	5,5	-	Steel ZP
P0317.040-ZP	M 4	5,5	4,4	7	8	Steel ZP
P0317.050-ZP	M 5	7	5,2	8	10	Steel ZP

Order No.	d	h ₁	h _{2 min.}	A/F	r	Material
P0317.060-ZP	M 6	9	7	10	12	Steel ZP
P0317.080-ZP	M 8	12	9,5	13	15	Steel ZP
P0317.100-ZP	M10	14	11	17	20	Steel ZP
P0317.120-ZP	M12	16	13,5	19	25	Steel ZP
P0317.140-ZP	M14	18	15	22	28	Steel ZP
P0317.160-ZP	M16	20	17	24	30	Steel ZP
P0317.180-ZP	M18	22	19	27	32	Steel ZP
P0317.200-ZP	M20	25	21	30	35	Steel ZP
P0317.220-ZP	M22	28	22	32	35	Steel ZP
P0317.240-ZP	M24	30	24	36	40	Steel ZP
P0317.270-ZP	M27	32	26	41	50	Steel ZP
P0317.300-ZP	M30	34	28	46	60	Steel ZP
P0317.030-ZP	M 3	5	3	5,5	-	Steel ZP
P0317.040-ZP	M 4	5,5	4,4	7	8	Steel ZP
P0317.050-ZP	M 5	7	5,2	8	10	Steel ZP
P0317.060-ZP	M 6	9	7	10	12	Steel ZP
P0317.080-ZP	M 8	12	9,5	13	15	Steel ZP
P0317.100-ZP	M10	14	11	17	20	Steel ZP
P0317.120-ZP	M12	16	13,5	19	25	Steel ZP
P0317.140-ZP	M14	18	15	22	28	Steel ZP
P0317.160-ZP	M16	20	17	24	30	Steel ZP
P0317.200-ZP	M20	25	21	30	35	Steel ZP
P0317.030-BR	M 3	5	3	5,5	-	Brass
P0317.040-BR	M 4	5,5	4,4	7	8	Brass
P0317.050-BR	M 5	7	5,2	8	10	Brass
P0317.060-BR	M 6	9	7	10	12	Brass
P0317.080-BR	M 8	12	9,5	13	15	Brass
P0317.100-BR	M10	14	11	17	20	Brass
P0317.120-BR	M12	16	13,5	19	25	Brass
P0317.140-BR	M14	18	15	22	28	Brass
P0317.160-BR	M16	20	17	24	30	Brass
P0317.200-BR	M20	25	21	30	35	Brass



P0318



Material

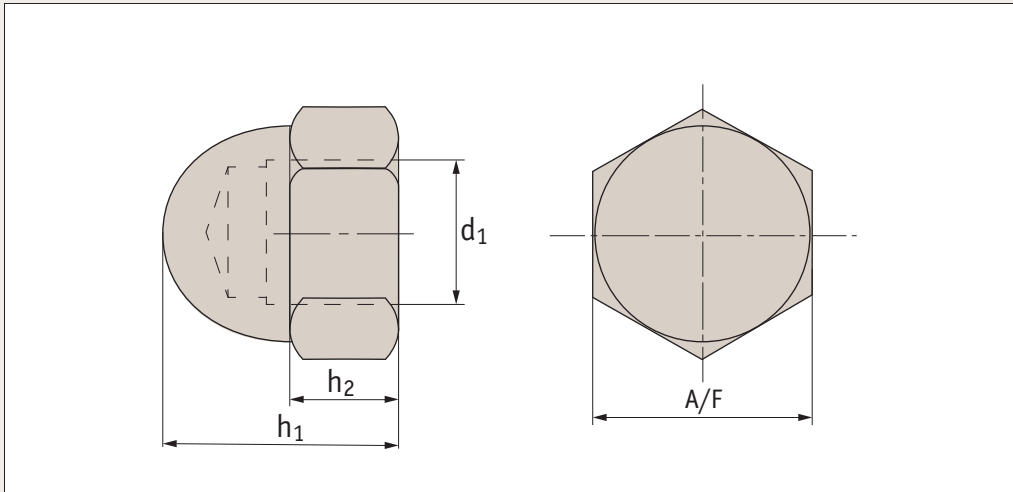
Stainless steel (A2 & A4), steel (zinc-plated & self-colour class 8), brass and nylon.

Technical Notes

To DIN 1587.

Order No.	d ₁	h _{1 max.}	h _{2 max.}	h ₃	d ₂	A/F	Material
P0318.030-A2	M 3	7	2,4	4,5	5,5	5,5	A2 s/s
P0318.040-A2	M 4	8	3,2	5,5	6,5	7,0	A2 s/s
P0318.050-A2	M 5	10	4,0	7,5	7,5	8,0	A2 s/s
P0318.060-A2	M 6	12	5,0	8,0	9,5	10	A2 s/s
P0318.080-A2	M 8	15	6,5	11,0	12,5	10	A2 s/s
P0318.100-A2	M10	18	8,0	13,0	16,0	17	A2 s/s
P0318.120-A2	M12	22	10	16,0	18,0	19	A2 s/s
P0318.140-A2	M14	25	11	18,0	21,0	22	A2 s/s
P0318.160-A2	M16	28	13	21,0	23,0	24	A2 s/s
P0318.180-A2	M18	32	15	25,0	26,0	27	A2 s/s
P0318.200-A2	M20	34	16	26,0	28,0	30	A2 s/s
P0318.220-A2	M22	39	18	29,0	33,0	34	A2 s/s
P0318.240-A2	M24	42	19	31,0	34,0	36	A2 s/s
P0318.270-A2	M27	47	22	35,0	40,0	41	A2 s/s
P0318.300-A2	M30	52	24	38,0	42,0	46	A2 s/s
P0318.030-A4	M 3	6	2,4	4,5	5,5	5,5	A4 s/s
P0318.040-A4	M 4	8	3,2	5,5	6,5	7,0	A4 s/s
P0318.050-A4	M 5	10	4,0	7,5	7,5	8,0	A4 s/s
P0318.060-A4	M 6	12	5,0	8,0	9,5	10,0	A4 s/s
P0318.080-A4	M 8	15	6,5	11,0	12,5	13,0	A4 s/s
P0318.100-A4	M10	18	8,0	13,0	16,0	17,0	A4 s/s
P0318.120-A4	M12	22	10	16,0	18,0	19,0	A4 s/s
P0318.140-A4	M14	25	11	18,0	21,0	22,0	A4 s/s
P0318.160-A4	M16	28	13	21,0	23,0	24,0	A4 s/s
P0318.180-A4	M18	32	15	25,0	26,0	27,0	A4 s/s
P0318.200-A4	M20	34	16	26,0	28,0	30,0	A4 s/s
P0318.220-A4	M22	39	18	29,0	33,0	34,0	A4 s/s
P0318.240-A4	M24	42	19	31,0	36,0	36,0	A4 s/s
P0318.270-A4	M27	47	22	35,0	40,0	41,0	A4 s/s
P0318.300-A4	M30	52	24	38,0	42,0	46,0	A4 s/s
P0318.040-ZP	M 4	8	3,2	5,5	7,0	8,0	Steel ZP
P0318.050-ZP	M 5	10	4,0	7,5	8,0	10,0	Steel ZP
P0318.060-ZP	M 6	12	5,0	8,0	10,0	12,0	Steel ZP

Order No.	d ₁	h _{1 max.}	h _{2 max.}	h ₃	d ₂	A/F	Material
P0318.080-ZP	M 8	15	6,5	11,0	13,0	15,0	Steel ZP
P0318.100-ZP	M10	18	8,0	13,0	17,0	20,0	Steel ZP
P0318.120-ZP	M12	22	10	16,0	19,0	25,0	Steel ZP
P0318.160-ZP	M16	28	13	21,0	24,0	30,0	Steel ZP
P0318.200-ZP	M20	34	16	26,0	30,0	35,0	Steel ZP
P0318.240-ZP	M24	42	19	31,0	36,0	40,0	Steel ZP
P0318.270-ZP	M27	47	22	35,0	41,0	50,0	Steel ZP
P0318.060-SC	M 6	12	5,0	8,0	9,5	10,0	Steel SC
P0318.080-SC	M 8	15	6,5	11,0	12,5	13,0	Steel SC
P0318.100-SC	M10	18	8,0	13,0	16,0	17,0	Steel SC
P0318.120-SC	M12	22	10	16,0	18,0	19,0	Steel SC
P0318.160-SC	M16	28	13	21,0	23,0	24,0	Steel SC
P0318.200-SC	M20	34	16	26,0	30,0	30,0	Steel SC
P0318.240-SC	M24	42	19	31,0	34,0	36,0	Steel SC
P0318.270-SC	M27	47	22	35,0	40,0	41,0	Steel SC
P0318.300-SC	M30	52	24	38,0	42,0	46,0	Steel SC
P0318.030-BR	M 3	6	2,4	4,5	5,5	5,5	Brass
P0318.040-BR	M 4	8	3,2	5,5	6,5	7,0	Brass
P0318.050-BR	M 5	10	4,0	7,5	7,5	8,0	Brass
P0318.060-BR	M 6	12	5,0	8,0	9,5	10,0	Brass
P0318.080-BR	M 8	15	6,5	11,0	12,5	13,0	Brass
P0318.100-BR	M10	18	8,0	13,0	16,0	17,0	Brass
P0318.120-BR	M12	22	10	16,0	18,0	19,0	Brass
P0318.160-BR	M16	28	13	21,0	23,0	24,0	Brass
P0318.200-BR	M20	34	16	26,0	28,0	30,0	Brass
P0318.030-NL	M 3	6	2,4	4,5	5,5	5,5	Nylon
P0318.040-NL	M 4	8	3,2	4,5	6,5	7,0	Nylon
P0318.050-NL	M 5	10	4,0	7,5	7,5	8,0	Nylon
P0318.060-NL	M 6	12	5,0	8,0	9,5	10,0	Nylon
P0318.080-NL	M 8	15	6,5	11,0	12,5	13,0	Nylon
P0318.100-NL	M10	18	8,0	13,0	16,0	17,0	Nylon



P0319

Material

Stainless steel (A2, AISI 303), and steel zinc-plated (class >6).

Technical Notes

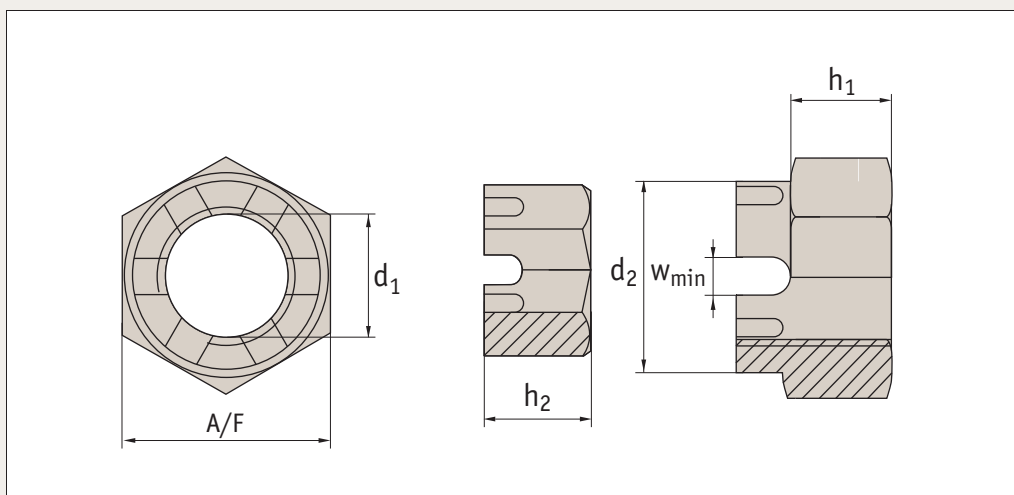
To DIN 986.

Order No.	d ₁	h _{1 max.}	h _{2 max.}	A/F	Material
P0319.040-A2	M 4	9,6	2,90	7	A2 s/s
P0319.050-A2	M 5	10,5	4,40	8	A2 s/s
P0319.060-A2	M 6	12,0	4,90	10	A2 s/s
P0319.080-A2	M 8	14,0	6,44	13	A2 s/s
P0319.100-A2	M10	18,1	8,04	17	A2 s/s
P0319.120-A2	M12	22,5	10,37	19	A2 s/s
P0319.160-A2	M16	27,5	14,10	24	A2 s/s
P0319.040-ZP	M 4	9,6	2,90	7	Steel ZP

Order No.	d ₁	h _{1 max.}	h _{2 max.}	A/F	Material
P0319.050-ZP	M 5	10,5	4,40	8	Steel ZP
P0319.060-ZP	M 6	12,0	4,90	10	Steel ZP
P0319.080-ZP	M 8	14,0	6,44	13	Steel ZP
P0319.100-ZP	M10	18,1	8,04	17	Steel ZP
P0319.120-ZP	M12	22,5	10,37	19	Steel ZP
P0319.160-ZP	M16	27,5	14,10	24	Steel ZP
P0319.160-ZP	M16	35	16,90	30	Steel ZP



P0320



Material

Stainless steel (A2), and steel, zinc-plated (class 4).

Technical Notes

To DIN 935.

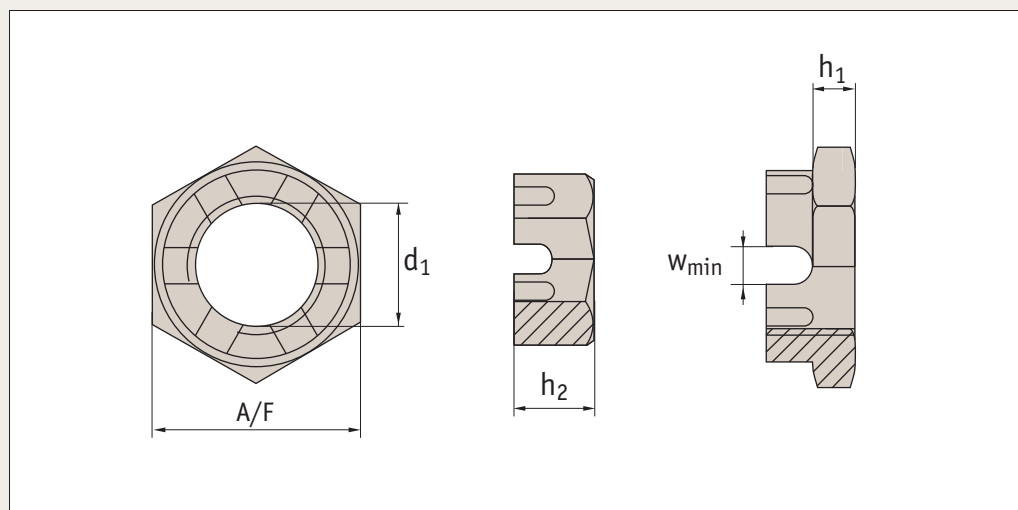
Order No.	d ₁	h ₁	h ₂	d ₂	w _{min.}	A/F	Material
P0320.050-A2	M 5	4,0	6,0	-	1,4	8	A2 s/s
P0320.060-A2	M 6	5,0	7,5	-	2,0	10	A2 s/s
P0320.080-A2	M 8	6,5	9,5	-	2,5	13	A2 s/s
P0320.100-A2	M10	8,0	12,0	-	2,8	17	A2 s/s
P0320.120-A2	M12	10,0	15,0	17	3,5	19	A2 s/s
P0320.140-A2	M14	11,0	16,0	19	3,5	22	A2 s/s
P0320.160-A2	M16	13,0	19,0	22	4,5	24	A2 s/s
P0320.180-A2	M18	15,0	21,0	25	4,5	27	A2 s/s
P0320.200-A2	M20	16,0	22,0	28	4,5	30	A2 s/s
P0320.240-A2	M24	19,0	27,0	34	5,5	36	A2 s/s
P0320.270-A2	M27	22,0	30,0	38	5,5	41	A2 s/s
P0320.300-A2	M30	24,0	33,0	42	7,0	46	A2 s/s
P0320.360-A2	M36	29,0	38,0	50	7,0	55	A2 s/s
P0320.050-A4	M 5	4,0	6,0	-	1,4	8	A4 s/s
P0320.060-A4	M 6	5,0	7,5	-	2,0	10	A4 s/s
P0320.080-A4	M 8	6,5	9,5	-	2,5	13	A4 s/s
P0320.100-A4	M10	8,0	12,0	-	2,8	17	A4 s/s
P0320.120-A4	M12	10,0	15,0	17	3,5	19	A4 s/s
P0320.140-A4	M14	11,0	16,0	19	3,5	22	A4 s/s
P0320.160-A4	M16	13,0	19,0	22	4,5	24	A4 s/s

Order No.	d ₁	h ₁	h ₂	d ₂	w _{min.}	A/F	Material
P0320.180-A4	M18	15,0	21,0	25	4,5	27	A4 s/s
P0320.200-A4	M20	16,0	22,0	28	4,5	30	A4 s/s
P0320.240-A4	M24	19,0	27,0	34	5,5	36	A4 s/s
P0320.270-A4	M27	22,0	30,0	38	5,5	41	A4 s/s
P0320.300-A4	M30	24,0	33,0	42	7,0	46	A4 s/s
P0320.360-A4	M36	29,0	38,0	50	7,0	55	A4 s/s
P0320.050-ZP	M 5	4,0	6,0	-	1,4	8	Steel ZP
P0320.060-ZP	M 6	5,0	7,5	-	2,0	10	Steel ZP
P0320.080-ZP	M 8	6,5	9,5	-	2,5	13	Steel ZP
P0320.100-ZP	M10	8,0	12,0	-	2,8	17	Steel ZP
P0320.120-ZP	M12	10,0	15,0	17	3,5	19	Steel ZP
P0320.140-ZP	M14	11,0	16,0	19	3,5	22	Steel ZP
P0320.160-ZP	M16	13,0	19,0	22	4,5	24	Steel ZP
P0320.180-ZP	M18	15,0	21,0	25	4,5	27	Steel ZP
P0320.200-ZP	M20	16,0	22,0	28	4,5	30	Steel ZP
P0320.240-ZP	M24	19,0	27,0	34	5,5	36	Steel ZP
P0320.270-ZP	M27	22,0	30,0	38	5,5	41	Steel ZP
P0320.300-ZP	M30	24,0	33,0	42	7,0	46	Steel ZP
P0320.360-ZP	M36	29,0	38,0	50	7,0	55	Steel ZP

Hexagon Castle Nuts Thin Type

thin type

Nuts & Washers



P0321

Material

Stainless steel (A2 & A4), and steel zinc-plated.

Technical Notes

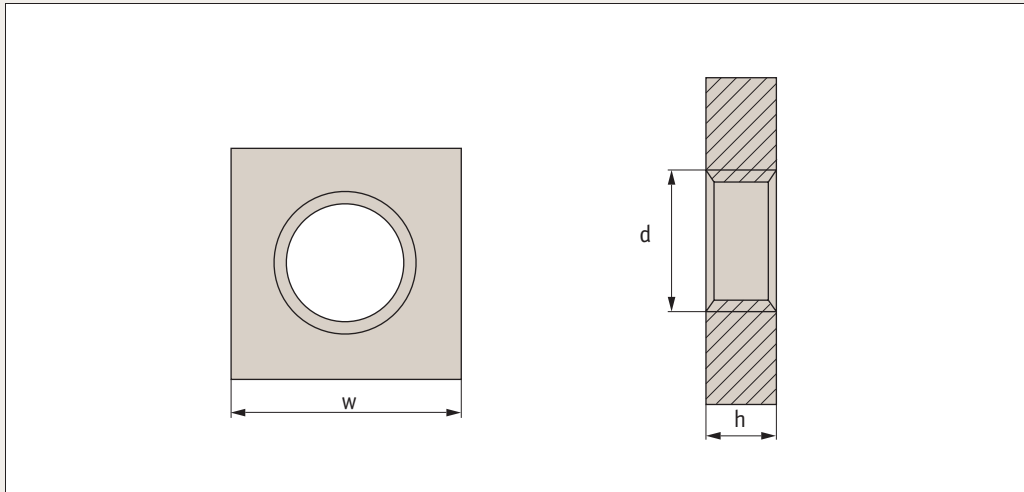
To DIN 937.

Order No.	d ₁	h ₁	h ₂	w _{min.}	A/F	Material
P0321.060-A2	M 6	3,5	5,70	2,0	10	A2 s/s
P0321.080-A2	M 8	4,5	7,64	2,5	13	A2 s/s
P0312.100-A2	M10	5,0	8,64	2,8	17	A2 s/s
P0321.120-A2	M12	6,0	9,64	3,5	19	A2 s/s
P0321.140-A2	M14	7,0	10,57	3,5	22	A2 s/s
P0321.160-A2	M16	7,0	11,57	4,5	24	A2 s/s
P0321.180-A2	M18	8,0	12,30	4,5	27	A2 s/s
P0321.200-A2	M20	8,0	12,30	4,5	30	A2 s/s
P0321.240-A2	M24	9,0	14,30	5,5	36	A2 s/s
P0321.270-A2	M27	11,0	16,30	5,5	41	A2 s/s
P0321.300-A2	M30	11,0	17,30	7,0	46	A2 s/s
P0321.060-A4	M 6	3,5	5,70	2,0	10	A4 s/s
P0321.080-A4	M 8	4,5	7,64	2,5	13	A4 s/s
P0312.100-A4	M10	5,0	8,64	2,8	17	A4 s/s
P0321.120-A4	M12	6,0	9,64	3,5	19	A4 s/s
P0321.140-A4	M14	7,0	10,57	3,5	22	A4 s/s
P0321.160-A4	M16	7,0	11,57	4,5	24	A4 s/s

Order No.	d ₁	h ₁	h ₂	w _{min.}	A/F	Material
P0321.180-A4	M18	8,0	12,30	4,5	27	A4 s/s
P0321.200-A4	M20	8,0	12,30	4,5	30	A4 s/s
P0321.240-A4	M24	9,0	14,30	5,5	36	A4 s/s
P0321.270-A4	M27	11,0	16,30	5,5	41	A4 s/s
P0321.300-A4	M30	11,0	17,30	7,0	46	A4 s/s
P0321.060-ZP	M 6	3,5	5,70	2,0	10	Steel ZP
P0321.080-ZP	M 8	4,5	7,64	2,5	13	Steel ZP
P0312.100-ZP	M10	5,0	8,64	2,8	17	Steel ZP
P0321.120-ZP	M12	6,0	9,64	3,5	19	Steel ZP
P0321.140-ZP	M14	7,0	10,57	3,5	22	Steel ZP
P0321.160-ZP	M16	7,0	11,57	4,5	24	Steel ZP
P0321.180-ZP	M18	8,0	12,30	4,5	27	Steel ZP
P0321.200-ZP	M20	8,0	12,30	4,5	30	Steel ZP
P0321.240-ZP	M24	9,0	14,30	5,5	36	Steel ZP
P0321.270-ZP	M27	11,0	16,30	5,5	41	Steel ZP
P0321.300-ZP	M30	11,0	17,30	7,0	46	Steel ZP



P0323



Material

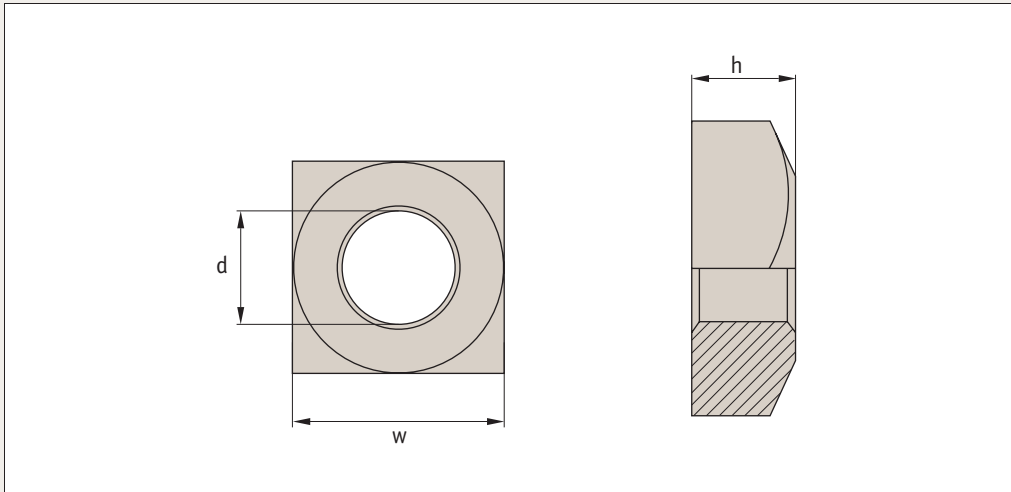
Stainless steel (A2 & A4), and steel, zinc-plated (class 4).

Technical Notes

To DIN 562. Standard metric coarse threads.

Order No.	d	w	h _{min.}	Material
P0323.016-A2	M1,6	3,2	1,0	A2 s/s
P0323.020-A2	M 2	4	1,2	A2 s/s
P0323.025-A2	M2,5	5	1,6	A2 s/s
P0323.030-A2	M 3	5,5	1,8	A2 s/s
P0323.040-A2	M 4	7	2,2	A2 s/s
P0323.050-A2	M 5	8	2,7	A2 s/s
P0323.060-A2	M 6	10	3,2	A2 s/s
P0323.080-A2	M 8	13	4,0	A2 s/s
P0323.100-A2	M10	16	5,0	A2 s/s
P0323.016-A4	M1,6	3,2	1,0	A4 s/s
P0323.020-A4	M 2	4	1,2	A4 s/s
P0323.025-A4	M2,5	5	1,6	A4 s/s
P0323.030-A4	M 3	5,5	1,8	A4 s/s

Order No.	d	w	h _{min.}	Material
P0323.040-A4	M 4	7	2,2	A4 s/s
P0323.050-A4	M 5	8	2,7	A4 s/s
P0323.060-A4	M 6	10	3,2	A4 s/s
P0323.080-A4	M 8	13	4,0	A4 s/s
P0323.100-A4	M10	16	5,0	A4 s/s
P0323.030-ZP	M 3	5,5	1,8	Steel ZP
P0323.040-ZP	M 4	7	2,2	Steel ZP
P0323.050-ZP	M 5	8	2,7	Steel ZP
P0323.060-ZP	M 6	10	3,2	Steel ZP
P0323.080-ZP	M 8	13	4,0	Steel ZP
P0323.100-ZP	M10	16	5,0	Steel ZP



P0324

Material

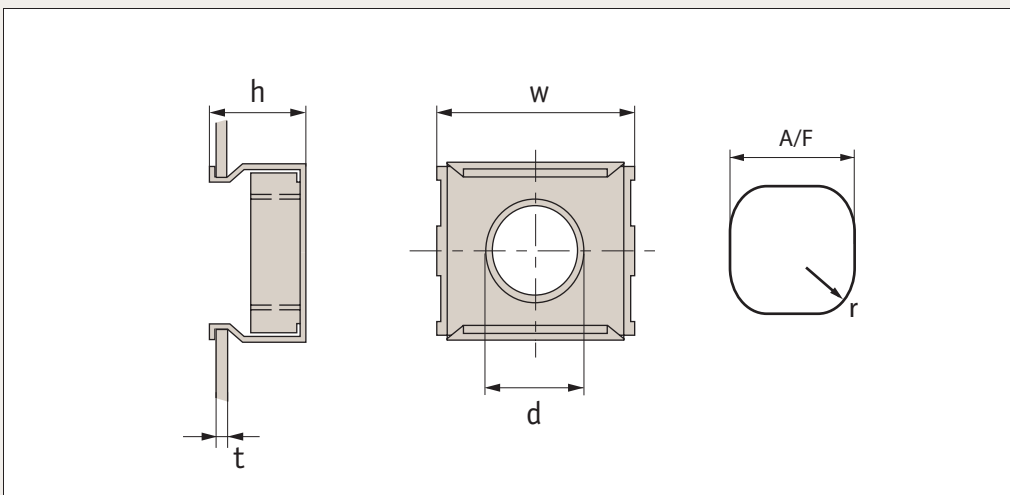
Stainless steel (A2 & A4), and steel zinc-plated & self-colour (class >5).

Technical Notes

To DIN 557. Standard metric coarse threads.

Order No.	d	h	w	Material
P0324.050-A2	M 5	4,0	8	A2 s/s
P0324.060-A2	M 6	5,0	10	A2 s/s
P0324.080-A2	M 8	6,0	13	A2 s/s
P0324.100-A2	M10	8,0	17	A2 s/s
P0324.120-A2	M12	10	19	A2 s/s
P0324.160-A2	M16	13	24	A2 s/s
P0324.050-A4	M 5	4,0	8	A4 s/s
P0324.060-A4	M 6	5,0	10	A4 s/s
P0324.080-A4	M 8	6,0	13	A4 s/s
P0324.100-A4	M10	8,0	17	A4 s/s
P0324.120-A4	M12	10	19	A4 s/s
P0324.160-A4	M16	13	24	A4 s/s

Order No.	d	h	w	Material
P0324.040-ZP	M 4	3,2	7	Steel ZP
P0324.050-ZP	M 5	4,0	8	Steel ZP
P0324.060-ZP	M 6	5,0	10	Steel ZP
P0324.080-ZP	M 8	6,0	13	Steel ZP
P0324.100-ZP	M10	8,0	17	Steel ZP
P0324.120-ZP	M12	10	19	Steel ZP
P0324.040-SC	M 4	3,2	7	Steel SC
P0324.050-SC	M 5	4,0	8	Steel SC
P0324.060-SC	M 6	5,0	10	Steel SC
P0324.080-SC	M 8	6,0	13	Steel SC
P0324.100-SC	M10	8,0	17	Steel SC
P0324.120-SC	M12	10	19	Steel SC



P0325

Material

Steel, zinc-plated or stainless steel (A2, AISI 303).

Technical Notes

A/F is hole size across flats. $r = 0,5$.

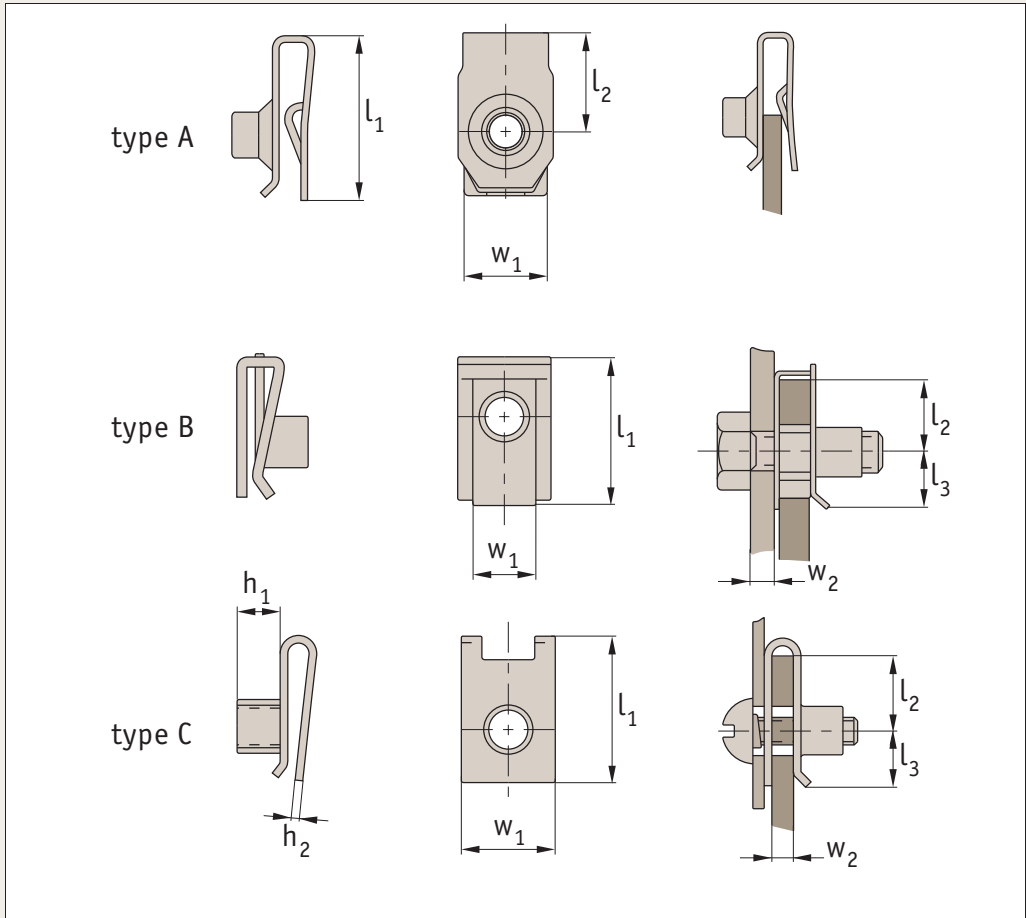
Select the part number according to the thread required and the thickness of the preferred material.

Order No.	d	For Panel t	A/F	w $\pm 0,5$	h $\pm 0,3$
P0325.040-016-A2	M 4	0,7-1,6	9,5	13,2	8,5
P0325.040-026-A2	M 4	1,7-2,6	9,5	13,2	9,5
P0325.040-035-A2	M 4	2,7-3,5	9,5	13,2	10,5
P0325.050-016-A2	M 5	0,7-1,6	9,5	13,2	8,5
P0325.050-026-A2	M 5	1,7-2,6	9,5	13,2	9,5
P0325.050-035-A2	M 5	2,7-3,5	9,5	13,2	10,5
P0325.060-016-A2	M 6	0,7-1,6	9,5	13,2	8,5
P0325.060-026-A2	M 6	1,7-2,6	9,5	13,2	9,5
P0325.060-035-A2	M 6	2,7-3,5	9,5	13,2	10,5
P0325.080-017-A2	M 8	0,7-1,7	12,8	16,5	10,5
P0325.080-031-A2	M 8	1,8-3,1	12,8	16,5	12,0
P0325.080-043-A2	M 8	3,2-4,3	12,8	16,5	13,5
P0325.100-017-A2	M10	0,7-1,7	12,8	16,5	10,5
P0325.100-031-A2	M10	1,8-3,1	12,8	16,5	12,0
P0325.100-043-A2	M10	3,2-4,3	12,8	16,5	13,5
P0325.030-016-ZP	M 3	0,7-1,6	6,8	10,5	7,2

Order No.	d	For Panel t	A/F	w $\pm 0,5$	h $\pm 0,3$
P0325.040-016-ZP	M 4	0,7-1,6	9,5	13,2	8,6
P0325.040-026-ZP	M 4	1,7-2,6	9,5	13,2	9,5
P0325.040-032-ZP	M 4	2,0-3,2	9,5	13,2	10,2
P0325.050-016-ZP	M 5	0,7-1,6	9,5	13,2	8,6
P0325.050-026-ZP	M 5	1,7-2,6	9,5	13,2	9,5
P0325.050-032-ZP	M 5	2,0-3,2	9,5	13,2	10,2
P0325.060-016-ZP	M 6	0,7-1,6	9,5	13,2	8,6
P0325.060-026-ZP	M 6	1,7-2,6	9,5	13,2	9,5
P0325.060-032-ZP	M 6	2,0-3,2	9,5	13,2	10,2
P0325.080-016-ZP	M 8	0,7-1,6	12,8	17,8	10,6
P0325.080-026-ZP	M 8	1,7-2,6	12,8	17,8	11,5
P0325.080-043-ZP	M 8	2,7-4,3	12,8	17,8	13,0
P0325.100-016-ZP	M10	0,7-1,6	12,8	17,8	10,6
P0325.100-026-ZP	M10	1,7-2,6	12,8	17,8	11,5
P0325.100-043-ZP	M10	2,7-4,3	12,8	17,8	13,0



P0326



Material

Steel, zinc-plated.

Technical Notes

Lug nuts are used where U nuts are not strong enough. They provide a degree of adjustment to assist screw

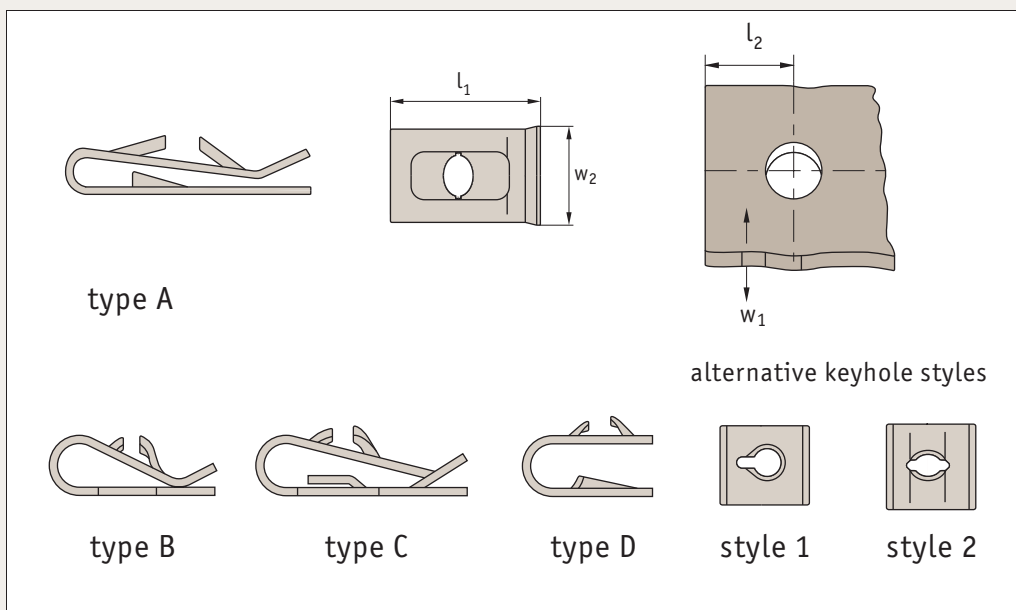
alignment.

Select the part number according to the thread required, the thickness of the preferred material and the type of nut required.

Order No.	For thread	w ₁	l ₁	l ₂	w ₂	l ₃	h ₁	h ₂	Type
P0326.040-040-A1	M 4	0,8-4,0	24,0	12,5	14,2	-	-	-	A
P0326.050-040-A1	M 5	0,8-4,0	26,0	12,0	17,2	-	-	-	A
P0326.100-055-A1	M10	1,5-5,5	32,7	18,0	17,2	-	-	-	A
P0326.040-040-B1	M 4	0,5-4,0	15,0	7,3	10,0	7,0	5,0	0,6	B
P0326.050-040-B1	M 5	0,5-4,0	15,0	7,3	12,0	7,0	5,5	0,6	B
P0326.050-040-B2	M 5	0,5-4,0	20,0	11,0	14,0	8,8	5,5	0,7	B
P0326.060-040-B1	M 6	0,5-4,0	18,8	8,4	16,0	8,4	7,5	0,8	B
P0326.060-040-B2	M 6	0,5-4,0	22,2	12,0	15,0	9,8	7,0	0,8	B
P0326.080-040-B2	M 8	0,5-4,0	24,3	13,0	17,0	10,8	9,0	1,0	B
P0326.040-015-C1	M 4	0,5-1,5	15,5	7,5	12,0	6,5	4,5	0,8	C
P0326.040-020-C1	M 4	0,5-2,0	15,5	7,5	12,0	6,5	4,5	0,8	C
P0326.050-015-C1	M 5	0,5-1,5	15,5	7,5	12,0	6,5	5,0	0,8	C
P0326.050-020-C1	M 5	0,5-2,0	15,5	7,5	12,0	6,5	5,0	0,8	C
P0326.060-015-C1	M 6	0,5-1,5	15,5	7,5	12,0	6,5	5,5	0,8	C
P0326.060-020-C1	M 6	0,5-2,0	15,5	7,5	12,0	6,5	5,5	0,8	C



P0327



Material

Steel, zinc-plated.

Technical Notes

Select the part number according to the thread required, the thickness of the preferred material and the type of nut

required.

U nuts provide a degree of movement to help screw alignment when fitted over the edge of a panel.

l_2 length from panel edge.

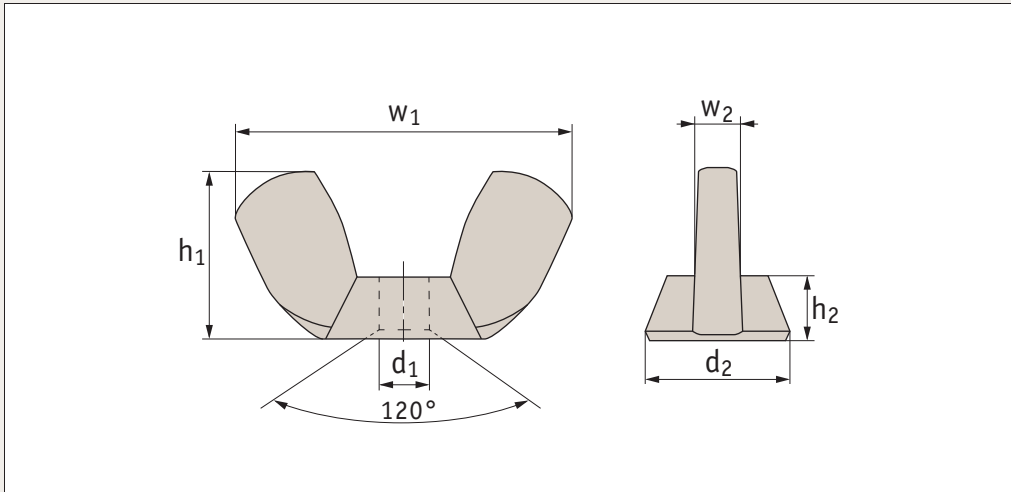
Order No.	d_1	w_1	l_1	l_2	w_2	Type
P0327.040-016-A	M4	0,7-1,6	16,5	6,7	11,2	A
P0327.050-017-A1	M5	0,7-1,7	17,5	8,0	11,9	A-1
P0327.060-026-A1	M6	0,9-2,6	21,1	10,3	14,0	A-1
P0327.029-008-A	2,9 (#4)	0,6-0,8	11,2	4,8	7,9	A
P0327.029-012-A	2,9 (#4)	0,7-1,2	11,2	4,8	7,9	A
P0327.035-009-A1	3,5 (#6)	0,4-0,9	9,6	3,6	7,9	A-1
P0327.035-011-A1	3,5 (#6)	0,9-1,2	9,6	3,6	7,9	A-1
P0327.035-012-A1	3,5 (#6)	0,9-1,2	11,7	5,5	7,9	A-1
P0327.035-012-C1	3,5 (#6)	0,7-1,2	11,7	5,5	7,9	C-1
P0327.035-016-A	3,5 (#6)	0,7-1,6	16,5	6,7	11,2	A
P0327.035-021-D1	3,5 (#6)	1,9-2,1	9,4	3,0	7,9	D-1
P0327.035-025-D	3,5 (#6)	2,1-2,5	12,4	6,2	7,9	D
P0327.035-028-A	3,5 (#6)	2,5-2,8	16,5	6,7	11,2	A
P0327.035-037-B1	3,5 (#6)	3,4-3,7	10,9	5,0	7,9	B-1
P0327.042-010-D	4,2 (#8)	0,8-1,0	11,7	4,8	10,4	D
P0327.042-011-B	4,2 (#8)	0,7-1,1	16,5	8,7	8,6	B
P0327.042-011-C	4,2 (#8)	0,7-1,1	16,8	7,1	11,2	C
P0327.042-015-A	4,2 (#8)	0,7-1,6	16,5	6,7	11,2	A
P0327.042-016-A	4,2 (#8)	0,7-1,6	24,4	14,36	12,7	A
P0327.042-015-A2	4,2 (#8)	1,2-1,6	14,5	5,5	12,7	A-2
P0327.042-016-A2	4,2 (#8)	0,7-1,6	15,2	7,9	14,2	A-2
P0327.042-028-A	4,2 (#8)	2,0-2,8	16,3	6,7	11,2	A
P0327.042-031-B	4,2 (#8)	2,9-3,1	15,5	8,7	8,6	B
P0327.042-036-B	4,2 (#8)	3,1-3,6	17,3	6,7	11,2	B
P0327.042-042-B	4,2 (#8)	3,5-4,2	22,9	13,5	11,2	B

Order No.	d ₁	w ₁	l ₁	l ₂	w ₂	Type
P0327.042-048-B	4,2 (#8)	4,5-4,8	16,0	6,7	11,2	B
P0327.048-012-A2	4,8 (#10)	0,5-1,2	14,5	5,5	12,7	A-2
P0327.048-021-A	4,8 (#10)	0,9-2,1	19,8	7,9	12,7	A
P0327.048-034-A	4,8 (#10)	3,1-3,4	19,6	7,9	12,7	A
P0327.055-026-A	5,5 (#12)	0,9-2,6	26,2	11,1	15,0	A
P0327.055-026-B	5,5 (#12)	0,9-2,6	29,7	14,3	15,0	B
P0327.063-016-A	6,3 (#14)	1,2-1,6	22,6	10,3	16,0	A
P0327.063-019-A1	6,3 (#14)	0,7-1,9	25,1	12,7	15,0	A-1
P0327.070-019-A	7,0 (#16)	0,9-1,6	26,9	13,5	16,0	A

Wing Nuts

female thread

Nuts & Washers



P0328

Material

Stainless steel (A2 & A4), steel (zinc-plated) and brass.

Technical Notes

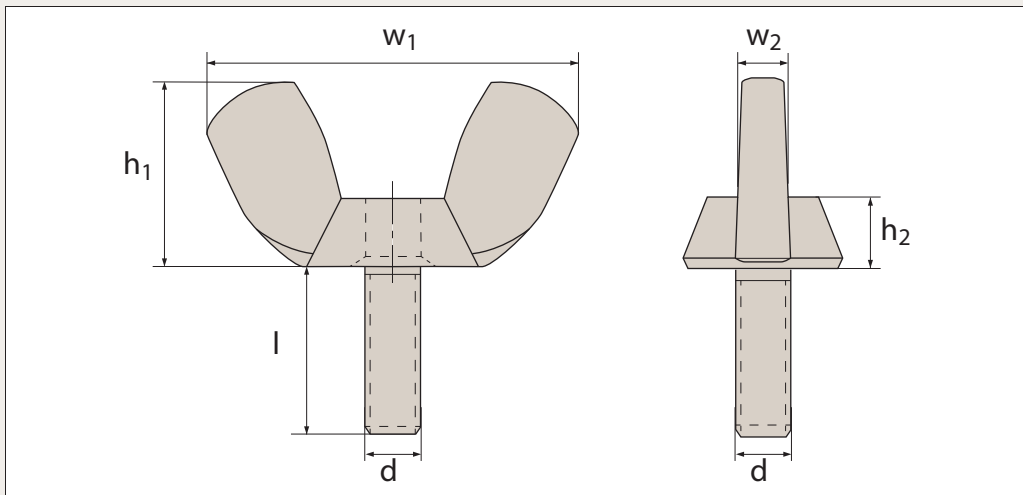
To DIN 315 AF.

Order No.	d_1	w_1	h_1	$h_{2 \max}$	Material
P0328.030-A2	M 3	18,5	8,8	3,0	A2 s/s
P0328.040-A2	M 4	18,5	8,8	3,0	A2 s/s
P0328.050-A2	M 5	22,0	10,5	4,0	A2 s/s
P0328.060-A2	M 6	26,8	12,9	4,9	A2 s/s
P0328.080-A2	M 8	30,3	14,8	5,4	A2 s/s
P0328.100-A2	M10	35,3	17,3	6,3	A2 s/s
P0328.120-A2	M12	47,5	22,5	7,9	A2 s/s
P0328.160-A2	M16	65	30,8	10,6	A2 s/s
P0328.200-A2	M20	67	31,2	12,2	A2 s/s
P0328.030-A4	M 3	18,5	8,8	3,0	A4 s/s
P0328.040-A4	M 4	18,5	8,8	3,0	A4 s/s
P0328.050-A4	M 5	22,0	10,5	4,0	A4 s/s
P0328.060-A4	M 6	26,8	12,9	4,9	A4 s/s
P0328.080-A4	M 8	30,3	14,8	5,4	A4 s/s
P0328.100-A4	M10	35,3	17,3	6,3	A4 s/s
P0328.120-A4	M12	47,5	22,5	7,9	A4 s/s
P0328.160-A4	M16	65	30,8	10,6	A4 s/s
P0328.200-A4	M20	67	31,2	12,2	A4 s/s

Order No.	d_1	w_1	h_1	$h_{2 \max}$	Material
P0328.030-ZP	M 3	18,5	8,8	3,0	Steel ZP
P0328.040-ZP	M 4	18,5	8,8	3,0	Steel ZP
P0328.050-ZP	M 5	22,0	10,5	4,0	Steel ZP
P0328.060-ZP	M 6	26,8	12,9	4,9	Steel ZP
P0328.080-ZP	M 8	30,3	14,8	5,4	Steel ZP
P0328.100-ZP	M10	35,3	17,3	6,3	Steel ZP
P0328.120-ZP	M12	47,5	22,5	7,9	Steel ZP
P0328.160-ZP	M16	65	30,8	10,6	Steel ZP
P0328.200-ZP	M20	67	31,2	12,2	Steel ZP
P0328.030-BR	M 3	18,5	8,8	3,0	Brass
P0328.040-BR	M 4	18,5	8,8	3,0	Brass
P0328.050-BR	M 5	22,0	10,5	4,0	Brass
P0328.060-BR	M 6	26,8	12,9	4,9	Brass
P0328.080-BR	M 8	30,3	14,8	5,4	Brass
P0328.100-BR	M10	35,3	17,3	6,3	Brass
P0328.120-BR	M12	47,5	22,5	7,9	Brass
P0328.160-BR	M16	65	30,8	10,6	Brass
P0328.200-BR	M20	67	31,2	12,2	Brass



P0329



Material

Stainless steel (A2 AISI 303 & A4 AISI 316), steel (zinc-plated) and brass.

Technical Notes

To DIN 316 AF.

Order No.	d	l	w ₁	h ₁	h ₂	w ₂	Material
P0329.030-010-A2	M 3	10	17,6	8,6	2,4	1,2	A2 s/s
P0329.030-012-A2	M 3	12	17,6	8,6	2,4	1,2	A2 s/s
P0329.030-016-A2	M 3	16	17,6	8,6	2,4	1,2	A2 s/s
P0329.030-020-A2	M 3	20	17,6	8,6	2,4	1,2	A2 s/s
P0329.030-025-A2	M 3	25	17,6	8,6	2,4	1,2	A2 s/s
P0329.030-030-A2	M 3	30	17,6	8,6	2,4	1,2	A2 s/s
P0329.040-010-A2	M 4	10	18,0	8,5	3,2	1,6	A2 s/s
P0329.040-012-A2	M 4	12	18,0	8,5	3,2	1,6	A2 s/s
P0329.040-016-A2	M 4	16	18,0	8,5	3,2	1,6	A2 s/s
P0329.040-020-A2	M 4	20	18,0	8,5	3,2	1,6	A2 s/s
P0329.040-025-A2	M 4	25	18,0	8,5	3,2	1,6	A2 s/s
P0329.040-030-A2	M 4	30	18,0	8,5	3,2	1,6	A2 s/s
P0329.040-035-A2	M 4	35	18,0	8,5	3,2	1,6	A2 s/s
P0329.040-040-A2	M 4	40	18,0	8,5	3,2	1,6	A2 s/s
P0329.050-010-A2	M 5	10	24,0	11,0	4,0	2,1	A2 s/s
P0329.050-012-A2	M 5	12	24,0	11,0	4,0	2,1	A2 s/s
P0329.050-016-A2	M 5	16	24,0	11,0	4,0	2,1	A2 s/s
P0329.050-020-A2	M 5	20	24,0	11,0	4,0	2,1	A2 s/s
P0329.050-025-A2	M 5	25	24,0	11,0	4,0	2,1	A2 s/s
P0329.050-030-A2	M 5	30	24,0	11,0	4,0	2,1	A2 s/s
P0329.050-035-A2	M 5	35	24,0	11,0	4,0	2,1	A2 s/s
P0329.050-040-A2	M 5	40	24,0	11,0	4,0	2,1	A2 s/s
P0329.050-045-A2	M 5	45	24,0	11,0	4,0	2,1	A2 s/s
P0329.050-050-A2	M 5	50	24,0	11,0	4,0	2,1	A2 s/s
P0329.060-010-A2	M 6	10	30,0	15,0	5,0	2,5	A2 s/s
P0329.060-012-A2	M 6	12	30,0	15,0	5,0	2,5	A2 s/s
P0329.060-016-A2	M 6	16	30,0	15,0	5,0	2,5	A2 s/s
P0329.060-020-A2	M 6	20	30,0	15,0	5,0	2,5	A2 s/s
P0329.060-025-A2	M 6	25	30,0	15,0	5,0	2,5	A2 s/s
P0329.060-030-A2	M 6	30	30,0	15,0	5,0	2,5	A2 s/s
P0329.060-035-A2	M 6	35	30,0	15,0	5,0	2,5	A2 s/s
P0329.060-040-A2	M 6	40	30,0	15,0	5,0	2,5	A2 s/s

Order No.	d	l	w ₁	h ₁	h ₂	w ₂	Material
P0329.060-045-A2	M 6	45	30,0	15,0	5,0	2,5	A2 s/s
P0329.060-050-A2	M 6	50	30,0	15,0	5,0	2,5	A2 s/s
P0329.080-010-A2	M 8	10	36,0	18,0	6,5	2,8	A2 s/s
P0329.080-012-A2	M 8	12	36,0	18,0	6,5	2,8	A2 s/s
P0329.080-016-A2	M 8	16	36,0	18,0	6,5	2,8	A2 s/s
P0329.080-020-A2	M 8	20	36,0	18,0	6,5	2,8	A2 s/s
P0329.080-025-A2	M 8	25	36,0	18,0	6,5	2,8	A2 s/s
P0329.080-030-A2	M 8	30	36,0	18,0	6,5	2,8	A2 s/s
P0329.080-035-A2	M 8	35	36,0	18,0	6,5	2,8	A2 s/s
P0329.080-040-A2	M 8	40	36,0	18,0	6,5	2,8	A2 s/s
P0329.080-045-A2	M 8	45	36,0	18,0	6,5	2,8	A2 s/s
P0329.080-050-A2	M 8	50	36,0	18,0	6,5	2,8	A2 s/s
P0329.080-055-A2	M 8	55	36,0	18,0	6,5	2,8	A2 s/s
P0329.080-060-A2	M 8	60	36,0	18,0	6,5	2,8	A2 s/s
P0329.100-016-A2	M10	16	48,0	23,0	8,0	3,3	A2 s/s
P0329.100-020-A2	M10	20	48,0	23,0	8,0	3,3	A2 s/s
P0329.100-025-A2	M10	25	48,0	23,0	8,0	3,3	A2 s/s
P0329.100-030-A2	M10	30	48,0	23,0	8,0	3,3	A2 s/s
P0329.100-035-A2	M10	35	48,0	23,0	8,0	3,3	A2 s/s
P0329.100-040-A2	M10	40	48,0	23,0	8,0	3,3	A2 s/s
P0329.100-045-A2	M10	45	48,0	23,0	8,0	3,3	A2 s/s
P0329.100-050-A2	M10	50	48,0	23,0	8,0	3,3	A2 s/s
P0329.100-055-A2	M10	55	48,0	23,0	8,0	3,3	A2 s/s
P0329.100-060-A2	M10	60	48,0	23,0	8,0	3,3	A2 s/s
P0329.120-020-A2	M12	20	62,0	31,0	10,0	4,5	A2 s/s
P0329.120-025-A2	M12	25	62,0	31,0	10,0	4,5	A2 s/s
P0329.120-030-A2	M12	30	62,0	31,0	10,0	4,5	A2 s/s
P0329.030-010-A4	M 3	10	17,6	8,6	2,4	1,2	A4 s/s
P0329.030-012-A4	M 3	12	17,6	8,6	2,4	1,2	A4 s/s
P0329.030-016-A4	M 3	16	17,6	8,6	2,4	1,2	A4 s/s
P0329.030-020-A4	M 3	20	17,6	8,6	2,4	1,2	A4 s/s

Order No.	d	l	w ₁	h ₁	h ₂	w ₂	Material
P0329.120-020-ZP	M12	20	62,0	31,0	10,0	4,5	Steel ZP
P0329.120-025-ZP	M12	25	62,0	31,0	10,0	4,5	Steel ZP
P0329.120-030-ZP	M12	30	62,0	31,0	10,0	4,5	Steel ZP
P0329.030-010-BR	M 3	10	17,6	8,6	2,4	1,2	Brass
P0329.030-012-BR	M 3	12	17,6	8,6	2,4	1,2	Brass
P0329.030-016-BR	M 3	16	17,6	8,6	2,4	1,2	Brass
P0329.030-020-BR	M 3	20	17,6	8,6	2,4	1,2	Brass
P0329.030-025-BR	M 3	25	17,6	8,6	2,4	1,2	Brass
P0329.030-030-BR	M 3	30	17,6	8,6	2,4	1,2	Brass
P0329.040-010-BR	M 4	10	18,0	8,5	3,2	1,6	Brass
P0329.040-012-BR	M 4	12	18,0	8,5	3,2	1,6	Brass
P0329.040-016-BR	M 4	16	18,0	8,5	3,2	1,6	Brass
P0329.040-020-BR	M 4	20	18,0	8,5	3,2	1,6	Brass
P0329.040-025-BR	M 4	25	18,0	8,5	3,2	1,6	Brass
P0329.040-030-BR	M 4	30	18,0	8,5	3,2	1,6	Brass
P0329.040-035-BR	M 4	35	18,0	8,5	3,2	1,6	Brass
P0329.040-040-BR	M 4	40	18,0	8,5	3,2	1,6	Brass
P0329.050-010-BR	M 5	10	24,0	11,0	4,0	2,1	Brass
P0329.050-012-BR	M 5	12	24,0	11,0	4,0	2,1	Brass
P0329.050-016-BR	M 5	16	24,0	11,0	4,0	2,1	Brass
P0329.050-020-BR	M 5	20	24,0	11,0	4,0	2,1	Brass
P0329.050-025-BR	M 5	25	24,0	11,0	4,0	2,1	Brass
P0329.050-030-BR	M 5	30	24,0	11,0	4,0	2,1	Brass
P0329.050-035-BR	M 5	35	24,0	11,0	4,0	2,1	Brass
P0329.050-040-BR	M 5	40	24,0	11,0	4,0	2,1	Brass
P0329.050-045-BR	M 5	45	24,0	11,0	4,0	2,1	Brass
P0329.050-050-BR	M 5	50	24,0	11,0	4,0	2,1	Brass
P0329.060-010-BR	M 6	10	30,0	15,0	5,0	2,5	Brass
P0329.060-012-BR	M 6	12	30,0	15,0	5,0	2,5	Brass
P0329.060-016-BR	M 6	16	30,0	15,0	5,0	2,5	Brass
P0329.060-020-BR	M 6	20	30,0	15,0	5,0	2,5	Brass

Order No.	d	l	w ₁	h ₁	h ₂	w ₂	Material
P0329.060-025-BR	M 6	25	30,0	15,0	5,0	2,5	Brass
P0329.060-030-BR	M 6	30	30,0	15,0	5,0	2,5	Brass
P0329.060-035-BR	M 6	35	30,0	15,0	5,0	2,5	Brass
P0329.060-040-BR	M 6	40	30,0	15,0	5,0	2,5	Brass
P0329.060-045-BR	M 6	45	30,0	15,0	5,0	2,5	Brass
P0329.060-050-BR	M 6	50	30,0	15,0	5,0	2,5	Brass
P0329.080-010-BR	M 8	10	36,0	18,0	6,5	2,8	Brass
P0329.080-012-BR	M 8	12	36,0	18,0	6,5	2,8	Brass
P0329.080-016-BR	M 8	16	36,0	18,0	6,5	2,8	Brass
P0329.080-020-BR	M 8	20	36,0	18,0	6,5	2,8	Brass
P0329.080-025-BR	M 8	25	36,0	18,0	6,5	2,8	Brass
P0329.080-030-BR	M 8	30	36,0	18,0	6,5	2,8	Brass
P0329.080-035-BR	M 8	35	36,0	18,0	6,5	2,8	Brass
P0329.080-040-BR	M 8	40	36,0	18,0	6,5	2,8	Brass
P0329.080-045-BR	M 8	45	36,0	18,0	6,5	2,8	Brass
P0329.080-050-BR	M 8	50	36,0	18,0	6,5	2,8	Brass
P0329.080-055-BR	M 8	55	36,0	18,0	6,5	2,8	Brass
P0329.080-060-BR	M 8	60	36,0	18,0	6,5	2,8	Brass
P0329.100-016-BR	M10	16	48,0	23,0	8,0	3,3	Brass
P0329.100-020-BR	M10	20	48,0	23,0	8,0	3,3	Brass
P0329.100-025-BR	M10	25	48,0	23,0	8,0	3,3	Brass
P0329.100-030-BR	M10	30	48,0	23,0	8,0	3,3	Brass
P0329.100-035-BR	M10	35	48,0	23,0	8,0	3,3	Brass
P0329.100-040-BR	M10	40	48,0	23,0	8,0	3,3	Brass
P0329.100-045-BR	M10	45	48,0	23,0	8,0	3,3	Brass
P0329.100-050-BR	M10	50	48,0	23,0	8,0	3,3	Brass
P0329.100-055-BR	M10	55	48,0	23,0	8,0	3,3	Brass
P0329.100-060-BR	M10	60	48,0	23,0	8,0	3,3	Brass
P0329.120-020-BR	M12	20	62,0	31,0	10,0	4,5	Brass
P0329.120-025-BR	M12	25	62,0	31,0	10,0	4,5	Brass
P0329.120-030-BR	M12	30	62,0	31,0	10,0	4,5	Brass