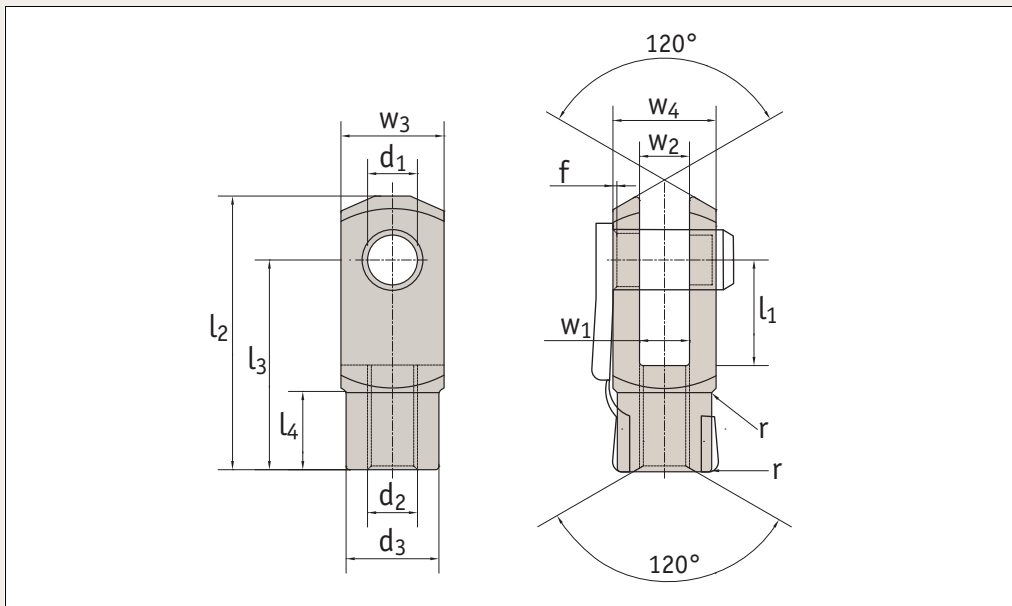




# R3387



**Material**

Steel 1.0718 (11SMnPb30k)  
silver zinc plated.

**Technical Notes**

M4-M16: DIN 71 752/DIN ISO 8140.  
M20: Similar to DIN 71 752/DIN ISO 8140 and according to CETOP standard.

**Tips**

For yellow zinc plated version see R3398.  
Standard thread is right hand, (for left

hand, see R3388).

Assembly made up using R3385 clevis joint and R3435 clevis retention clip.

**Important Notes**

For sizes M4-M12, f and r =0,5  
For sizes M14-M16, f and r =1  
For sizes M20, f=1, r = 1,5  
For r, radius or 45° bevelling.

Other Tolerances:-

- w<sub>4</sub>: M4-M16 = +0,3 -0,16  
M20 = +0,5 -0,2
- w<sub>2</sub>: size 4x8-10x20 = B13  
All others +0,7 +0,15
- d<sub>3</sub>: M4-M16 = ±0,3
- l<sub>2</sub>: size 4x8-6x12 = ±0,3  
All others ±0,4
- l<sub>3</sub>: M4-M16 = ±0,2  
M20 = ±0,3
- r: M20 = ±0,5

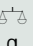
Order No.	Size	Thread (hand)	Thread type	d <sub>1</sub> H9	l <sub>1</sub> ±0,5	d <sub>2</sub>	d <sub>3</sub>	l <sub>2</sub> ±0,5	l <sub>3</sub>	l <sub>4</sub>	w <sub>1</sub> B13	w <sub>2</sub>	w <sub>3</sub> h11	w <sub>4</sub>	g
R3387.R040	4x8	Right	Coarse	4	8	M4	8	21	16	6,0	4	4	8	8	5
R3387.R051	5x10	Right	Coarse	5	10	M5	9	26	20	7,5	5	5	10	10	9
R3387.R052	5x20	Right	Coarse	5	20	M5	9	36	30	7,5	5	5	10	10	13
R3387.R061	6x12	Right	Coarse	6	12	M6	10	31	24	9,0	6	6	12	12	15
R3387.R062	6x24	Right	Coarse	6	24	M6	10	43	36	9,0	6	6	12	12	21
R3387.R081	8x16	Right	Coarse	8	16	M8	14	42	32	12,0	8	8	16	16	37
R3387.R082	8x16	Right	Fine	8	16	M8x1	14	42	32	12,0	8	8	16	16	37
R3387.R083	8x32	Right	Coarse	8	32	M8	14	58	48	12,0	8	8	16	16	54
R3387.R084	8x32	Right	Fine	8	32	M8x1	14	58	48	12,0	8	8	16	16	54
R3387.R102	10x20	Right	Coarse	10	20	M10	18	52	40	15,0	10	10	20	20	74
R3387.R103	10x20	Right	Fine	10	20	M10x1,25	18	52	40	15,0	10	10	20	20	74
R3387.R104	10x40	Right	Coarse	10	40	M10	18	72	60	15,0	10	10	20	20	116
R3387.R105	10x40	Right	Fine	10	40	M10x1,25	18	72	60	15,0	10	10	20	20	116
R3387.R122	12x24	Right	Coarse	12	24	M12	20	62	48	18,0	12	12	24	24	121
R3387.R123	12x24	Right	Fine	12	24	M12x1,25	20	62	48	18,0	12	12	24	24	121
R3387.R124	12x48	Right	Coarse	12	48	M12	20	86	72	18,0	12	12	24	24	175
R3387.R125	12x48	Right	Fine	12	48	M12x1,25	20	86	72	18,0	12	12	24	24	175
R3387.R142	14x28	Right	Coarse	14	28	M14	24	72	56	22,5	14	14	27	27	178
R3387.R143	14x28	Right	Fine	14	28	M14x1,5	24	72	56	22,5	14	14	27	27	178
R3387.R145	14x56	Right	Coarse	14	56	M14	24	101	85	22,5	14	14	27	27	258

# Steel Clevis Joints with Retention Clips

silver zinc plated

Clevis Joints



Order No.	Size	Thread (hand)	Thread type	d <sub>1</sub> H9	l <sub>1</sub> ±0,5	d <sub>2</sub>	d <sub>3</sub>	l <sub>2</sub> ±0,5	l <sub>3</sub>	l <sub>4</sub>	w <sub>1</sub> B13	w <sub>2</sub>	w <sub>3</sub> h11	w <sub>4</sub>	 g
R3387.R146	14x56	Right	Fine	14	56	M14x1,5	24	101	85	22,5	14	14	27	27	258
R3387.R163	16x32	Right	Coarse	16	32	M16	26	83	64	24,0	16	16	32	32	282
R3387.R164	16x32	Right	Fine	16	32	M16x1,5	26	83	64	24,0	16	16	32	32	282
R3387.R166	16x64	Right	Coarse	16	64	M16	26	115	96	24,0	16	16	32	32	411
R3387.R167	16x64	Right	Fine	16	64	M16x1,5	26	115	96	24,0	16	16	32	32	411
R3387.R204	20x40	Right	Coarse	20	40	M20	34	105	80	30,0	20	20	40	40	550
R3387.R205	20x40	Right	Fine	20	40	M20x1,5	34	105	80	30,0	20	20	40	40	550