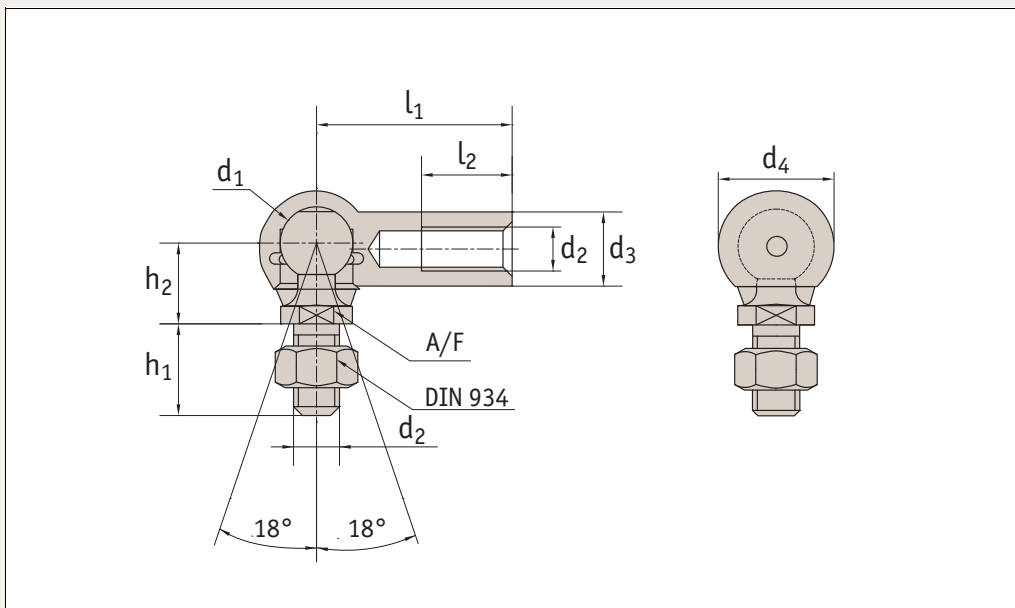




R3470



Material

Steel, silver zinc plated.
Ball stud: steel (minimum tensile strength $R_m=600N/mm^2$).
Housing: steel (minimum tensile strength $R_m=500N/mm^2$).
Sealing cap: neoprene.

Technical Notes

To DIN 71802 form CS.
Supplied with hexagon nut.
Safety ring aids the retention of the ball stud in the housing.
*M14x1,5 is a fine pitch thread.

Tips

For yellow zinc plated, see R3473.
Standard thread is right hand, (for left hand thread see R3471).

Order No.	Thread (hand)	d ₁	d ₂	l ₁ ±0.3	d ₃	d ₄	l ₂ min.	Δ±g
R3470.R005	Right	8	M 5	22	8	12,8	10,2	15,2
R3470.R006	Right	10	M 6	25	10	14,8	11,5	25,2
R3470.R008	Right	13	M 8	30	13	19,3	14,0	53,1
R3470.R010	Right	16	M10	35	16	24,0	15,5	103,8
R3470.R012	Right	16	M12	35	16	24,0	15,5	103,8
R3470.R014	Right	22	M14x1,5*	45	22	30,0	21,5	220,9
R3470.R015	Right	22	M14	45	22	30,0	21,5	220,9
R3470.R016	Right	22	M16	45	22	30,0	21,5	220,9

Order No.	h ₁ ±0.3	h ₂ ±0.3	A/F h14	Min. extraction force Kg	Max. static load Kg	Max. dynamic load Kg	Max. force required for movement Kg
R3470.R005	10,2	9	7	3	50	20	3
R3470.R006	12,5	11	8	4	100	40	4
R3470.R008	16,5	13	11	6	200	80	6
R3470.R010	20,0	16	13	8	400	160	8
R3470.R012	20,0	16	13	8	400	160	8
R3470.R014	28,0	22	16	10	800	320	10
R3470.R015	28,0	22	16	10	800	320	10
R3470.R016	28,0	22	16	10	800	320	10