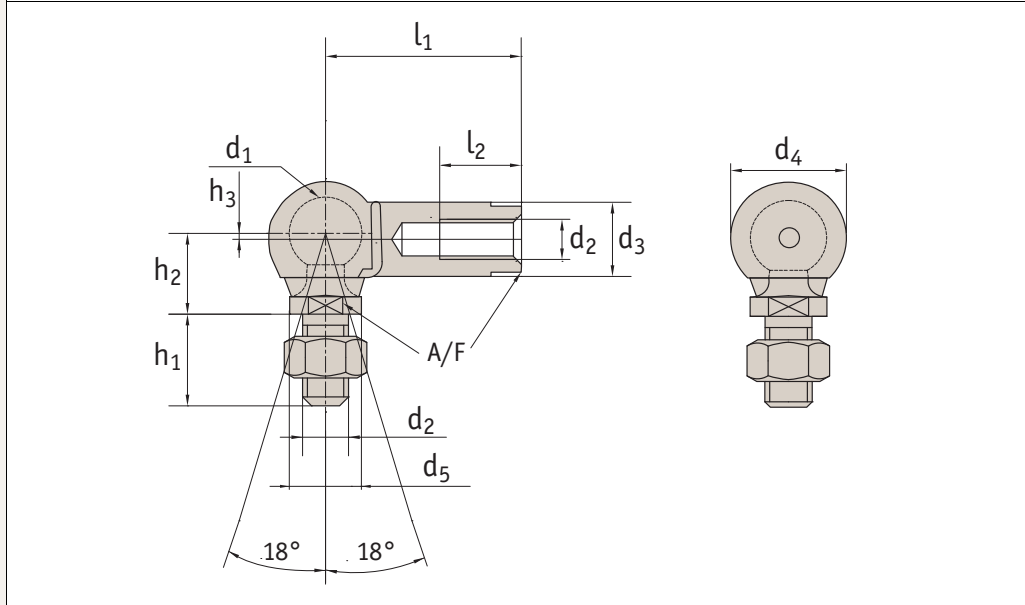




## R3496



### Material

Stainless steel (AISI 303).  
Sealing cap: neoprene.

### Technical Notes

To DIN 71802 form CS. Supplied with hexagon nut.  
Safety ring aids the retention of the ball stud in the housing.  
\*M14x1,5 is a fine pitch thread.

### Tips

Standard thread is right hand, (for left hand thread see R3497).

Order No.	Thread (hand)	d <sub>1</sub>	l <sub>1</sub> ±0.3	d <sub>2</sub>	d <sub>3</sub> ±0.5	d <sub>4</sub> ±0.5	d <sub>5</sub> ±0.5	h <sub>1</sub> ±0.3	h <sub>2</sub> ±0.3	l <sub>2</sub> min.	Δ <sup>±</sup> <sub>g</sub>
R3496.R005	Right	8	22	M5	8	12,8	8	10,0	9	10,2	15,2
R3496.R006	Right	10	25	M6	10	14,8	10	12,5	11	11,5	25,2
R3496.R008	Right	13	30	M8	13	19,3	13	16,5	13	14,0	53,1
R3496.R010	Right	16	35	M10	16	24,0	16	20,0	16	15,5	103,8
R3496.R012	Right	16	35	M12	16	24,0	16	20,0	16	15,5	103,8
R3496.R014	Right	22	45	M14x1,58	22	30,0	22	28,0	20	21,5	220,9
R3496.R015	Right	22	45	M14	22	30,0	22	28,0	20	21,5	220,9
R3496.R016	Right	22	45	M16	22	30,0	22	28,0	20	21,5	220,9

Order No.	h <sub>3</sub>	A/F h <sub>14</sub>	Min. extraction force Kg	Max. static load Kg	Max. dynamic load Kg	Max. force required for movement Kg
R3496.R005	0,65	7	3	50	20	3
R3496.R006	0,70	8	4	100	40	4
R3496.R008	1,15	11	6	200	80	6
R3496.R010	1,15	13	8	400	160	8
R3496.R012	1,15	13	8	400	160	8
R3496.R014	0,50	17	10	800	320	10
R3496.R015	0,50	17	10	800	320	10
R3496.R016	0,50	17	10	800	320	10