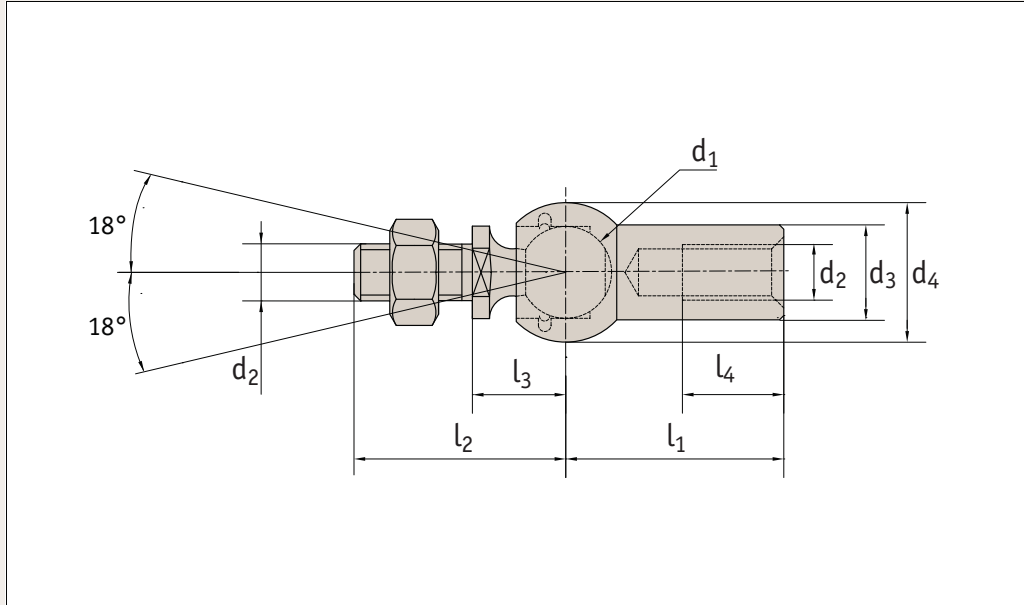




R3500



Material

Steel, silver zinc plated.
 Ball stud: minimum tensile strength
 $R_m=600\text{N/mm}^2$.
 Housing: minimum tensile strength
 $R_m=500\text{N/mm}^2$.

Technical Notes

Similar to DIN 71802
 *M14x1,5 is a fine pitch thread

Tips

Standard thread is right hand, (for left hand thread see R3501).
 For stainless steel version see R3506.

Order No.	Thread (hand)	d_1 h9	d_2	l_1	d_3 ± 0.5	d_4 ± 0.5	l_2	l_3	l_4	Extraction force N	$\frac{N}{g}$
R3500.R005	Right	8	M 5	22	8	12,8	19,2	9	10,2	30	15,2
R3500.R006	Right	10	M 6	25	10	14,8	23,5	11	11,5	40	25,2
R3500.R008	Right	13	M 8	30	13	19,3	29,5	13	14	60	53,1
R3500.R010	Right	16	M10	35	16	24,0	36	16	15,5	80	103,8
R3500.R014	Right	19	M14x1,5*	45	22	30,0	48	20	21,5	100	220,9