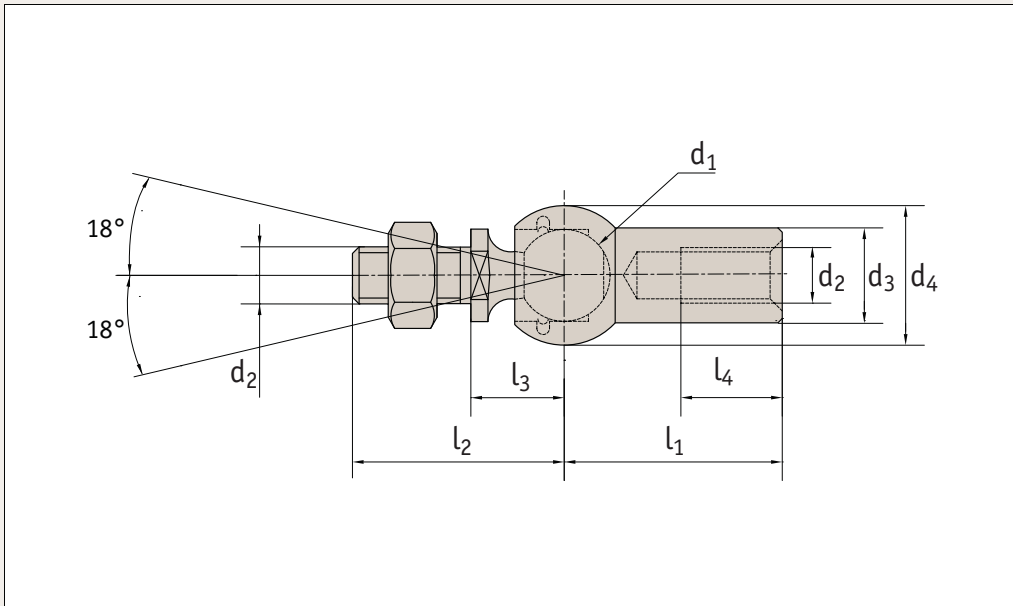


# Axial Ball and Socket Joints

left hand thread

Ball & Socket Joints



**R3501**

## Material

Steel, silver zinc plated.

Ball stud: minimum tensile strength  
 $R_m = 600 \text{ N/mm}^2$ .

Housing: minimum tensile strength  
 $R_m = 500 \text{ N/mm}^2$ .

## Technical Notes

Similar to DIN 71802

\*M14x1,5 is a fine pitch thread

## Tips

For stainless steel version see R3507.

Order No.	Thread (hand)	$d_1$ h9	$d_2$	$l_1$	$d_3$ $\pm 0.5$	$d_4$ $\pm 0.5$	$l_2$	$l_3$	$l_4$	Extraction force N	$\frac{g}{g}$
R3501.L005	Left	8	M5	22	8	12,8	19,2	9	10,2	30	15,2
R3501.L006	Left	10	M6	25	10	14,8	23,5	11	11,5	40	25,2
R3501.L008	Left	13	M8	30	13	19,3	29,5	13	14	60	53,1
R3501.L010	Left	16	M10	35	16	24	36	16	15,5	80	103,8
R3501.L014	Left	19	M14x1,5*	45	22	30	48	20	21,5	100	220,9