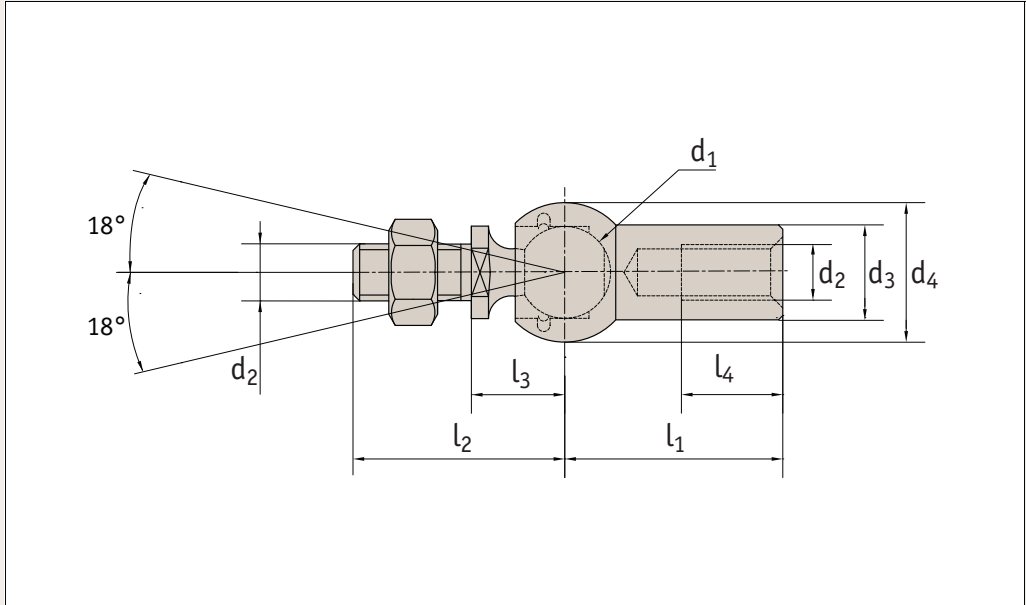




R3506



**Material**  
Stainless steel (AISI 303).

**Technical Notes**  
Similar to DIN 71802  
\*M14x1,5 is a fine pitch thread

**Tips**  
Standard thread is right hand, (for left hand thread see R3507).

Order No.	Thread (hand)	$d_1$ h9	$d_2$	$l_1$	$d_3$ $\pm 0.5$	$d_4$ $\pm 0.5$	$l_2$	$l_3$	$l_4$	Extraction force N	$\Delta \pm g$
R3506.R005	Right	8	M5	22	8	12,8	19,2	9	10,2	30	15,2
R3506.R006	Right	10	M6	25	10	14,8	23,5	11	11,5	40	25,2
R3506.R008	Right	13	M8	30	13	19,3	29,5	13	14	60	53,1
R3506.R010	Right	16	M10	35	16	24,0	36	16	15,5	80	103,8
R3506.R014	Right	19	M14x1,5*	45	22	30,0	48	20	21,5	100	220,9