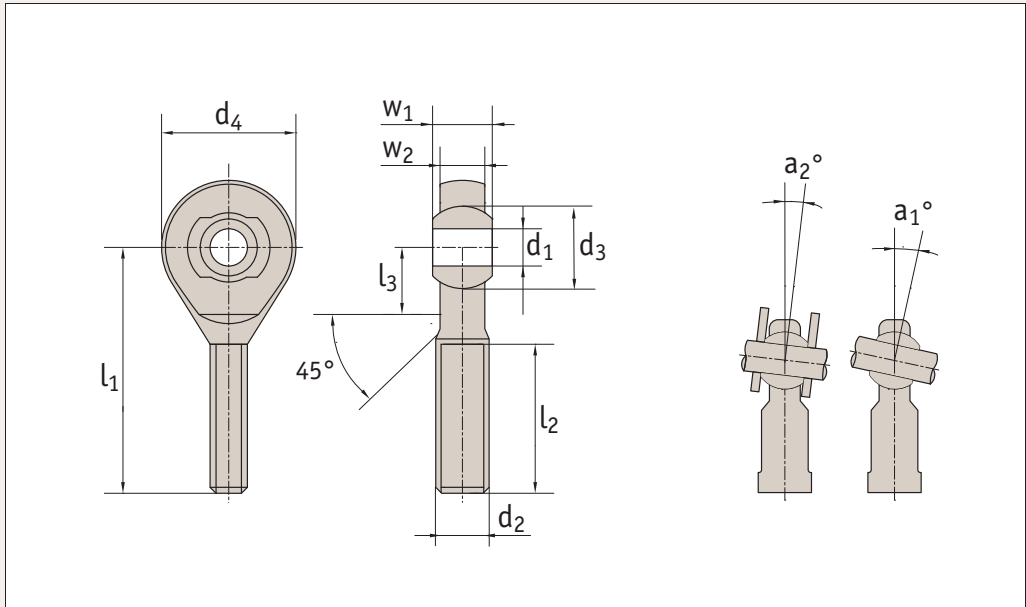




R3550



Material

Housing - forged steel, tempered, rolled thread, surface galvanized.

Joint ball - ball bearing steel, hardened and ground.

Race - nylon/teflon/glass compound.

Technical Notes

Maintenance free. Sizes according to DIN ISO 12240-4, series K.

For tolerances see technical page 123.

Tips

Standard thread is right hand thread.

Important Notes

*Denotes fine pitch thread.

Order No.	Thread (hand)	d_1 H7	l_1	d_2	d_3	d_4	l_2	l_3	$\frac{g}{g}$
R3550.R005	Right	5	33	M5	11,11	18	20	9	14
R3550.R006	Right	6	36	M6	12,70	20	22	12	20
R3550.R008	Right	8	42	M8	15,87	24	25	15	38
R3550.R010	Right	10	48	M10	19,05	28	29	15	60
R3550.R012	Right	12	54	M12	22,22	32	33	19	92
R3550.R014	Right	14	60	M14	25,40	36	36	20	127
R3550.R016	Right	16	66	M16	28,57	42	40	22	202
R3550.R018	Right	18	72	M18x1,5*	31,75	46	44	25	250
R3550.R020	Right	20	78	M20x1,5*	34,92	50	47	28	327
R3550.R022	Right	22	84	M22x1,5*	38,10	54	51	26	440
R3550.R025	Right	25	94	M24x2*	42,85	60	57	30	630
R3550.R030	Right	30	110	M30x2*	50,75	70	66	35	1015
R3550.L005	Left	5	33	M5	11,11	18	20	9	14
R3550.L006	Left	6	36	M6	12,70	20	22	12	20
R3550.L008	Left	8	42	M8	15,87	24	25	15	38
R3550.L010	Left	10	48	M10	19,05	28	29	15	60
R3550.L012	Left	12	54	M12	22,22	32	33	19	92
R3550.L014	Left	14	60	M14	25,40	36	36	20	127
R3550.L016	Left	16	66	M16	28,57	42	40	22	202
R3550.L018	Left	18	72	M18x1,5*	31,75	46	44	25	250
R3550.L020	Left	20	78	M20x1,5*	34,92	50	47	28	327
R3550.L022	Left	22	84	M22x1,5*	38,10	54	51	26	440
R3550.L025	Left	25	94	M24x2*	42,85	60	57	30	630
R3550.L030	Left	30	110	M30x2*	50,80	70	66	35	1015

Heavy-Duty Rod Ends - Male

with integral spherical plain bearing

Rod Ends



Order No.	w ₁	w ₂	a ₁ °	a ₂ °	Max. dynamic load C kN	Max. static load C ₀ kN
R3550.R005	8	6,00	13,0	7,5	3,9	5,6
R3550.R006	9	6,75	13,0	6,5	4,6	7,8
R3550.R008	12	9,00	14,5	7,5	7,0	14,3
R3550.R010	14	10,50	13,5	8,0	10,4	22,6
R3550.R012	16	12,00	13,0	8,0	12,4	32,8
R3550.R014	19	13,50	16,0	9,5	15,4	41,3
R3550.R016	21	15,00	15,5	8,5	22,4	56,6
R3550.R018	23	16,50	15,0	9,5	26,3	69,7
R3550.R020	25	18,00	14,5	9,0	30,8	82,2
R3550.R022	28	20,00	15,5	10,0	38,2	95,6
R3550.R025	31	22,00	15,0	10,0	45,3	118,6
R3550.R030	37	25,00	17,0	10,5	55,0	145,6
R3550.L005	8	6,00	13,0	7,5	3,9	5,6
R3550.L006	9	6,75	13,0	6,5	4,6	7,8
R3550.L008	12	9,00	14,5	7,5	7,0	14,3
R3550.L010	14	10,50	13,5	8,0	10,4	22,6
R3550.L012	16	12,00	13,0	8,0	12,4	32,8
R3550.L014	19	13,50	16,0	9,5	15,4	41,3
R3550.L016	21	15,00	15,5	8,5	22,4	56,6
R3550.L018	23	16,50	15,0	9,5	26,3	69,7
R3550.L020	25	18,00	14,5	9,0	30,8	82,2
R3550.L022	28	20,00	15,5	10,0	38,2	95,6
R3550.L025	31	22,00	15,0	10,0	45,3	118,6
R3550.L030	37	25,00	17,0	10,5	55,0	145,6