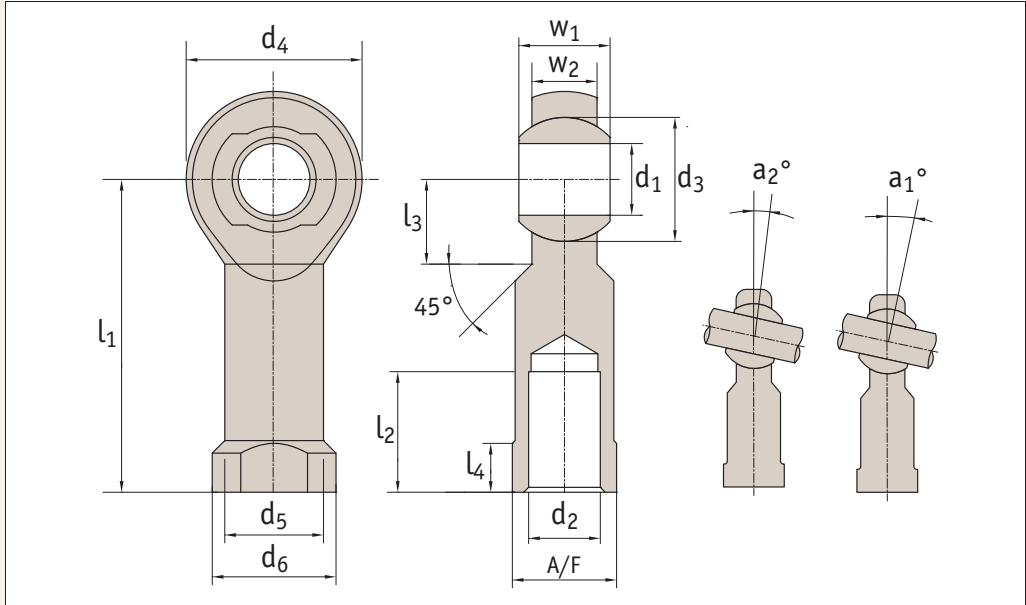




R3551



Material

Rod end housing - forged steel, tempered, surface galvanized.
 Joint ball - ball bearing steel, hardened and ground, polished and chromium plated.
 Race - nylon/teflon/glass compound.

Technical Notes

Maintenance free. Sizes according to DIN ISO 12240-4, series K, thread according to Cetop RP 103 P. For tolerances see technical page 123.

Tips

Standard thread is right hand thread.

Important Notes

* Denotes fine pitch thread.

Order No.	Thread (hand)	d ₁ H7	l ₁	d ₂	d ₃	d ₄	d ₅	d ₆	l ₂	$\frac{\Delta}{g}$
R3551.R004	Right	5	27	M4	11,11	18	9,0	11	10	18
R3551.R005	Right	5	27	M5	11,11	18	9,0	11	10	18
R3551.R006	Right	6	30	M6	12,70	20	10,0	13	12	24
R3551.R008	Right	8	36	M8	15,87	24	12,5	16	16	45
R3551.R010	Right	10	43	M10	19,05	28	15,0	19	20	74
R3551.R011	Right	10	43	M10x1,25*	19,05	28	15,0	19	20	74
R3551.R012	Right	12	50	M12	22,22	32	17,5	22	22	109
R3551.R013	Right	12	50	M12x1,25*	22,22	32	17,5	22	22	109
R3551.R014	Right	14	57	M14	25,40	36	20,0	25	25	155
R3551.R016	Right	16	64	M16	28,57	42	22,0	27	28	233
R3551.R017	Right	16	64	M16x1,5*	28,57	42	22,0	27	28	233
R3551.R018	Right	18	71	M18x1,5*	31,75	46	25,0	31	32	310
R3551.R020	Right	20	77	M20x1,5*	34,92	50	27,5	34	33	386
R3551.R022	Right	22	84	M22x1,5*	38,10	54	30,0	38	37	520
R3551.R025	Right	25	94	M24x2*	42,85	60	33,5	42	42	705
R3551.R030	Right	30	110	M30x2*	50,80	70	40,0	50	51	1084
R3551.R031	Right	30	110	M27x2*	50,80	70	40,0	50	51	1084
R3551.L004	Left	5	27	M4	11,11	18	9,0	11	10	18
R3551.L005	Left	5	27	M5	11,11	18	9,0	11	10	18
R3551.L006	Left	6	30	M6	12,70	20	10,0	13	12	24
R3551.L008	Left	8	36	M8	15,87	24	12,5	16	16	45
R3551.L010	Left	10	43	M10	19,05	28	15,0	19	20	74
R3551.L011	Left	10	43	M10x1,25*	19,05	28	15,0	19	20	74
R3551.L012	Left	12	50	M12	22,22	32	17,5	22	22	109
R3551.L013	Left	12	50	M12x1,25*	22,22	32	17,5	22	22	109

Heavy-Duty Rod Ends - Female

with integral spherical plain bearing

Rod Ends

Order No.	Thread (hand)	d ₁ H7	l ₁	d ₂	d ₃	d ₄	d ₅	d ₆	l ₂	$\frac{G}{g}$
R3551.L014	Left	14	57	M14	25,40	36	20,0	25	25	155
R3551.L016	Left	16	64	M16	28,57	42	22,0	27	28	233
R3551.L017	Left	16	64	M16x1,5*	28,57	42	22,0	27	28	233
R3551.L018	Left	18	71	M18x1,5*	31,75	46	25,0	31	32	310
R3551.L020	Left	20	77	M20x1,5*	34,92	50	27,5	34	33	386
R3551.L022	Left	22	84	M22x1,5*	38,10	54	30,0	38	37	520
R3551.L025	Left	25	94	M24x2*	42,85	60	33,5	42	42	705
R3551.L030	Left	30	110	M30x2*	50,80	70	40,0	50	51	1084
R3551.L031	Left	30	110	M27x2*	50,80	70	40,0	50	51	1084

Order No.	l ₃	l ₄	w ₁	w ₂	A/F	a ₁ °	a ₂ °	Max. dynamic load C kN	Max. static load C ₀ kN
R3551.R004	10	4,0	8	6,00	9	13,0	7,5	3,91	10,8
R3551.R005	10	4,0	8	6,00	9	13,0	7,5	3,91	10,8
R3551.R006	12	5,0	9	6,75	11	13,0	6,5	4,59	12,8
R3551.R008	12	5,0	12	9,00	14	14,5	7,5	6,965	19,2
R3551.R010	15	6,5	14	10,50	17	13,5	8,0	10,42	27,4
R3551.R011	15	6,5	14	10,50	17	13,5	8,0	10,42	27,4
R3551.R012	16	6,5	16	12,00	19	13,0	8,0	12,42	33,4
R3551.R013	16	6,5	16	12,00	19	13,0	8,0	12,42	33,4
R3551.R014	20	8,0	19	13,50	22	16,0	9,5	15,44	41,3
R3551.R016	22	8,0	21	15,00	22	15,5	8,5	22,41	59,6
R3551.R017	22	8,0	21	15,00	22	15,5	8,5	22,41	59,6
R3551.R018	24	10,0	23	16,50	27	15,0	9,5	26,32	69,7
R3551.R020	26	10,0	25	18,00	30	14,5	9,0	30,80	82,2
R3551.R022	26	12,0	28	20,00	32	15,5	10,0	38,23	95,60
R3551.R025	30	12,0	31	22,00	36	15,0	10,0	45,35	118,6
R3551.R030	35	15,0	37	25,00	41	17,0	10,5	55,01	145,6
R3551.R031	35	15,0	37	25,0	41	17,0	10,5	55,01	145,6
R3551.L004	10	4,0	8	6,00	9	13,0	7,5	3,91	10,8
R3551.L005	10	4,0	8	6,00	9	13,0	7,5	3,91	10,8
R3551.L006	12	5,0	9	6,75	11	13,0	6,5	4,59	12,8
R3551.L008	12	5,0	12	9,00	14	14,5	7,5	6,965	19,20
R3551.L010	15	6,5	14	10,50	17	13,5	8,0	10,42	27,4
R3551.L011	15	6,5	14	10,50	17	13,5	8,0	10,42	27,4
R3551.L012	16	6,5	16	12,00	19	13,0	8,0	12,42	33,4
R3551.L013	16	6,5	16	12,00	19	13,0	8,0	12,42	33,4
R3551.L014	20	8,0	19	13,50	22	16,0	9,5	15,44	41,3
R3551.L016	22	8,0	21	15,00	22	15,5	8,5	22,41	59,6
R3551.L017	22	8,0	21	15,00	22	15,5	8,5	22,41	59,6
R3551.L018	24	10,0	23	16,50	27	15,0	9,5	26,32	69,7
R3551.L020	26	10,0	25	18,00	30	14,5	9,0	30,80	82,2
R3551.L022	26	12,0	28	20,00	32	15,5	10,0	38,23	95,6
R3551.L025	30	12,0	31	22,00	36	15,0	10,0	45,35	118,6
R3551.L030	35	15,0	37	25,00	41	17,0	10,5	55,01	145,6
R3551.L031	35	15,0	37	25,00	41	17,0	10,5	55,01	145,6