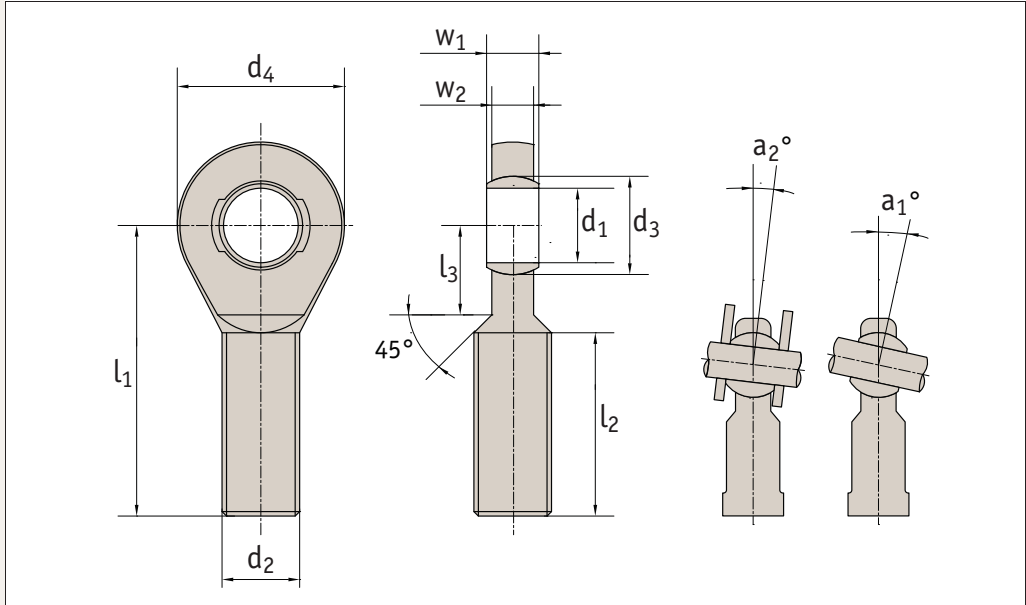




R3553



Material

Housing - forged steel, tempered, rolled thread, surface galvanized.
Joint ball - ball bearing steel, hardened and ground, surface superfinished and

chromium plated.

Race - nylon/teflon/glass compound.

Technical Notes

Maintenance free. Sizes according to DIN ISO 12240-4, series E.
For tolerances technical page 123

Tips

Standard thread is right hand thread.

Important Notes

*Denotes fine pitch thread.

Order No.	Thread (hand)	d_1 κ_6	l_1	d_2	d_3	d_4	l_2	l_3	$\frac{\Delta}{g}$
R3553.R006	Right	6	36	M6	10,0	20	22	11	14
R3553.R008	Right	8	42	M8	13,0	23	25	12	24
R3553.R010	Right	10	48	M10	16,0	28	29	15	41
R3553.R012	Right	12	54	M12	18,0	32	33	15	67
R3553.R015	Right	15	63	M14	22,0	38	33	18	110
R3553.R017	Right	17	69	M16	25,0	44	40	23	163
R3553.R020	Right	20	78	M20x1,5*	29,0	51	47	25	270
R3553.R025	Right	25	94	M24x2*	35,5	62	57	32	508
R3553.R030	Right	30	110	M30x2*	40,7	70	66	35	785
R3553.R035	Right	35	140	M36x3*	47,0	82	92	38	1330
R3553.R040	Right	40	145	M42x3*	53,0	92	94	42	1890
R3553.R041	Right	40	150	M39x3*	53,0	92	99	42	1785
R3553.R045	Right	45	165	M45x3*	60,0	102	100	50	2620
R3553.R046	Right	45	163	M42x3*	60,0	102	98	50	2430
R3553.R050	Right	50	195	M52x3*	66,0	112	120	60	3865
R3553.R051	Right	50	185	M45x3*	66,0	112	110	60	3225
R3553.R060	Right	60	225	M60x4*	80,0	135	140	70	6400
R3553.R061	Right	60	210	M60x4*	80,0		125	70	5430
R3553.L006	Left	6	36	M6	10,0	20	22	11	14
R3553.L008	Left	8	42	M8	13,0	23	25	12	24
R3553.L010	Left	10	48	M10	16,0	28	29	15	41
R3553.L012	Left	12	54	M12	18,0	32	33	15	67
R3553.L015	Left	15	63	M14	22,0	38	33	18	110
R3553.L017	Left	17	69	M16	25,0	44	40	23	163
R3553.L020	Left	20	78	M20x1,5*	29,0	51	47	25	270

Heavy-Duty Rod Ends - Male

with integral spherical plain bearing

Rod Ends

Order No.	Thread (hand)	d ₁ K6	l ₁	d ₂	d ₃	d ₄	l ₂	l ₃	$\frac{\Delta \pm \Delta}{g}$
R3553.L025	Left	25	94	M24x2*	35,5	62	57	32	508
R3553.L030	Left	30	110	M30x2*	40,7	70	66	35	785
R3553.L035	Left	35	140	M36x3*	47,0	82	92	38	1330
R3553.L040	Left	40	145	M42x3*	53,0	92	94	42	1890
R3553.L041	Left	40	150	M39x3*	53,0	92	99	42	1785
R3553.L045	Left	45	165	M45x3*	60,0	102	100	50	2620
R3553.L046	Left	45	163	M42x3*	60,0	102	98	50	2430
R3553.L050	Left	50	195	M52x3,0*	66,0	112	120	60	3865
R3553.L051	Left	50	185	M45x3,0*	66,0	112	110	60	3225
R3553.L060	Left	60	225	M60x4,0*	80,0	135	140	70	6400
R3553.L061	Left	60	210	M52x3,0*	80,0	135	125	70	5430

Order No.	w ₁	w ₂	a ₁ °	a ₂ °	Max. dynamic load C kN	Max. static load C ₀ kN
R3553.R006	6	4	13,0	6,5	2,5	6,4
R3553.R008	8	5	15,0	8,0	4,2	11,0
R3553.R010	9	6	12,0	6,0	6,4	16,8
R3553.R012	10	7	10,5	5,0	9,2	23,0
R3553.R015	12	9	8,5	4,5	13,4	39,6
R3553.R017	14	10	10,0	5,5	19,2	54,1
R3553.R020	16	12	9,0	4,5	25,2	76,7
R3553.R025	20	16	7,5	3,5	42,4	119,1
R3553.R030	22	18	6,0	3,0	54,0	141,8
R3553.R035	25	20	6,5	3,5	70,4	180,8
R3553.R040	28	22	7,0	3,5	86,0	222,6
R3553.R041	28	22	7,0	3,5	86,0	222,6
R3553.R045	32	25	7,5	4,0	107,0	276,2
R3553.R046	32	25	7,5	4,0	107,0	276,2
R3553.R050	35	28	6,5	3,0	132,0	339,2
R3553.R051	35	28	6,5	3,0	132,0	339,2
R3553.R060	44	36	6,5	3,5	208,0	532,1
R3553.R061	44	36	6,5	3,5	208,0	532,1
R3553.L006	6	4	13,0	6,5	2,5	6,4
R3553.L008	8	5	15,0	8,0	4,2	11,0
R3553.L010	9	6	12,0	6,0	6,4	16,8
R3553.L012	10	7	10,5	5,0	9,2	23,0
R3553.L015	12	9	8,5	4,5	13,4	39,6
R3553.L017	14	10	10,0	5,5	19,2	54,1
R3553.L020	16	12	9,0	4,5	25,2	76,7
R3553.L025	20	16	7,5	3,5	42,4	119,1
R3553.L030	22	18	6,0	3,0	54,0	141,8
R3553.L035	25	20	6,5	3,5	70,4	180,8
R3553.L040	28	22	7,0	3,5	86,0	222,6
R3553.L041	28	22	7,0	3,5	86,0	222,6
R3553.L045	32	25	7,5	4,0	107,0	276,2
R3553.L046	32	25	7,5	4,0	107,0	276,2
R3553.L050	35	28	6,5	3,0	132,0	339,2
R3553.L051	35	28	6,5	3,0	132,0	339,2
R3553.L060	44	36	6,5	3,5	208,0	532,1
R3553.L061	44	36	6,5	3,5	208,0	532,1