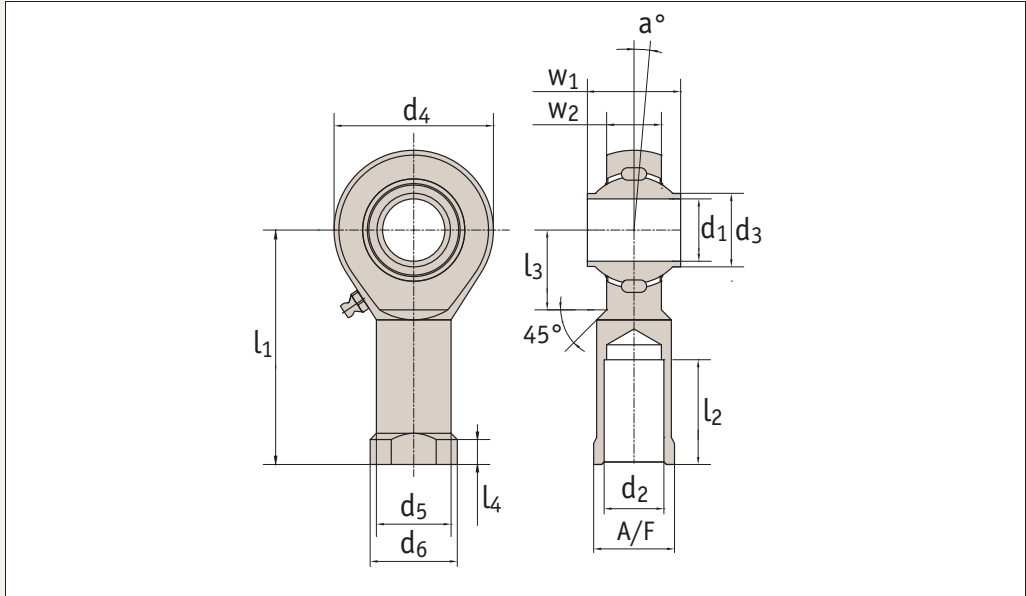


## R3562



### Material

Rod end housing - forged steel, tempered, case hardened bearing race, ground and lapped, surface galvanized.

Inner ring - ball bearing steel, hardened, superfine ground.

Lubrication - calcium-complex-soap-

grease, temp range -20°C to +120°C.  
Lubrication nipple - DIN 71412 H1.

### Technical Notes

Low maintenance. Sizes according to DIN ISO 12240-4, series K.

For tolerances see technical page 123.

### Tips

Standard thread is right hand thread.

### Important Notes

\*Denotes fine pitch thread.

Order No.	Thread (hand)	d <sub>1</sub> H7	l <sub>1</sub>	d <sub>2</sub>	d <sub>3</sub>	d <sub>4</sub>	d <sub>5</sub>	d <sub>6</sub>	l <sub>2</sub>	$\frac{\Delta^+}{\Delta^-}$ g
R3562.R012	Right	12	50,0	M12	14,5	32	17,5	22	22,0	109
R3562.R016	Right	16	64,0	M16	19,0	42	22,0	27	28,0	220
R3562.R020	Right	20	77,0	M20x1,5*	24,5	50	27,5	34	33,0	361
R3562.R025	Right	25	94,0	M24x2*	29,5	64	30,0	35	42,0	565
R3562.R030	Right	30	15,0	M30x2*	70,0	50	40,0	37	15,0	1000
R3562.L012	Left	12	50,0	M12	14,5	32	17,5	22	22,0	109
R3562.L016	Left	16	64,0	M16	19,0	42	22,0	27	28,0	220
R3562.L020	Left	20	77,0	M20x1,5*	24,5	50	27,5	34	33,0	361
R3562.L025	Left	25	94,0	M24x2*	29,5	64	30,0	35	42,0	565
R3562.L030	Left	30	15,0	M30x2*	70,0	50	40,0	37	15,0	1000

Order No.	l <sub>3</sub>	l <sub>4</sub>	w <sub>1</sub>	w <sub>2</sub>	A/F	a°	Max. speed rpm	Max. dynamic load C kN	Max. static load C <sub>0</sub> kN
R3562.R012	16	6,5	16	12	19	7,5	1125	10,3	6,6
R3562.R016	22	8,0	21	15	22	7,0	975	13,3	8,9
R3562.R020	26	10,0	25	18	30	7,0	825	17,0	11,7
R3562.R025	32	10,0	31	22	30	5,0	600	24,9	18,5
R3562.R030	41	35,0	25	110	41	7,5	450	32,5	24,9
R3562.L012	16	6,5	16	12	19	7,5	1125	10,3	6,6
R3562.L016	22	8,0	21	15	22	7,0	975	13,3	8,9

# Heavy-Duty Rod Ends - Female

with integral roller bearing

Rod Ends



Order No.	$l_3$	$l_4$	$w_1$	$w_2$	A/F	$\alpha^\circ$	Max. speed rpm	Max. dynamic load C kN	Max. static load $C_0$ kN
<b>R3562.L020</b>	26	10,0	25	18	30	7,0	825	17,0	11,7
<b>R3562.L025</b>	32	10,0	31	22	30	5,0	600	24900	18500
<b>R3562.L030</b>	41	35,0	25	110	41	7,5	450	32,5	24,9