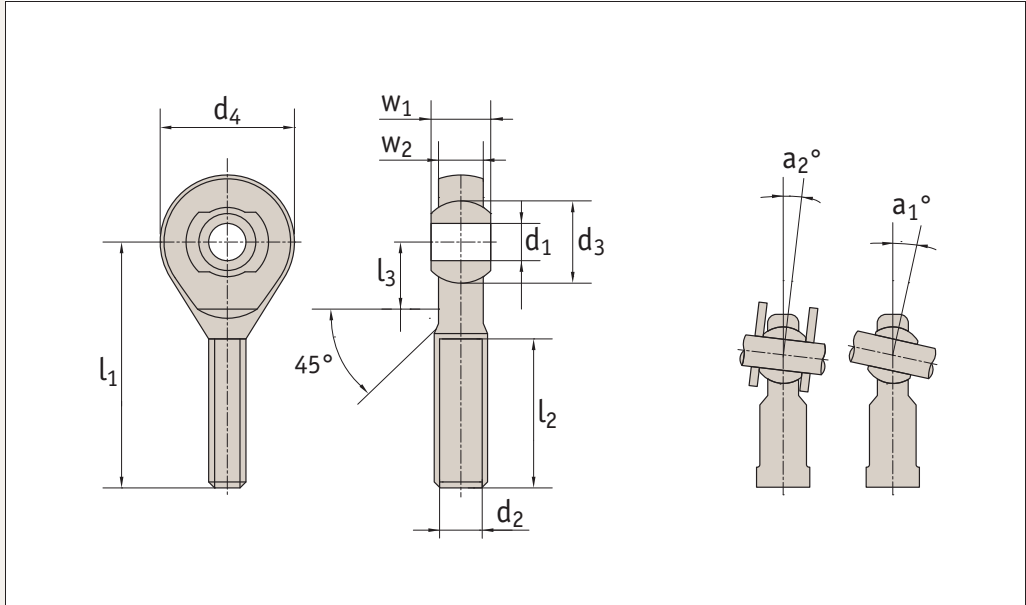




R3565



Material

Rod end housing: Stainless steel DIN 1.4301 (AISI 304), forged, rolled thread
 Joint ball: Stainless steel 1.4412, hardened and ground, surface polished.
 Race: Nylon/Teflon/glass compound.

Technical Notes

Maintenance free.
 For tolerances see technical page 123.

Standard thread is right hand thread.

Tips

A2 stainless steel provides good corrosion resistance to a wide range of

atmospheric conditions and corrosive media. It is considered resistant to potable water.

Important Notes

*Denotes fine pitch thread.

Order No.	Thread (hand)	d ₁ H7	l ₁	d ₂	d ₃	d ₄	l ₂	l ₃	g
R3565.R005	Right	5	33	M5	11,11	18	20	9	14
R3565.R006	Right	6	36	M6	12,70	20	22	12	20
R3565.R008	Right	8	42	M8	15,87	24	25	15	38
R3565.R010	Right	10	48	M10	19,05	28	29	15	60
R3565.R012	Right	12	54	M12	22,22	32	33	19	92
R3565.R014	Right	14	60	M14	25,40	36	36	20	127
R3565.R016	Right	16	66	M16	28,57	42	40	22	202
R3565.R018	Right	18	72	M18x1,5*	31,75	46	44	25	250
R3565.R020	Right	20	78	M20x1,5*	34,92	50	47	28	327
R3565.R022	Right	22	84	M22x1,5*	38,10	54	51	26	440
R3565.R025	Right	25	94	M24x2*	42,85	60	57	30	630
R3565.R030	Right	30	110	M30x2*	50,80	70	66	35	1015
R3565.L005	Left	5	33	M5	11,11	18	20	9	14
R3565.L006	Left	6	36	M6	12,70	20	22	12	20
R3565.L008	Left	8	42	M8	15,87	24	25	15	38
R3565.L010	Left	10	48	M10	19,05	28	29	15	60
R3565.L012	Left	12	54	M12	22,22	32	33	19	92
R3565.L014	Left	14	60	M14	25,40	36	36	20	127
R3565.L016	Left	16	66	M16	28,57	42	40	22	202
R3565.L018	Left	18	72	M18x1,5*	31,75	46	44	25	250
R3565.L020	Left	20	78	M20x1,5*	34,92	50	47	28	327

Stainless Heavy-Duty Rod Ends - Male

with integral spherical plain bearing

Rod Ends

Order No.	Thread (hand)	d ₁ H7	l ₁	d ₂	d ₃	d ₄	l ₂	l ₃	$\frac{\Delta}{g}$
R3565.L022	Left	22	84	M22x1,5*	38,10	54	51	26	440
R3565.L025	Left	25	94	M24x2*	42,85	60	57	30	630
R3565.L030	Left	30	110	M30x2*	50,80	70	66	35	1015

Order No.	w ₁	w ₂	a ₁ °	a ₂ °	Max. dynamic load C kN	Max. static load C ₀ kN
R3565.R005	8	6,00	13,0	7,5	3,9	3,9
R3565.R006	9	6,75	13,0	6,5	4,6	5,4
R3565.R008	12	9,00	14,5	7,5	7,0	9,7
R3565.R010	14	10,50	13,5	8,0	10,4	15,4
R3565.R012	16	12,00	13,0	8,0	12,4	22,3
R3565.R014	19	13,50	16,0	9,5	15,4	30,4
R3565.R016	21	15,00	15,5	8,5	22,4	41,5
R3565.R018	23	16,50	15,0	9,5	26,3	51,2
R3565.R020	25	18,00	14,5	9,0	30,8	60,3
R3565.R022	28	20,00	15,5	10,0	38,2	70,0
R3565.R025	31	22,00	15,0	10,0	45,4	87,0
R3565.R030	37	25,00	17,0	10,5	55,0	106,8
R3565.L005	8	6,00	13,0	7,5	3,9	3,9
R3565.L006	9	6,75	13,0	6,5	4,6	5,4
R3565.L008	12	9,00	14,5	7,5	7,0	9,7
R3565.L010	14	10,50	13,5	8,0	10,4	15,4
R3565.L012	16	12,00	13,0	8,0	12,4	22,3
R3565.L014	19	13,50	16,0	9,5	15,4	30,4
R3565.L016	21	15,00	15,5	8,5	22,4	41,5
R3565.L018	23	16,50	15,0	9,5	26,3	51,2
R3565.L020	25	18,00	14,5	9,0	30,8	60,3
R3565.L022	28	20,00	15,5	10,0	38,2	70,0
R3565.L025	31	22,00	15,0	10,0	45,4	87,0
R3565.L030	37	25,00	17,0	10,5	55,0	106,8