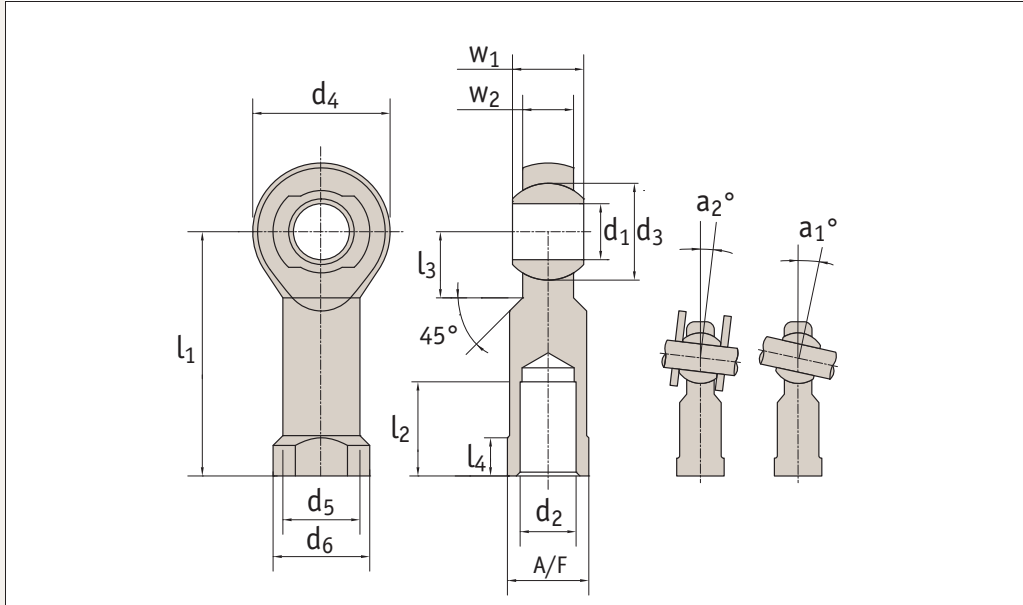




R3566



Material

Rod end housing: Stainless steel DIN 1.4301 (AISI 304).
Joint Ball: Stainless steel 1.4412, hardened and ground, surface polished.
Race: nylon/teflon/glass compound.

Technical Notes

Maintenance free.
For tolerances see technical page 123.
Standard thread is right hand thread.

Tips

A2 stainless steel provides good corrosion resistance to a wide range of atmospheric conditions and corrosive media. It is considered resistant to potable water.

Important Notes

*Denotes fine pitch thread.

Order No.	Thread (hand)	d ₁ H7	l ₁	d ₂	d ₃	d ₄	d ₅	d ₆	l ₂	$\frac{\Delta^+}{\Delta^-}$ g
R3566.R004	Right	5	27	M4	11,11	18	9,0	11	10	18
R3566.R005	Right	5	27	M5	11,11	18	9,0	11	10	18
R3566.R006	Right	6	30	M6	12,70	20	10,0	13	12	24
R3566.R008	Right	8	36	M8	15,87	24	12,5	16	16	45
R3566.R010	Right	10	43	M10	19,05	28	15,0	19	20	74
R3566.R011	Right	10	43	M10x1,25*	19,05	28	15,0	19	20	74
R3566.R012	Right	12	50	M12	22,22	32	17,5	22	22	109
R3566.R013	Right	12	50	M12x1,25*	22,22	32	17,5	22	22	109
R3566.R014	Right	14	57	M14	25,40	36	20,0	25	25	155
R3566.R016	Right	16	64	M16	28,57	42	22,0	27	28	233
R3566.R017	Right	16	64	M16x1,5*	28,57	42	22,0	27	28	233
R3566.R018	Right	18	71	M18x1,5*	31,75	46	25,0	31	32	310
R3566.R020	Right	20	77	M20x1,5*	34,92	50	27,5	34	33	386
R3566.R022	Right	22	84	M22x1,5*	38,10	54	30,0	38	37	520
R3566.R025	Right	25	94	M24x2*	42,85	60	33,5	42	42	705
R3566.R030	Right	30	110	M30x2*	50,80	70	40,0	50	51	1084
R3566.R031	Right	30	110	M27x2*	50,80	70	40,0	50	51	1084
R3566.L004	Left	5	27	M4	11,11	18	9,0	11	10	18
R3566.L005	Left	5	27	M5	11,11	18	9,0	11	10	18
R3566.L006	Left	6	30	M6	12,70	20	10,0	13	12	24
R3566.L008	Left	8	36	M8	15,87	24	12,5	16	16	45
R3566.L010	Left	10	43	M10	19,05	28	15,0	19	20	74
R3566.L011	Left	10	43	M10x1,25*	19,05	28	15,0	19	20	74

Stainless Heavy-Duty Rod Ends - Female

with integral spherical plain bearing

Rod Ends

Order No.	Thread (hand)	d ₁ H7	l ₁	d ₂	d ₃	d ₄	d ₅	d ₆	l ₂	$\frac{\Delta}{g}$
R3566.L012	Left	12	50	M12	22,22	32	17,5	22	22	109
R3566.L013	Left	12	50	M12x1,25*	22,22	32	17,5	22	22	109
R3566.L014	Left	14	57	M14	25,40	36	20,0	25	25	155
R3566.L016	Left	16	64	M16	28,57	42	22,0	27	28	233
R3566.L017	Left	16	64	M16x1,5*	28,57	42	22,0	27	28	233
R3566.L018	Left	18	71	M18x1,5*	31,75	46	25,0	31	32	310
R3566.L020	Left	20	77	M20x1,5*	34,92	50	27,5	34	33	386
R3566.L022	Left	22	84	M22x1,5*	38,10	54	30,0	38	37	520
R3566.L025	Left	25	94	M24x2*	42,85	60	33,5	42	42	705
R3566.L030	Left	30	110	M30x2*	50,80	70	40,0	50	51	1084
R3566.L031	Left	30	110	M27x2*	50,80	70	40,0	50	51	1084

Order No.	l ₃	l ₄	w ₁	w ₂	A/F	a ₁ °	a ₂ °	Max dynamic load C kN	Max static load C ₀ kN
R3566.R004	10	4,0	8	6,00	9	13,0	7,5	3,9	7,9
R3566.R005	10	4,0	8	6,00	9	13,0	7,5	3,9	7,9
R3566.R006	12	5,0	9	6,75	11	13,0	6,5	4,6	9,4
R3566.R008	12	5,0	12	9,00	14	14,5	7,5	7,0	14,1
R3566.R010	15	6,5	14	10,50	17	13,5	8,0	10,4	20,1
R3566.R011	15	6,5	14	10,50	17	13,5	8,0	10,4	20,1
R3566.R012	16	6,5	16	12,00	19	13,0	8,0	12,4	24,5
R3566.R013	16	6,5	16	12,00	19	13,0	8,0	12,4	24,5
R3566.R014	20	8,0	19	13,50	22	16,0	9,5	15,4	30,4
R3566.R016	22	8,0	21	15,00	22	15,5	8,5	22,4	43,7
R3566.R017	22	8,0	21	15,00	22	15,5	8,5	22,4	43,7
R3566.R018	24	10,0	23	16,50	27	15,0	9,5	26,3	51,2
R3566.R020	26	10,0	25	18,00	30	14,5	9,0	30,8	60,3
R3566.R022	26	12,0	28	20,00	32	15,5	10,0	38,2	70,0
R3566.R025	30	12,0	31	22,00	36	15,0	10,0	45,4	87,0
R3566.R030	35	15,0	37	25,00	41	17,0	10,5	55,0	106,8
R3566.R031	35	15,0	37	25,0	41	17,0	10,5	55,0	106,8
R3566.L004	10	4,0	8	6,00	9	13,0	7,5	3,9	7,9
R3566.L005	10	4,0	8	6,00	9	13,0	7,5	3,9	7,9
R3566.L006	12	5,0	9	6,75	11	13,0	6,5	4,6	9,4
R3566.L008	12	5,0	12	9,00	14	14,5	7,5	7,0	14,1
R3566.L010	15	6,5	14	10,50	17	13,5	8,0	10,4	20,1
R3566.L011	15	6,5	14	10,50	17	13,5	8,0	10,4	20,1
R3566.L012	16	6,5	16	12,00	19	13,0	8,0	12,4	24,5
R3566.L013	16	6,5	16	12,00	19	13,0	8,0	12,4	24,5
R3566.L014	20	8,0	19	13,50	22	16,0	9,5	15,4	30,4
R3566.L016	22	8,0	21	15,00	22	15,5	8,5	22,4	43,7
R3566.L017	22	8,0	21	15,00	22	15,5	8,5	22,4	43,7
R3566.L018	24	10,0	23	16,50	27	15,0	9,5	26,3	51,2
R3566.L020	26	10,0	25	18,00	30	14,5	9,0	30,8	60,3
R3566.L022	26	12,0	28	20,00	32	15,5	10,0	38,2	70,0
R3566.L025	30	12,0	31	22,00	36	15,0	10,0	45,4	87,0
R3566.L030	35	15,0	37	25,00	41	17,0	10,5	55,0	106,8
R3566.L031	35	15,0	37	25,00	41	17,0	10,5	55,0	106,8