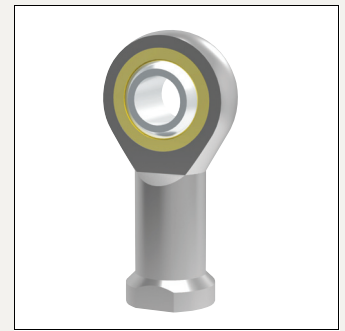
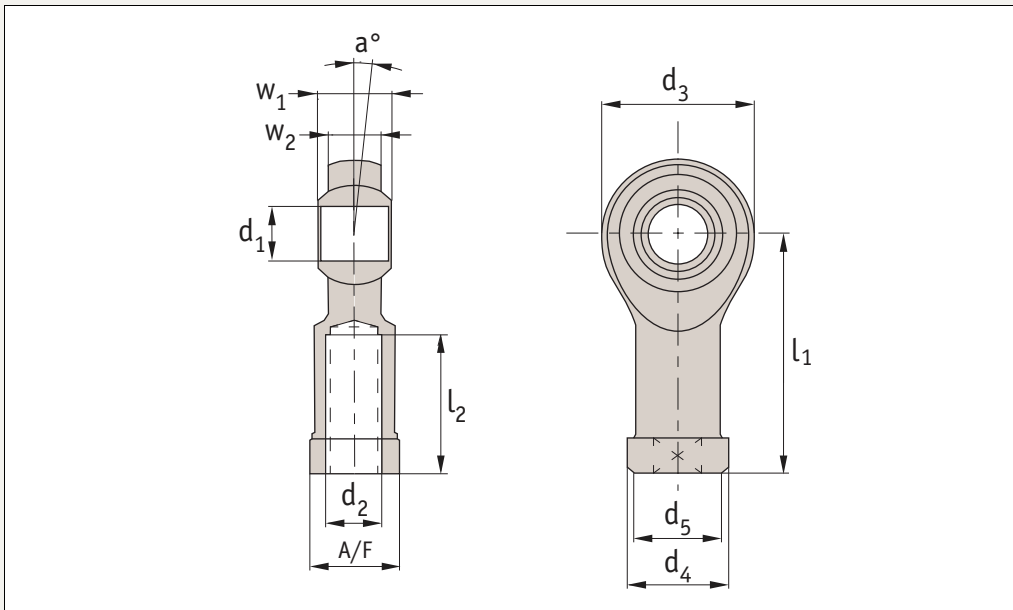


Low Cost Rod End - Female

with teflon bearing race



R3570

Material

Ball: low carbon steel, surface hardened. Silver zinc plated.
Housing: low carbon steel, zinc plated for corrosion resistance.

Brass bearing with PTFE composite lining.

Technical Notes

Standard thread is right hand thread.

Important Notes

Housing styles are subject to change.

Order No.	Thread (hand)	d_1 H7	l_1	d_2	d_3	d_4	d_5	l_2	w_1	w_2	A/F	a°	Max.static load C_0 kN
R3570.R005	Right	5	27	M5	18	11	9	10	8	6	9	13	4,8
R3570.R006	Right	6	30	M6	20	13	10	12	9	6,75	11	13	6,2
R3570.R008	Right	8	36	M8	24	16	12,5	16	12	9	13	14	10,3
R3570.R010	Right	10	43	M10	28	19	15	20	14	10,5	17	13	14,4
R3570.R012	Right	12	50	M12	34	22	17,5	22	16	12	19	13	19,2
R3570.R016	Right	16	64	M16	42	27	22	28	21	15	22	15	31,2
R3570.L005	Left	5	27	M5	18	11	9	10	8	6	9	13	4,8
R3570.L006	Left	6	30	M6	20	13	10	12	9	6,75	11	13	6,2
R3570.L008	Left	8	36	M8	24	16	12,5	16	12	9	13	14	10,3
R3570.L010	Left	10	43	M10	28	19	15	20	14	10,5	17	13	14,4
R3570.L012	Left	12	50	M12	34	22	17,5	22	16	12	19	13	19,2
R3570.L016	Left	16	64	M16	42	27	22	28	21	15	22	15	31,2