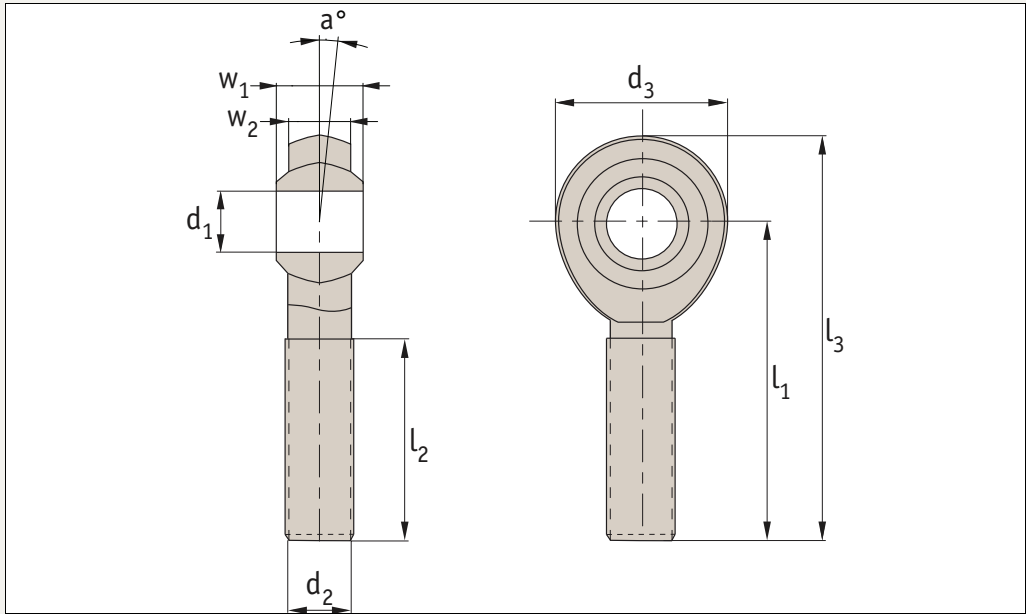


R3571



Material

Ball: low carbon steel, surface hardened. Silver zinc plated.
Housing: low carbon steel, zinc plated

for corrosion resistance.
Brass bearing with PTFE composite lining.

Technical Notes

Standard thread is right hand thread.

Order No.	Thread (hand)	d_1 H7	l_1	d_2	d_3	l_2	l_3	w_1	w_2	a°	Max.static load C_0 kN
R3571.R005	Right	5	33	M5	18	19	42	8	6,00	13	4,8
R3571.R006	Right	6	36	M6	20	21	46	9	6,75	13	6,2
R3571.R008	Right	8	42	M8	24	25	54	12	9,00	14	10,3
R3571.R010	Right	10	48	M10	28	28	62	14	10,50	13	14,4
R3571.R012	Right	12	54	M12	32	32	70	16	12,00	13	19,2
R3571.R016	Right	16	66	M16	42	37	87	21	15,00	15	31,2
R3571.L005	Left	5	33	M5	18	19	42	8	6,00	13	3,9
R3571.L006	Left	6	36	M6	20	21	46	9	6,75	13	6,0
R3571.L008	Left	8	42	M8	24	25	54	12	9,00	14	10,0
R3571.L010	Left	10	48	M10	28	28	62	14	10,50	13	16,0
R3571.L012	Left	12	54	M12	32	32	70	16	12,00	13	23,0
R3571.L016	Left	16	66	M16	42	37	87	21	15,00	15	44,0