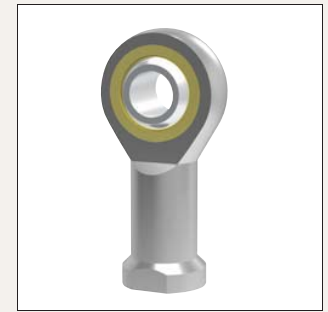
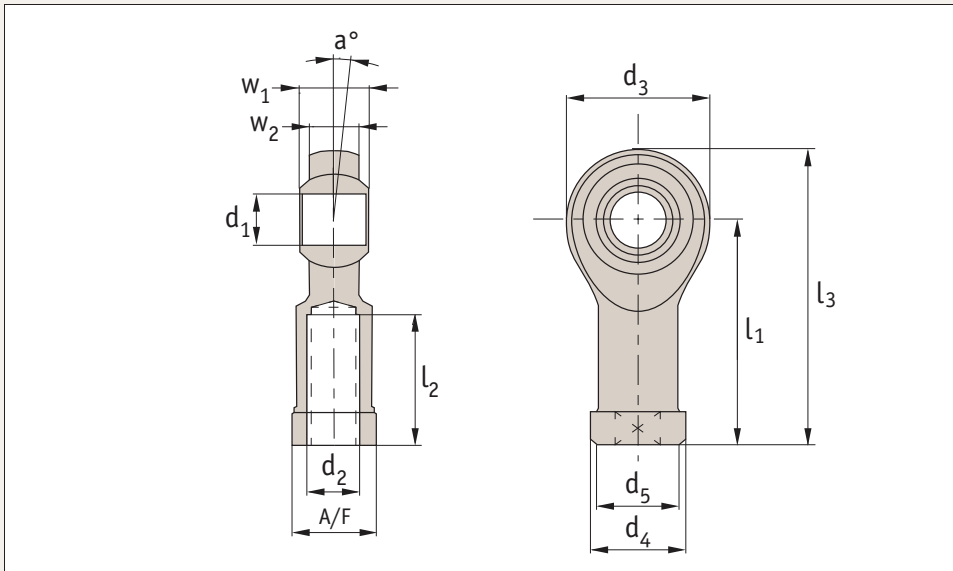


# Low Cost Rod End - Female

with teflon bearing race

Rod Ends



**R3572.F**

**Material**

Ball: low carbon steel, surface hardened. Silver zinc plated.  
Housing: low carbon steel, zinc plated

for corrosion resistance.

**Technical Notes**

Standard thread is right hand thread.

**Important Notes**

Housing styles are subject to change.

Order No.	Thread (hand)	d <sub>1</sub> H7	l <sub>1</sub>	d <sub>2</sub>	d <sub>3</sub>	d <sub>4</sub>	d <sub>5</sub>	l <sub>2</sub>	l <sub>3</sub>	w <sub>1</sub>	w <sub>2</sub>	a°	A/F	Max.static load C <sub>0</sub> kN
R3572.FL005	Left	5	27	M 5	16	11	8,5	10	35	8	6,0	13	9	4,6
R3572.FL006	Left	6	30	M 6	18	13	10,0	12	39	9	6,75	13	11	5,8
R3572.FL008	Left	8	36	M 8	22	16	12,5	16	47	12	9,0	14	14	9,3
R3572.FL010	Left	10	43	M10	26	19	15,0	20	56	14	10,5	13	17	11,6
R3572.FL012	Left	12	50	M12	30	22	17,5	22	65	16	12,0	13	19	13,6
R3572.FL013	Left	12	50	M12x1,25	30	22	17,5	22	65	16	12,0	13	19	13,6
R3572.FL014	Left	14	57	M14	34	25	20,0	25	74	19	13,5	16	22	19,2
R3572.FL016	Left	16	64	M16	40	27	22,0	28	84	21	15,0	15	24	22,8
R3572.FL017	Left	16	64	M16x1,5	40	27	22,0	28	84	21	15,0	15	24	22,8
R3572.FL018	Left	18	71	M18x1,5	44	31	25,0	32	93	23	16,5	15	27	34,0
R3572.FL020	Left	20	77	M20x1,5	50	34	27,5	33	102	25	18,0	14	30	42,0
R3572.FL022	Left	22	84	M22x1,5	54	38	30,0	37	111	28	20,0	15	32	45,6
R3572.FL025	Left	25	94	M24x2	60	42	33,5	42	124	31	22,0	15	36	54,4
R3572.FL030	Left	30	110	M30x2	70	50	40,0	51	145	37	25,0	17	41	70,4