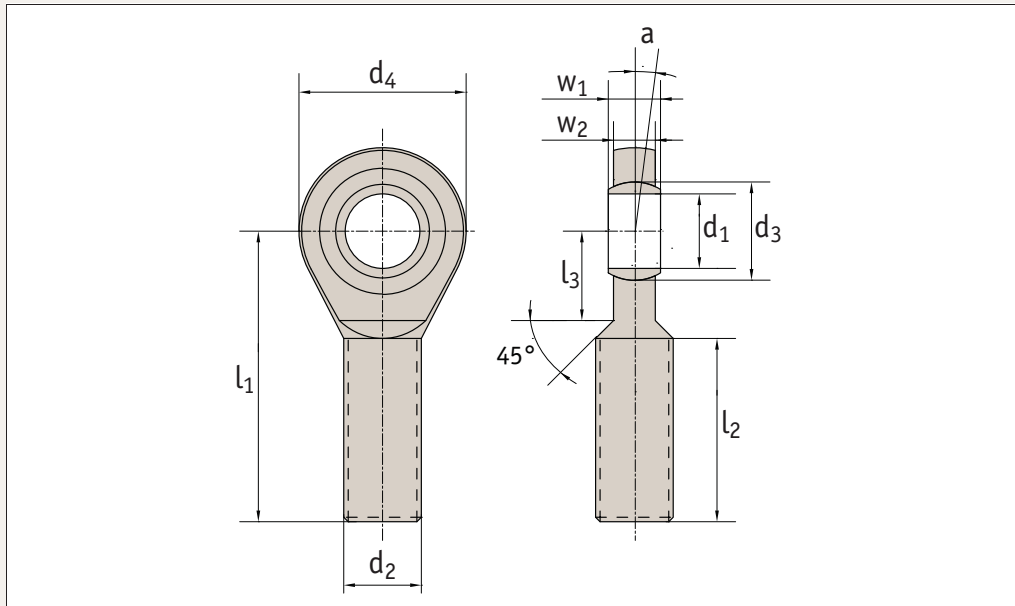


Low Cost Rod End - Male

with integral spherical plain bearing

Rod Ends



R3573

Material

Housing: Heat treated steel, surface galvanized, free of Cr VI. Outer ring: heat treated steel, hardened, single split, bonded with PTFE fabric. Joint Ball: Ball bearing steel, hardened, ground, polished up to size 12, hard

chromium plated.

Technical Notes

For tolerances see technical page 123. Standard thread is right hand thread.

Series E,
Maintenance free

Important Notes

*Denotes fine pitch thread.

Order No.	Thread (hand)	Thread	l_1	d_2	d_3	d_4	l_2	l_3	w_1	w_2	a°	Max.static load C_0 kN	$\Delta \pm g$
R3573.R006	Right	6	36	M6	10	21	18	12	6	4,4	13	6,6	17
R3573.R008	Right	8	42	M8	13	24	22	14	8	6	15	10,3	29
R3573.R010	Right	10	48	M10	16	29	26	15	9	7	12	14,1	51
R3573.R012	Right	12	54	M12	18	34	28	18	10	8	11	19,6	86
R3573.R015	Right	15	63	M14	22	40	34	20	12	10	8	28,8	140
R3573.R017	Right	17	69	M16	25	46	36	23	14	11	10	36,0	190
R3573.R020	Right	20	78	M20x1,5*	29	53	43	27	16	13	9	48,0	310
R3573.R025	Right	25	94	M24x2*	35,5	64	53	32	20	17	7	66,4	560
R3573.R030	Right	30	110	M30x2*	40,7	73	65	37	22	19	6	88	890
R3573.R035	Right	35	140	M36x3*	47	82	82	42	25	21	6	116,8	1400
R3573.R040	Right	40	150	M39x3*	53	92	86	48	28	23	7	144	1800
R3573.R041	Right	40	150	M42x3*	53	92	86	48	28	23	7	144	1850
R3573.R045	Right	45	163	M42x3*	60	102	94	52	32	27	7	192	2600
R3573.R046	Right	45	163	M45x3*	60	102	94	52	32	27	7	192	2660
R3573.R050	Right	50	185	M45x3*	66	112	107	60	35	30	6	232	3400
R3573.R051	Right	50	185	M52x3*	66	112	107	60	35	30	6	232	3500
R3573.R060	Right	60	210	M52x3*	80	135	115	75	44	38	6	360	5900
R3573.R061	Right	60	210	M60x4*	80	135	115	75	44	38	6	360	6020
R3573.R070	Right	70	235	M56x4*	92	160	125	87	49	42	6	488	8200
R3573.R071	Right	70	235	M72x4*	92	160	125	87	49	42	6	488	8380
R3573.R080	Right	80	270	M64x4*	105	180	140	100	55	47	6	600	12000
R3573.R081	Right	80	270	M80x4*	105	180	140	100	55	47	6	600	12200
R3573.L006	Left	6	36	M6	10	21	18	12	6	4,4	13	6,6	17
R3573.L008	Left	8	42	M8	13	24	22	14	8	6	15	10,3	29
R3573.L010	Left	10	48	M10	16	29	26	15	9	7	12	14,1	51

Order No.	Thread (hand)	Thread	l ₁	d ₂	d ₃	d ₄	l ₂	l ₃	w ₁	w ₂	a°	Max. static load C ₀ kN	$\frac{\Delta^+ \Delta^-}{g}$
R3573.L012	Left	12	54	M12	18	34	28	18	10	8	11	19,6	86
R3573.L015	Left	15	63	M14	22	40	34	20	12	10	8	28,8	140
R3573.L017	Left	17	69	M16	25	46	36	23	14	11	10	36,0	190
R3573.L020	Left	20	78	M20x1,5*	29	53	43	27	16	13	9	48,0	310
R3573.L025	Left	25	94	M24x2*	35,5	64	53	32	20	17	7	66,4	560
R3573.L030	Left	30	110	M30x2*	40,7	73	65	37	22	19	6	88	890
R3573.L035	Left	35	140	M36x3*	47	82	82	42	25	21	6	116,8	1400
R3573.L040	Left	40	150	M39x3*	53	92	86	48	28	23	7	144	1800
R3573.L041	Left	40	150	M42x3*	53	92	86	48	28	23	7	144	1850
R3573.L045	Left	45	163	M42x3*	60	102	94	52	32	27	7	192	2600
R3573.L046	Left	45	163	M45x3*	60	102	94	52	32	27	7	192	2660
R3573.L050	Left	50	185	M45x3*	66	112	107	60	35	30	6	232	3400
R3573.L051	Left	50	185	M52x3*	66	112	107	60	35	30	6	232	3500
R3573.L060	Left	60	210	M52x3*	80	135	115	75	44	38	6	360	5900
R3573.L061	Left	60	210	M60x4*	80	135	115	75	44	38	6	360	6020
R3573.L070	Left	70	235	M56x4*	92	160	125	87	49	42	6	488	8200
R3573.L071	Left	70	235	M72x4*	92	160	125	87	49	42	6	488	8380
R3573.L080	Left	80	270	M64x4*	105	180	140	100	55	47	6	600	12000
R3573.L081	Left	80	270	M80x4*	105	180	140	100	55	47	6	600	12200