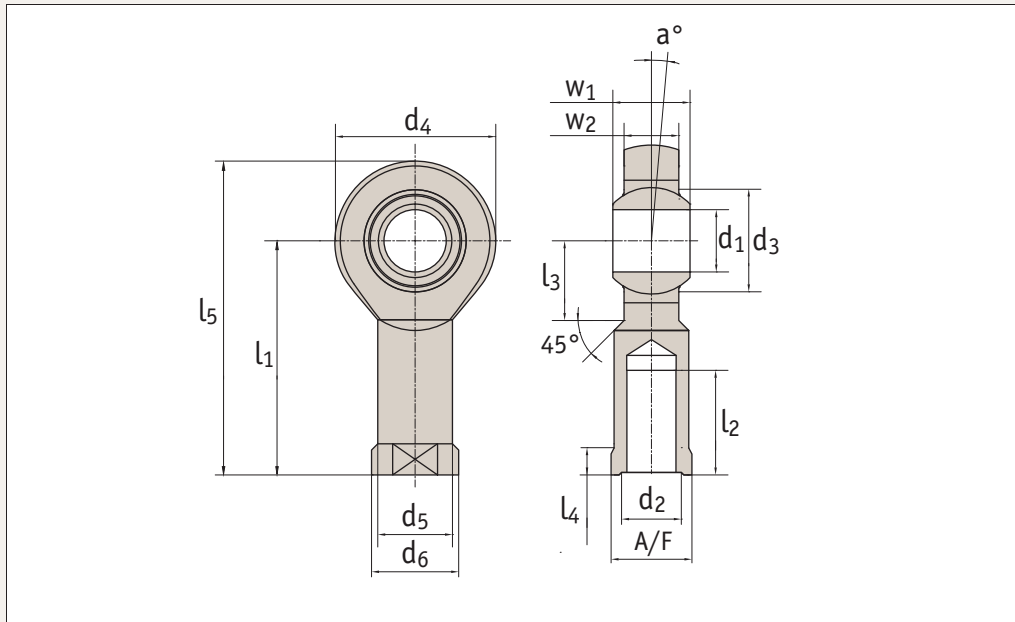


Low Cost Rod End - Female

with integral spherical plain bearings

Rod Ends



R3574

Material

Housing: Heat treated steel, surface galvanized, free of Cr VI. Outer ring: heat treated steel, hardened, single split, bonded with PTFE fabric. Joint Ball: Ball bearing steel, hardened, ground, polished up to size 12, hard

chromium plated.

Technical Notes

Standard thread is right hand thread. Series E, Maintenance free

Tips

For tolerances see technical page 123

Important Notes

*Denotes fine pitch thread.

Order No.	Thread (hand)	d_1 K_6	l_1	d_2	d_3	d_4	d_5	d_6	$\frac{\Delta}{g}$
R3574.R006	Right	6	30	M6	10	21	10,0	13	21
R3574.R008	Right	8	36	M8	13	24	12,5	16	39
R3574.R010	Right	10	43	M10	16	29	15	19	61
R3574.R012	Right	12	50	M12	18	34	17,5	22	96
R3574.R015	Right	15	61	M14	22	40	21	26	180
R3574.R017	Right	17	67	M16	25	46	24	30	220
R3574.R020	Right	20	77	M20x1,5*	29	53	27,5	35	350
R3574.R025	Right	25	94	M24x2*	35,5	64	33,5	42	640
R3574.R030	Right	30	110	M30x2*	40,7	73	40	50	930
R3574.R035	Right	35	125	M36x3*	47	82	47	58	1300
R3574.R040	Right	40	142	M39x3*	53	92	52	65	2000
R3574.R041	Right	40	142	M42x3*	53	92	52	65	1960
R3574.R045	Right	45	145	M42x3*	60	102	58	70	2500
R3574.R046	Right	45	145	M45x3*	60	102	58	70	2440
R3574.R050	Right	50	160	M45x3*	66	112	62	75	3500
R3574.R051	Right	50	160	M52x3*	66	112	62	75	3400
R3574.R060	Right	60	175	M52x3*	80	135	70	88	5500
R3574.R061	Right	60	175	M60x4*	80	135	70	88	5380
R3574.R070	Right	70	200	M56x4*	92	160	80	98	8600
R3574.R071	Right	70	200	M72x4*	92	160	80	98	8420
R3574.R080	Right	80	230	M64x4*	105	180	95	110	12000
R3574.R081	Right	80	230	M80x4*	110	180	95	110	11800
R3574.L006	Left	6	30	M6	10	21	10,0	13	21
R3574.L008	Left	8	36	M8	13	24	12,5	16	39

info@springfixlinkages.com 01483 266 784

SPRINGFIX®
LINKAGES

Springfix Linkages is a division of Automotion Components Ltd

Order No.	Thread (hand)	d ₁ K6	l ₁	d ₂	d ₃	d ₄	d ₅	d ₆	$\frac{G}{g}$ g
R3574.L010	Left	10	43	M10	16	29	15	19	61
R3574.L012	Left	12	50	M12	18	34	17,5	22	96
R3574.L015	Left	15	61	M14	22	40	21	26	180
R3574.L017	Left	17	67	M16	25	46	24	30	220
R3574.L020	Left	20	77	M20x1,5*	29	53	27,5	35	350
R3574.L025	Left	25	94	M24x2*	35,5	64	33,5	42	640
R3574.L030	Left	30	110	M30x2*	40,7	73	40	50	930
R3574.L035	Left	35	125	M36x3*	47	82	47	58	1300
R3574.L040	Left	40	142	M39x3*	53	92	52	65	2000
R3574.L041	Left	40	142	M42x3*	53	92	52	65	1960
R3574.L045	Left	45	145	M42x3*	60	102	58	70	2500
R3574.L046	Left	45	145	M45x3*	60	102	58	70	2440
R3574.L050	Left	50	160	M45x3*	66	112	62	75	3500
R3574.L051	Left	50	160	M52x3*	66	112	62	75	3400
R3574.L060	Left	60	175	M52x3*	80	135	70	88	5500
R3574.L061	Left	60	175	M60x4*	80	135	70	88	5380
R3574.L070	Left	70	200	M56x4*	92	160	80	98	8600
R3574.L071	Left	70	200	M72x4*	92	160	80	98	8420
R3574.L080	Left	80	230	M64x4*	105	180	95	110	12000
R3574.L081	Left	80	230	M80x4*	110	180	95	110	11800

Order No.	l ₂	l ₃	l ₄	l ₅	w ₁	w ₂	A/F	a°	Max. static load C ₀ kN
R3574.R006	11	12	5	40,5	6	4,4	11	13	6,6
R3574.R008	15	14	5	48	8	6	14	15	10,3
R3574.R010	20	15	6,5	57,5	9	7	17	12	14,1
R3574.R012	23	18	6,5	67	10	8	19	11	19,6
R3574.R015	30	20	8	81	12	10	22	8	28,8
R3574.R017	34	23	10	90	14	11	27	10	36,0
R3574.R020	40	27	10	103,5	16	13	32	9	48,0
R3574.R025	48	32	12	126	20	17	36	7	66,4
R3574.R030	56	37	15	146,5	22	19	41	6	88,0
R3574.R035	60	42	15	166	25	21	50	6	117
R3574.R040	65	48	18	188	28	23	55	7	144
R3574.R041	65	48	18	188	28	23	55	7	144
R3574.R045	65	52	20	196	32	27	60	7	192
R3574.R046	65	52	50	196	32	27	60	7	192
R3574.R050	68	60	20	216	35	30	65	6	232
R3574.R051	68	60	20	216	35	30	65	6	232
R3574.R060	70	75	20	242,5	44	38	75	6	360
R3574.R061	70	75	20	242,5	44	38	75	6	360
R3574.R070	80	87	20	280	49	42	85	6	488
R3574.R071	80	87	20	280	49	42	85	6	488
R3574.R080	85	100	24	320	55	47	100	6	600
R3574.R081	85	100	25	320	55	47	100	6	600
R3574.L006	11	12	5	40,5	6	4,4	11	13	6,6
R3574.L008	15	14	5	48	8	6	14	15	10,3
R3574.L010	20	15	6,5	57,5	9	7	17	12	14,1
R3574.L012	23	18	6,5	67	10	8	19	11	19,6
R3574.L015	30	20	8	81	12	10	22	8	28,8
R3574.L017	34	23	10	90	14	11	27	10	36,0
R3574.L020	40	27	10	103,5	16	13	32	9	48,0
R3574.L025	48	32	12	126	20	17	36	7	66,4
R3574.L030	56	37	15	146,5	22	19	41	6	88,0
R3574.L035	60	42	15	166	25	21	50	6	117
R3574.L040	65	48	18	188	28	23	55	7	144
R3574.L041	65	48	18	188	28	23	55	7	144
R3574.L045	65	52	20	196	32	27	60	7	192

Low Cost Rod End - Female

with integral spherical plain bearings

Rod Ends

Order No.	l_2	l_3	l_4	l_5	w_1	w_2	A/F	a°	Max. static load C_0 kN
R3574.L046	65	52	50	196	32	27	60	7	192
R3574.L050	68	60	20	216	35	30	65	6	232
R3574.L051	68	60	20	216	35	30	65	6	232
R3574.L060	70	75	20	242,5	44	38	75	6	360
R3574.L061	70	75	20	242,5	44	38	75	6	360
R3574.L070	80	87	20	280	49	42	85	6	488
R3574.L071	80	87	20	280	49	42	85	6	488
R3574.L080	85	100	24	320	55	47	100	6	600
R3574.L081	85	100	25	320	55	47	100	6	600