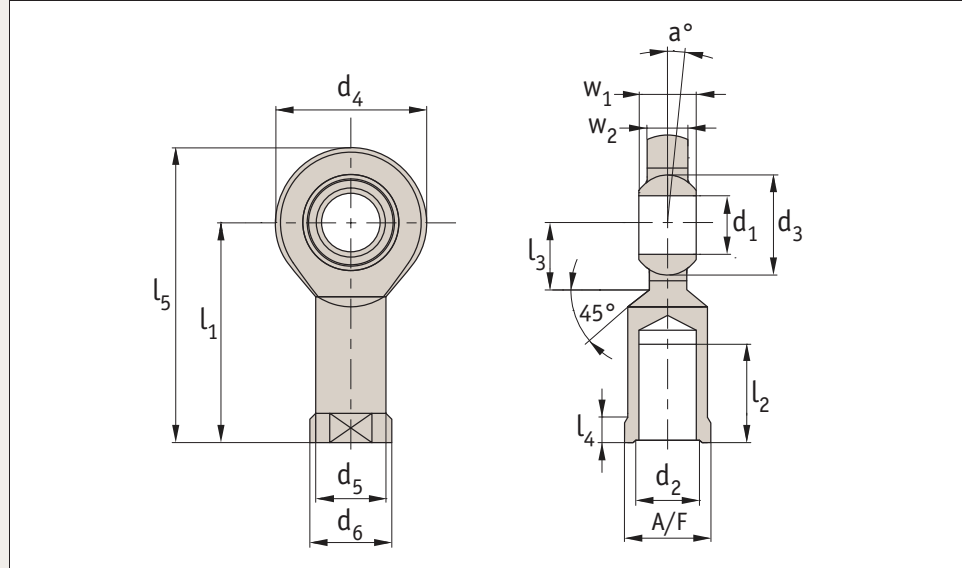


Low Cost Rod End - Female

with integral spherical plain bearing



R3575.F



Material

Housing: Heat treated steel, surface galvanized, free of Cr VI. Outer ring: heat treated steel, hardened, single split, bonded with PTFE fabric.

Joint Ball: Ball bearing steel, hardened,

ground, polished up to size 12, hard chromium plated.

Technical Notes

For tolerances see technical page 123, maintenance required.

Tips

Standard thread is right hand thread.

Important Notes

*Denotes fine pitch thread.

Order No.	Type	Thread (hand)	Thread	l_1	d_2	d_3	d_4	l_2	l_3	w_1	w_2	a°	Max.static load C_0 kN	$\frac{\delta}{g}$
R3575.FL006	Female	Left	6	36	M 6	10	21	18	12	6	4,4	13	6,6	17
R3575.FL008	Female	Left	8	42	M 8	13	24	22	14	8	6	15	10,3	29
R3575.FL010	Female	Left	10	48	M10	16	29	26	15	9	7	12	14,1	51
R3575.FL012	Female	Left	12	54	M12	18	34	28	18	10	8	11	19,6	86
R3575.FL015	Female	Left	15	63	M14	22	40	34	20	12	10	8	28,8	140
R3575.FL017	Female	Left	17	69	M16	25	46	36	23	14	11	10	36,0	190
R3575.FL020	Female	Left	20	78	M20x1,5*	29	53	43	27	16	13	9	48,0	310
R3575.FL025	Female	Left	25	94	M24x2*	35,5	64	53	32	20	17	7	66,4	560
R3575.FL030	Female	Left	30	110	M30x2*	40,7	73	65	37	22	19	6	88,0	890
R3575.FL035	Female	Left	35	140	M36x3*	47	82	82	42	25	21	6	116,8	1400
R3575.FL040	Female	Left	40	150	M39x3*	53	92	86	48	28	23	7	144	1800
R3575.FL041	Female	Left	40	150	M42x3*	53	92	86	48	28	23	7	144	1850
R3575.FL045	Female	Left	45	163	M43x3*	60	102	94	52	32	27	7	192	2600
R3575.FL046	Female	Left	45	163	M45x3*	60	102	94	52	32	27	7	192	2660
R3575.FL050	Female	Left	50	185	M45x3*	66	112	107	60	35	30	6	232	3400
R3575.FL051	Female	Left	50	185	M52x3*	66	112	107	60	35	30	6	232	3500
R3575.FL060	Female	Left	60	210	M52x3*	80	135	115	75	44	38	6	360	5900
R3575.FL061	Female	Left	60	210	M60x4*	80	135	115	75	44	38	6	360	6020
R3575.FL070	Female	Left	70	235	M56x4*	92	160	125	87	49	42	6	488	8200
R3575.FL071	Female	Left	70	235	M72x4*	92	160	125	87	49	42	6	488	8380
R3575.FL080	Female	Left	80	270	M64x4*	105	180	140	100	55	47	6	600	12000
R3575.FL081	Female	Left	80	270	M80x4*	105	180	140	100	55	47	6	600	12200