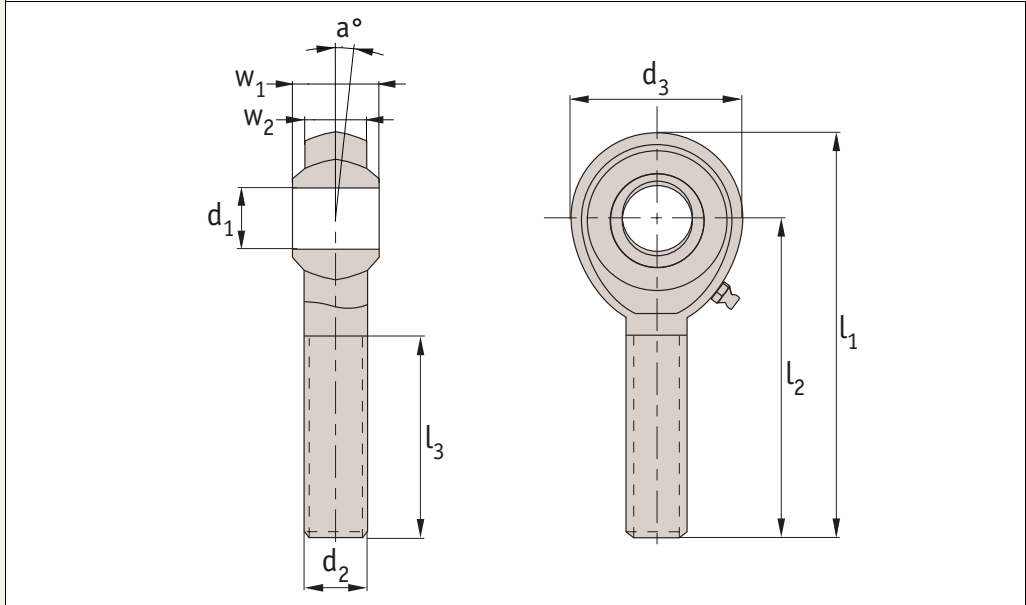


R3577



Material

Housing: stainless steel (AISI 303)
 Ball: stainless steel, hardened, ground and polished.

Race: teflon or PTFE liner.

Stainless steel bearing ring lined with bronze and PTFE Composite

Technical Notes

Standard thread is right hand thread.

Order No.	Thread (hand)	d ₁ H7	d ₂	l ₁	l ₂	l ₃	d ₃	w ₁	w ₂	a°	Max. static load kN
R3577.R005	Right	5	M5	42	33	19	18	8	6	13	4,8
R3577.R006	Right	6	M6	46	36	21	20	9	6,75	13	6,2
R3577.R008	Right	8	M8	54	42	25	24	12	9	14	10,3
R3577.R010	Right	10	M10	62	48	28	28	14	10,50	13	14,4
R3577.R012	Right	12	M12	70	54	32	32	16	12	13	19,2
R3577.R016	Right	16	M16	87	66	37	42	21	15	15	31,2
R3577.L005	Left	5	M5	42	33	19	18	8	6	13	4,8
R3577.L006	Left	6	M6	46	36	21	20	9	6,75	13	5,2
R3577.L008	Left	8	M8	54	42	25	24	12	9	14	7,0
R3577.L010	Left	10	M10	62	48	28	28	14	10,50	13	10,4
R3577.L012	Left	12	M12	70	54	32	32	16	12	13	13,0
R3577.L016	Left	16	M16	87	66	37	42	21	15	15	31,2