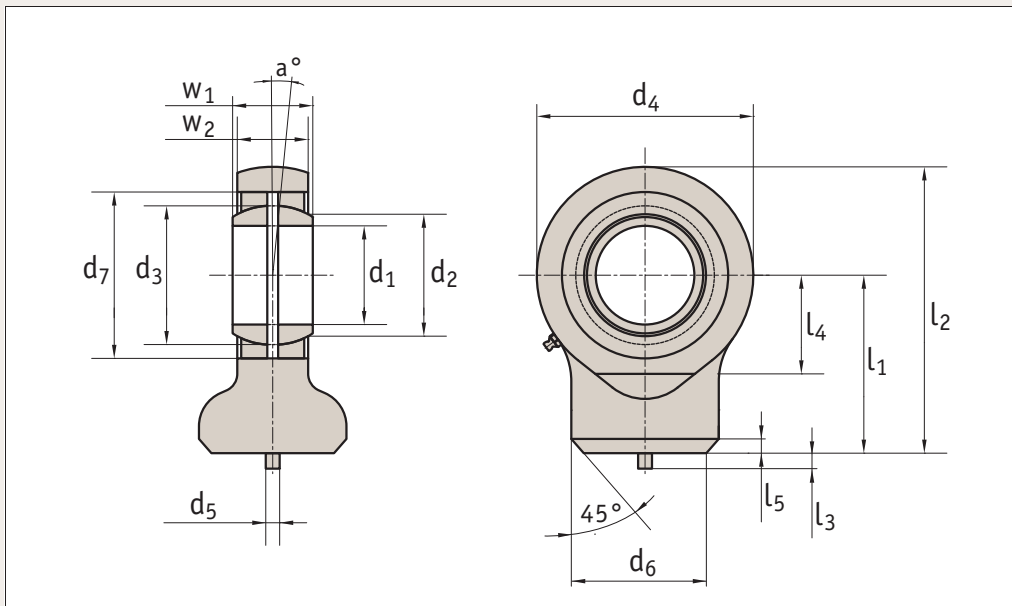




R3620



Material

Housing: forged steel (st 52-3).
Steel on steel bearing requiring lubrication.
Spherical plain bearing.

Technical Notes

Sizes up to 12 not regreasable.
Rod ends series E to DIN ISO 12240-4.

Tips

For weld-on piston rod ends.

Order No.	d ₁	d ₂	l ₁	d ₃	d ₄	d ₅	d ₆	d ₇	△ g
R3620.010	10	13,2	24	16	29	3	15	19	41
R3620.012	12	15	27	18	34	3	17,5	22	66
R3620.015	15	18,4	31	22	40	4	21	26	120
R3620.017	17	20,7	35	25	46	4	24	30	190
R3620.020	20	24,2	38	29	53	4	27,5	35	230
R3620.025	25	29,3	45	35,5	64	4	35,5	42	430
R3620.030	30	34,2	51	40,7	73	4	40	47	640
R3620.035	35	39,8	61	47	82	4	47	55	960
R3620.040	40	45,0	69	53	92	4	52	62	1300
R3620.045	45	50,8	77	60	102	6	58	68	1800
R3620.050	50	55,9	88	66	112	6	62	75	2500
R3620.060	60	66,8	100	80	135	6	70	90	3900
R3620.070	70	77,9	115	92	160	6	80	105	6600
R3620.080	80	89,4	141	105	180	6	95	120	8700

Order No.	l ₂	l ₃	l ₄	l ₅	w ₁	w ₂	a°	Max. dynamic load C ₀ kN	Max. static load C ₀ kN
R3620.010	38,5	6	15,0	2	9	7	12	8,15	12,48
R3620.012	44	6	18,0	2	10	8	11	10,80	17,28
R3620.015	51	6	20,0	2,5	12	10	8	17,00	25,60
R3620.017	58	6	23,0	3	14	11	10	21,20	32,00
R3620.020	64,5	6	27,5	3	16	13	9	30,00	43,20
R3620.025	77	6	33	4	20	17	7	48,00	57,60
R3620.030	87,5	6	37,5	4	22	19	6	62,00	76,00
R3620.035	102	6	43	4	25	21	6	80,00	100,00
R3620.040	115	6	48	5	28	23	7	100,00	124,80

Hydraulic Rod Ends

weld-on base

Rod Ends

Order No.	l_2	l_3	l_4	l_5	w_1	w_2	a°	Max. dynamic load C_0 kN	Max. static load C_0 kN
R3620.045	128	6	52,0	5	32	27	7	127,00	166,40
R3620.050	144	6	59,0	6	35	30	6	156,00	200,00
R3620.060	167,5	6	72,5	8	44	38	6	245,00	312,00
R3620.070	195	6	86	10	49	42	6	315,00	408,00
R3620.080	231	6	98	10	55	47	6	400,00	496,00