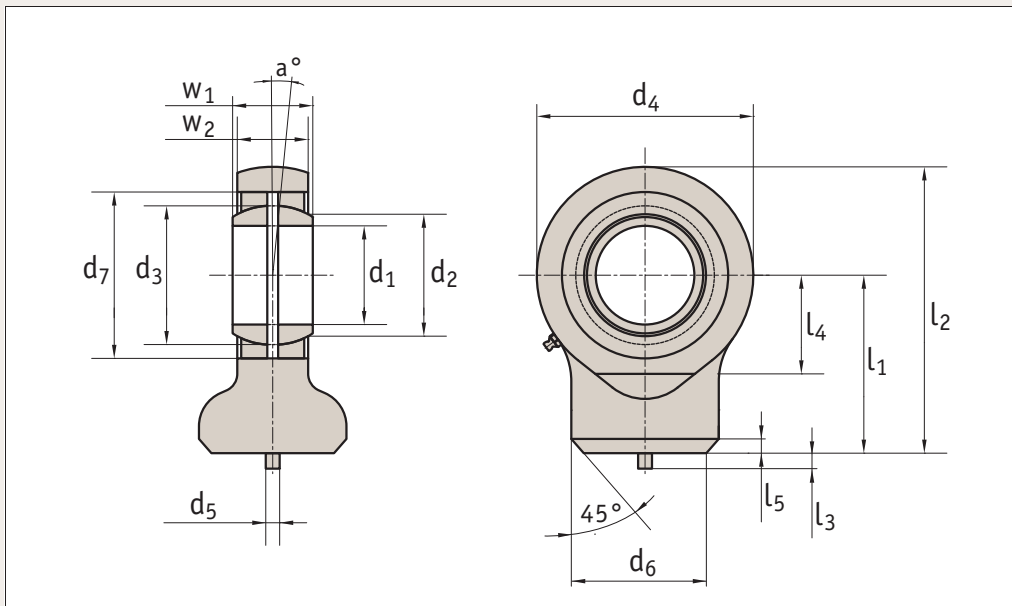




R3621



Material

Housing: stainless steel (AISI 316).
 Bearing stainless steel (AISI 420C) and
 PTFE fabric.

Order No.	d ₁ M7	d ₂	l ₁	d ₃	d ₄	d ₅	d ₆	d ₇	⚖ g
R3621.020	20	24,1	38	29	53	4	27,5	35	250
R3621.025	25	29,3	45	35,5	64	4	33,5	42	450
R3621.030	30	34,2	51	40,7	73	4	40	47	675
R3621.035	35	39,7	61	47	82	4	47	55	950
R3621.040	40	45,0	69	53	92	4	52	62	1400
R3621.045	45	50,7	77	60	102	6	58	68	1910
R3621.050	50	56,0	88	66	112	6	62	75	2650

Order No.	l ₂	l ₃	l ₄	l ₅	w ₁	w ₂	a°	Max. dynamic load C ₀ kN	Max. static load C ₀ kN
R3621.020	64,5	6	27,5	3	16	13	9	30,00	54,00
R3621.025	77	6	33	4	20	17	7	48,00	72,00
R3621.030	87,5	6	37,5	4	22	19	6	62,00	95,00
R3621.035	102	6	43	4	25	21	6	80,00	125,00
R3621.040	115	6	48	5	28	23	7	100,00	156,00
R3621.045	128	6	52,0	5	32	27	7	127,00	208,00
R3621.050	144	6	59,0	6	35	30	6	156,00	250,00