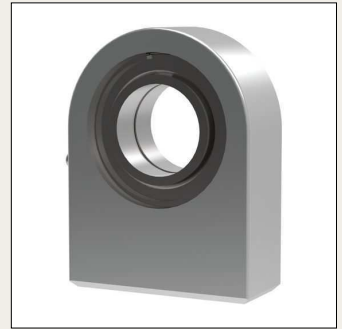
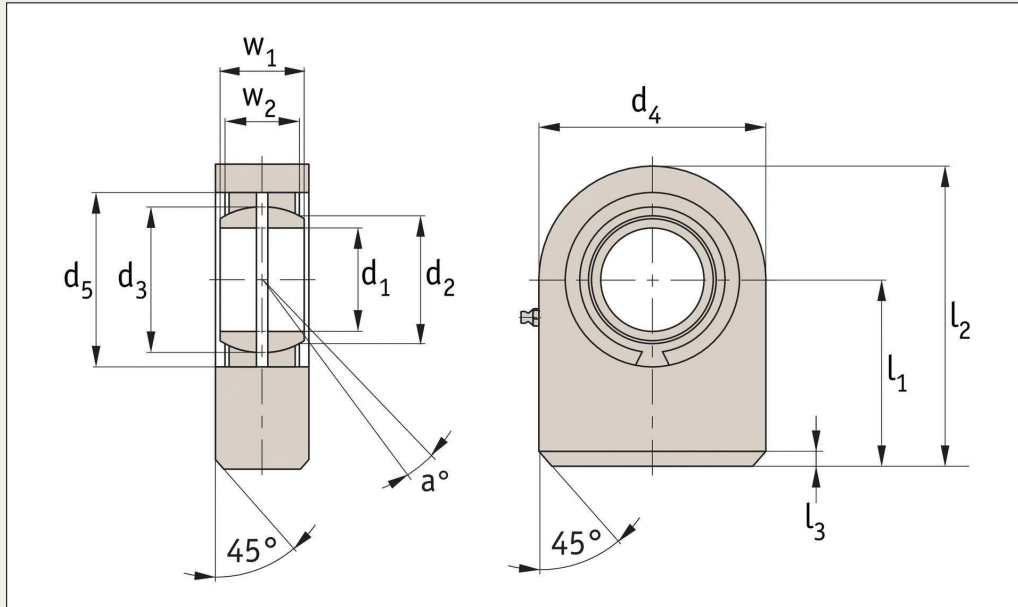


Hydraulic Rod Ends

weld-on base

Rod ends



R3622

Material

Housing: forged steel (st 52-3), steel on steel bearing requiring lubrication, spherical plain bearing.

Technical notes

Fitted with hydraulic grease nipple to DIN 71412

Tips

Rod ends with rectangular surface for weld-on, spherical plain bearings fixed with snap rings.

Order No.	d_1 M7	l_1	d_2	d_3	d_4	d_5	δ_{\pm} g
R3622.020	20	38	24,1	29,0	50	35	350
R3622.025	25	45	29,3	35,5	55	42	530
R3622.030	30	51	34,2	40,7	65	47	870
R3622.035	35	61	39,7	47,0	83	55	1500
R3622.040	40	69	45	53,0	100	62	2400
R3622.045	45	77	50,7	60,0	110	68	3400
R3622.050	50	88	56	66,0	123	75	4400
R3622.060	60	100	66,8	80,0	140	90	7100
R3622.070	70	115	77,8	92,0	164	105	10500
R3622.080	80	141	89,4	105	180	120	15000
R3622.090	90	150	98,1	115	226	130	23500
R3622.100	100	170	109,5	130	250	150	31500
R3622.110	110	185	121,2	140	295	160	48500
R3622.120	120	210	135,5	160	360	180	79000

Order No.	l_2	l_3	w_1	w_2	a°	Max.dynamic load C kN	Max. static load C_0 kN
R3622.020	63,0	2	19	16	9	30,00	67,00
R3622.025	72,5	2	23	20	7	48,00	69,50
R3622.030	83,5	2	28	22	6	62,00	118,00
R3622.035	102,5	2	30	25	6	80,00	196,00
R3622.040	119	3	35	28	7	100,00	300,00
R3622.045	132	3	40	32	7	127,00	380,00
R3622.050	149,5	3	40	35	6	156,00	440,00
R3622.060	170	4	50	44	6	245,00	570,00
R3622.070	197	4	55	49	6	315,00	695,00
R3622.080	231	4	60	55	6	400,00	780,00
R3622.090	263	4	65	60	5	490,00	1340,00
R3622.100	295	4	70	70	7	610,00	1500,00
R3622.110	332,5	4	80	70	6	655,00	2160,00
R3622.120	390	4	90	85	6	950,00	3250,00