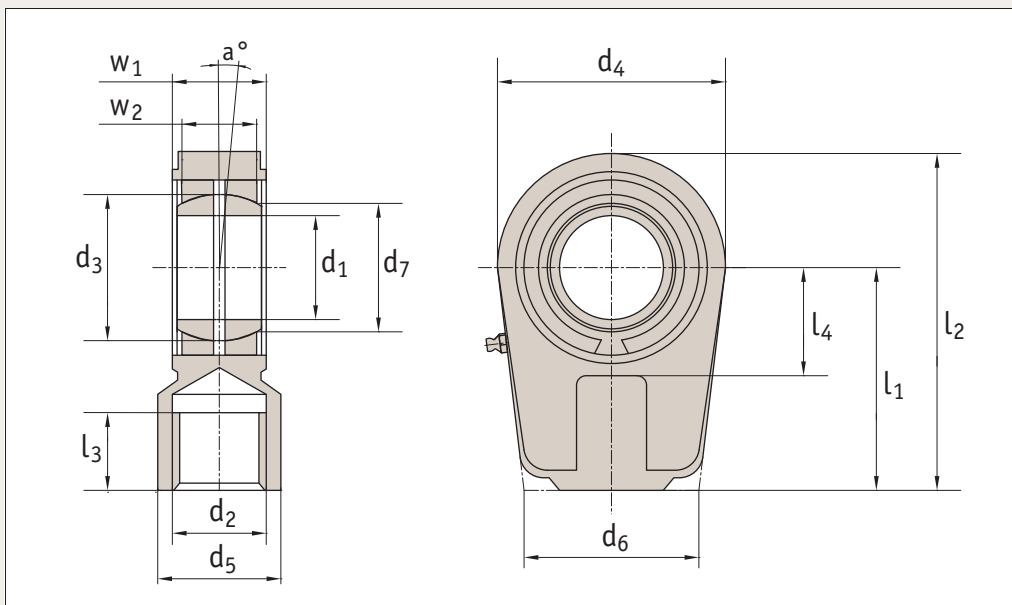




R3624



Material

Housing: Up to size 60 - Heat-treated steel (C45).
From size 70 cast iron (GS400).
Steel on steel bearing requiring lubrication.
Spherical plain bearing.

Technical Notes

Fitted with hydraulic grease nipples to DIN71412.
Rod ends with short thread, particularly suited to hydraulic cylinders.
Spherical plain bearing fixed with snap rings.

Tips

For use with shortest relay distances and maximum stroke utilization.
Standard thread is right hand thread.
Left hand thread available on request.

Order no.	d_1 M7	d_2 6H	l_1	d_3	d_4	d_5	d_6	d_7	l_2	$\frac{\Delta}{g}$ g
R3624.020	20	M16x1,5	50	29	56	25	46	24,2	80	430
R3624.025	25	M16x1,5	50	35,5	56	25	46	29,3	80	480
R3624.030	30	M22x1,5	60	40,7	64	32	50	34,2	94	740
R3624.035	35	M28x1,5	70	47	78	40	66	39,8	112	1200
R3624.040	40	M35x1,5	85	53	94	49	76	45	135	2000
R3624.050	50	M45x1,5	105	66	116	61	90	55,9	168	3800
R3624.060	60	M58x1,5	130	80	130	75	120	66,8	200	5400
R3624.070	70	M65x1,5	150	92	154	86	130	77,9	237	5400
R3624.080	80	M80x2,0	170	105	176	105	160	89,4	265	12000
R3624.090	90	M100x2,0	210	115	206	124	180	98,1	323	21500
R3624.100	100	M110x2,0	235	130	230	138	200	109,5	360	27500
R3624.110	110	M120x3,0	265	140	265	152	220	121,2	407,5	40500
R3624.120	120	M130x3,0	310	160	340	172	257	135,5	490	76000

Order no.	l_3	l_4	w_1	w_2	a°	Max. dynamic load C kN	Max. static load C_0 kN
R3624.020	17	25	19	16	9	30,00	72,00
R3624.025	17	28	23	20	7	48,00	72,00
R3624.030	23	30	28	22	6	62,00	106,00
R3624.035	29	38	30	25	6	80,00	153,00
R3624.040	36	45	35	28	7	100,00	250,00
R3624.050	46	55	40	35	6	156,00	365,00
R3624.060	59	65	50	44	6	245,00	400,00

Hydraulic Rod Ends

with female thread

Rod Ends



Order no.	l_3	l_4	w_1	w_2	a°	Max. dynamic load C kN	Max. static load C_0 kN
R3624.070	66	75	55	49	6	245,00	400,00
R3624.080	81	80	60	55	6	400,00	670,00
R3624.090	101	90	65	60	5	490,00	980,00
R3624.100	111	105	70	70	7	610,00	1120,00
R3624.110	125	115	80	80	6	655,00	1700,00
R3624.120	135	140	90	90	6	950,00	2900,00