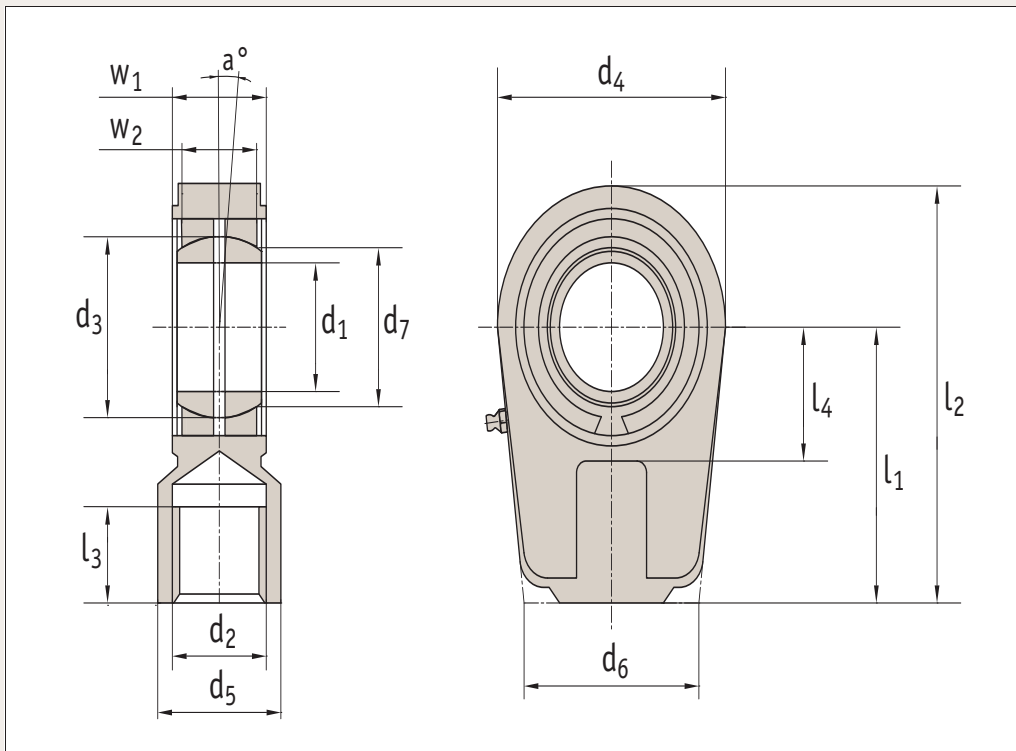




R3625



Material

Housing: stainless steel (AISI 316).  
Bearing stainless steel (AISI 420C) and PTFE fabric.

Tips

Standard thread is right hand thread.

Order no.	$d_1$ M7	$d_2$ 6H	$l_1$	$d_3$	$d_4$	$d_5$	$d_6$	$d_7$	$l_2$	$\frac{\Delta}{g}$
R3625.020	20	M16x1,5	50	29	56	25	46	24,1	80	400
R3625.025	25	M16x1,5	50	35,5	56	25	46	29,3	80	475
R3625.030	30	M22x1,5	60	40,7	64	32	50	34,2	94	700
R3625.035	35	M28x1,5	70	47	78	40	66	39,7	112	1150
R3625.040	40	M35x1,5	85	53	94	49	76	45	135	2075
R3625.050	50	M45x1,5	105	66	116	61	90	56	168	3575

Order no.	$l_3$	$l_4$	$w_1$	$w_2$	$a^\circ$	Max. dynamic load C kN	Max. static load $C_0$ kN
R3625.020	17	25	19	16	9°	30,00	72,00
R3625.025	17	28	23	20	7°	48,00	72,00
R3625.030	23	30	28	22	6°	62,00	106,00
R3625.035	29	38	30	25	6°	80,00	153,00
R3625.040	36	45	35	28	7°	100,00	250,00
R3625.050	46	55	40	35	6°	156,00	365,00