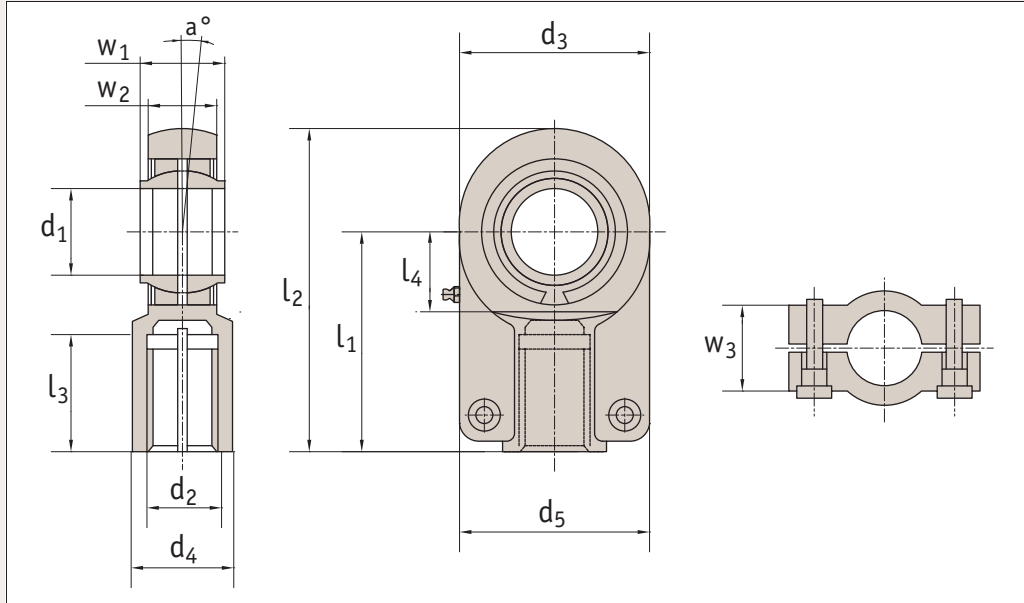


R3628



Material

Housing: Up to size 60 - Heat-treated steel (C45).
 From size 70 cast iron (GS400).
 Bearing: steel on steel requiring lubrication.

Technical Notes

DIN24338/ISO6982.
 For standard hydraulic cylinders, fastened by hexagon socket cap screws to DIN912-12.9.
 Spherical plain bearings, regreasable, fixed with snap rings.
 Sizes up to 12 not regreasable.

Tips

Standard thread is right hand thread.
 Left hand thread available on request.

Order no.	d ₁ H7	d ₂ 6H	l ₁	d ₃	d ₄	d ₅	l ₂	l ₃	l ₄	$\frac{m}{g}$ g
R3628.012	12	M12x1,25	38	32	16,5	32	54	17	14	100
R3628.016	16	M14x1,5	44	40	21	40	64	19	18	200
R3628.020	20	M16x1,5	52	47	25	47	77	23	22	400
R3628.025	25	M20x1,5	65	58	30	54	96	29	27	660
R3628.032	32	M27x2,0	80	71	38	66	118,5	37	32	1200
R3628.040	40	M33x2,0	97	90	47	80	146	46	41	2100
R3628.050	50	M42x2,0	120	109	58	96	179,5	57	50	4400
R3628.063	63	M48x2,0	140	136	70	114	213	64	62	7600
R3628.070	70	M56x2,0	160	155	80	135	245	76	70	9500
R3628.080	80	M64x3,0	180	168	90	148	270	86	78	14500
R3628.090	90	M72x3,0	195	185	100	160	296	91	85	17000
R3628.100	100	M80x3,0	210	210	110	178	322	96	98	28000
R3628.110	110	M90x3,0	235	235	125	190	364	106	105	32000
R3628.125	125	M100x3,0	102	260	135	200	405	113	120	43000

Order no.	w ₁	w ₂	w ₃	a°	Max. dynamic load C kN	Max. static load C ₀ kN
R3628.012	12	11	11	4	10,80	17,60
R3628.016	16	14	14	4	17,60	36,50
R3628.020	20	17	17	4	30,00	48,00
R3628.025	25	22	19	4	48,00	78,00
R3628.032	32	28	22	4	67,00	114,00
R3628.040	40	33	26	4	100,00	204,00

Hydraulic Rod Ends

with female thread and locking nuts

Rod Ends



Order no.	w ₁	w ₂	w ₃	a°	Max. dynamic load C kN	Max. static load C ₀ kN
R3628.050	50	41	32	4	156,00	310,00
R3628.063	63	53	38	4	255,00	430,00
R3628.070	70	57	42	4	315,00	540,00
R3628.080	80	66	48	4	400,00	695,00
R3628.090	90	72	52	4	490,00	750,00
R3628.100	100	84	62	4	610,00	1060,00
R3628.110	110	88	62	4	655,00	1200,00
R3628.125	125	102	72	4	950,00	1430,00