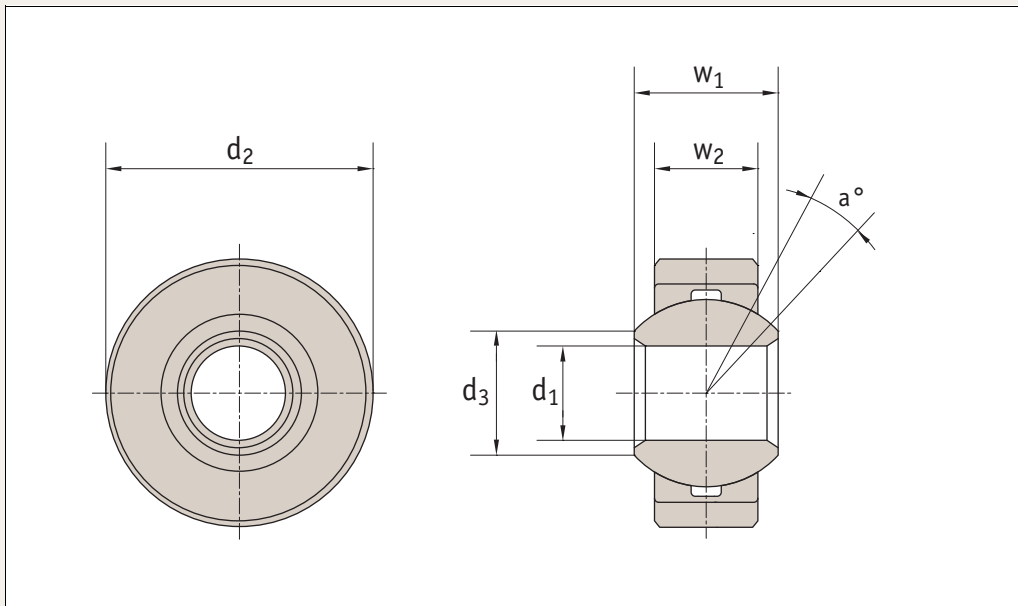


R3642



Material

Housing: stainless steel (1.4305) turned.
 Bearing shell: special brass CuSn8 surface coated with a PTFE foil.
 Ball: ball bearing steel 100Cr6 hardened, surface condition polished, hard chrome plated.
 Upon request: stainless steel (1.4034) hardened, surface condition polished.

Stainless steel (1.4401) not hardened, surface condition polished.

Technical Notes

Suitable for low speeds and high dynamic loads.

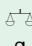
Maintenance free, series K similar to DIN 12240-1 (DIN 648)

Important Notes

Working range -50°C to +200°C
 Recommended shaft tolerance: g6

External diameter of pivoting bearing: h6

Recommended housing tolerance: J7

Order No.	d ₁ H7	d ₂	d ₃	w ₁	w ₂	a°	Admissible rpm/min	Max static load C _{0KN}	 g
R3642.004	4	14	6,5	7	5,25	14	700	9,5	5
R3642.005	5	16	7,7	8	6	13	600	12,5	8
R3642.006	6	18	8,9	9	6,75	13	530	15,5	12
R3642.008	8	22	10,4	12	9	14	420	27,8	23
R3642.010	10	26	12,9	14	10,5	13	350	39	38
R3642.012	12	30	15,4	16	12	13	300	53,5	58
R3642.014	14	34	16,8	19	13,5	16	260	70	83
R3642.016	16	38	19,3	21	15	15	230	88	115
R3642.018	18	42	21,8	23	16,5	15	210	106,5	150
R3642.020	20	46	24,3	25	18	14	190	130	200
R3642.022	22	50	25,8	28	20	15	170	162	270
R3642.025	25	56	29,6	31	22	15	150	204	375
R3642.030	30	66	34,8	37	25	17	130	281	540
R3642.035	35	78	37,7	43	30	19	110	343	850
R3642.040	40	87	42,2	49	35	16	100	495	1400