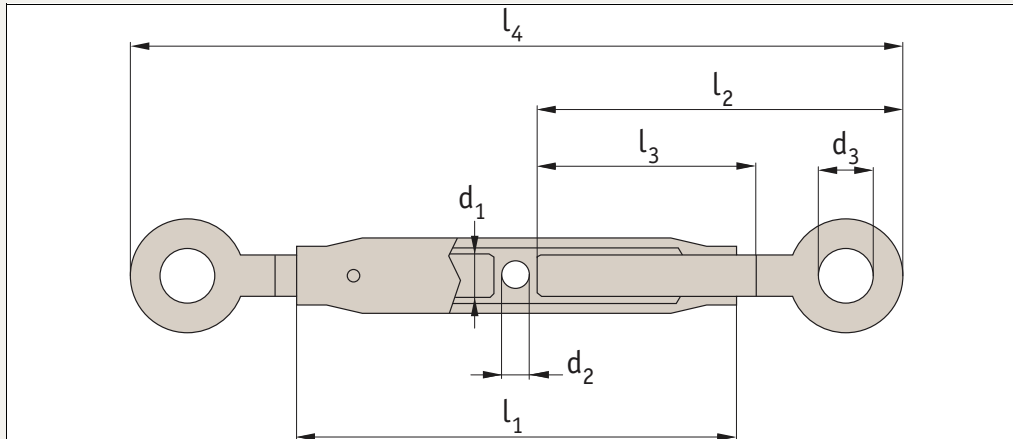


Eye End Pipe Body Turnbuckles

steel

Turnbuckles



R3808

Material

Steel (1.0037).
Zinc plated (hot dip galvanized).

Technical Notes

To DIN 1478.

Tips

Turnbuckles consist of a metal frame with right hand thread one end and left hand thread the other end. Used for tensioning by rotating turnbuckle body

without twisting attached rope or cable.

Important Notes

Turnbuckles are not to be used for lifting.

Only suitable for use in tension.

Order No.	d_1	l_1	d_2	d_3	l_2	l_3	l_4 min	l_4 max	Δ Kg
R3808.006	M 6	110	6	10	74	50	154	244	0,16
R3808.008	M 8	110	8	11	80	52	168	253	0,18
R3808.010	M10	125	8	15	95	59	199	294	0,28
R3808.012	M12	125	10	17	107	66	225	315	0,42
R3808.016	M16	170	10	22	146	85	302	422	0,91
R3808.020	M20	200	12	24	170	100	352	492	1,36
R3808.024	M24	255	12	33	213	134	437	619	2,60
R3808.030	M30	255	16	39	255	150	527	687	3,75
R3808.036	M36	295	16	37	260	150	537	717	6,35
R3808.042	M42	330	20	48	285	165	590	790	10,50
R3808.048	M48	355	20	58	335	185	691	901	15,50