

SPRINGFIX® LINKAGES

...our linkages, your solution

Ball & Socket Joints



Ball and Socket Joints

Ball and socket joints to DIN 71802 available in zinc plated steel and stainless steel. Right and left hand threads available.

Sizes M5 up to M16.

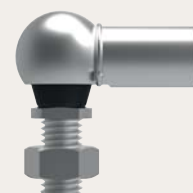


Pages 76 - 81

Ball and Socket Joints - with sealing caps

Ball and socket joints to DIN 71802 available in zinc plated steel and stainless steel. Right and left hand threads available.

Sizes M5 up to M16.



Pages 82 - 87

Ball and Socket Joints - with sealing caps and spanner flats

Ball and socket joints to DIN 71802 available in zinc plated steel and stainless steel. Right and left hand threads available. Spanner flats on housing to aid installation.

Sizes M5 up to M16.



Pages 88 - 93

Axial Ball and Socket Joints

In-line ball and socket joints to DIN 71802 available in zinc plated steel and stainless steel.

Sizes M5 up to M14 x 1,5.

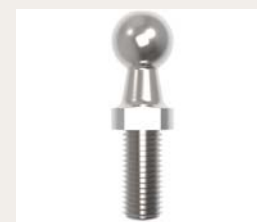


Pages 94 - 97

Threaded Ball Studs

Threaded ball studs to DIN 71803 form C available in zinc plated steel.

Sizes M5 up to M14.

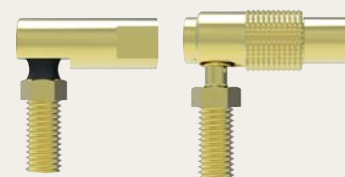


Pages 100

Quick Release - plus other ball and socket joints

Quick release ball joints allow rapid release and reconnection of ball stud for easy installation. DMG6 and male:male ball joints and lockable also available.

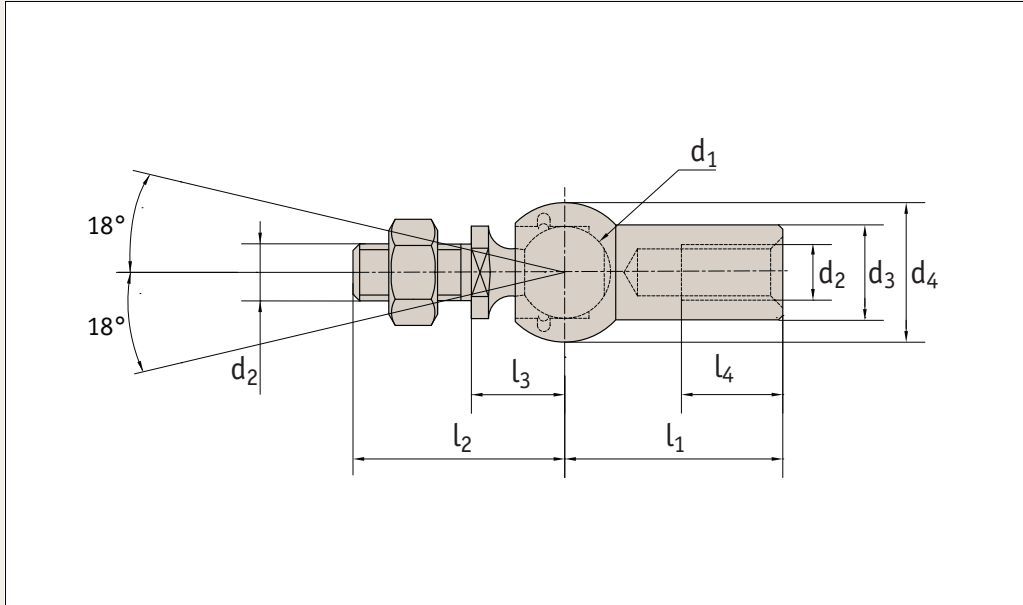
Sizes M5 up to M10.



Pages 101 - 106



R3500



Material

Steel, silver zinc plated.
 Ball stud: minimum tensile strength
 $R_m = 600 \text{ N/mm}^2$.
 Housing: minimum tensile strength
 $R_m = 500 \text{ N/mm}^2$.

Technical Notes

Similar to DIN 71802
 *M14x1,5 is a fine pitch thread

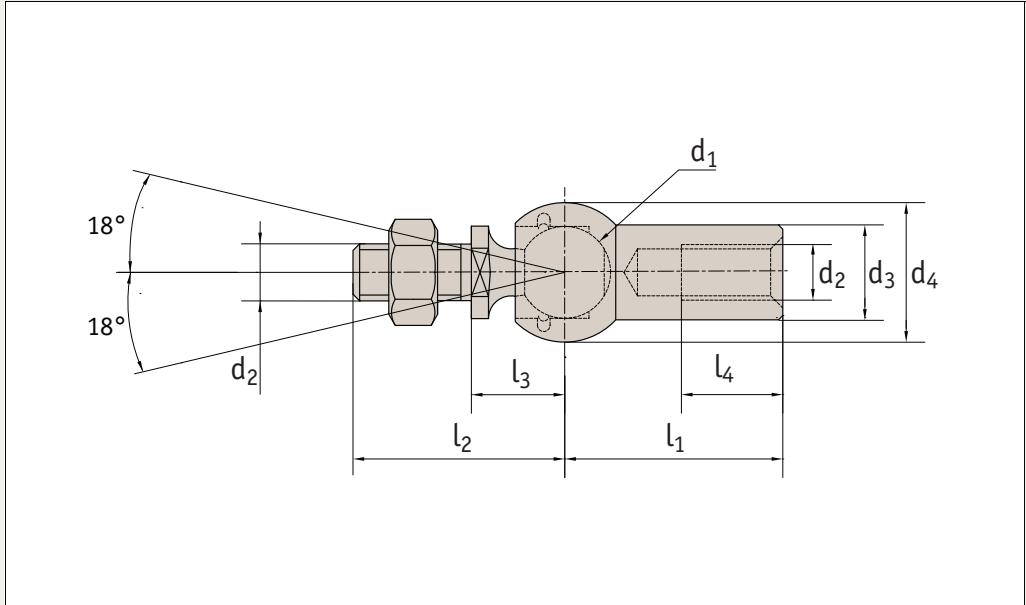
Tips

Standard thread is right hand, (for left hand thread see R3501).
 For stainless steel version see R3506.

Order No.	Thread (hand)	d_1 h9	d_2	l_1	d_3 ± 0.5	d_4 ± 0.5	l_2	l_3	l_4	Extraction force N	$\frac{1}{16}$ g
R3500.R005	Right	8	M 5	22	8	12,8	19,2	9	10,2	30	15,2
R3500.R006	Right	10	M 6	25	10	14,8	23,5	11	11,5	40	25,2
R3500.R008	Right	13	M 8	30	13	19,3	29,5	13	14	60	53,1
R3500.R010	Right	16	M10	35	16	24,0	36	16	15,5	80	103,8
R3500.R014	Right	19	M14x1,5*	45	22	30,0	48	20	21,5	100	220,9



R3506



Material
Stainless steel (AISI 303).

Technical Notes
Similar to DIN 71802
*M14x1,5 is a fine pitch thread

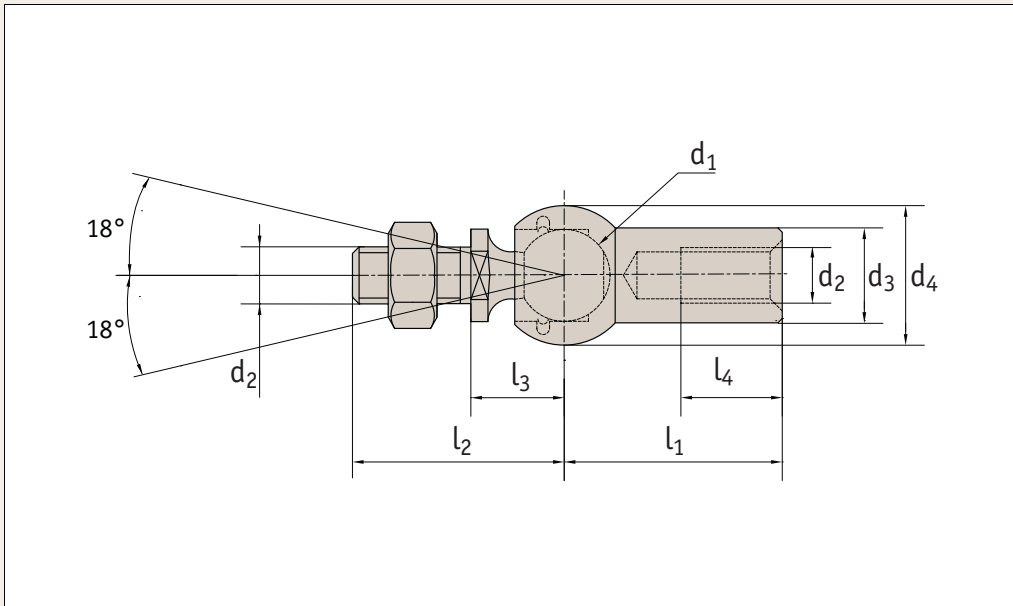
Tips
Standard thread is right hand, (for left hand thread see R3507).

Order No.	Thread (hand)	d_1 h9	d_2	l_1	d_3 ± 0.5	d_4 ± 0.5	l_2	l_3	l_4	Extraction force N	$\Delta \pm g$
R3506.R005	Right	8	M5	22	8	12,8	19,2	9	10,2	30	15,2
R3506.R006	Right	10	M6	25	10	14,8	23,5	11	11,5	40	25,2
R3506.R008	Right	13	M8	30	13	19,3	29,5	13	14	60	53,1
R3506.R010	Right	16	M10	35	16	24,0	36	16	15,5	80	103,8
R3506.R014	Right	19	M14x1,5*	45	22	30,0	48	20	21,5	100	220,9

Axial Ball and Socket Joints

left hand thread

Ball & Socket Joints



R3501

Material

Steel, silver zinc plated.

Ball stud: minimum tensile strength
 $R_m = 600 \text{ N/mm}^2$.

Housing: minimum tensile strength
 $R_m = 500 \text{ N/mm}^2$.

Technical Notes

Similar to DIN 71802

*M14x1,5 is a fine pitch thread

Tips

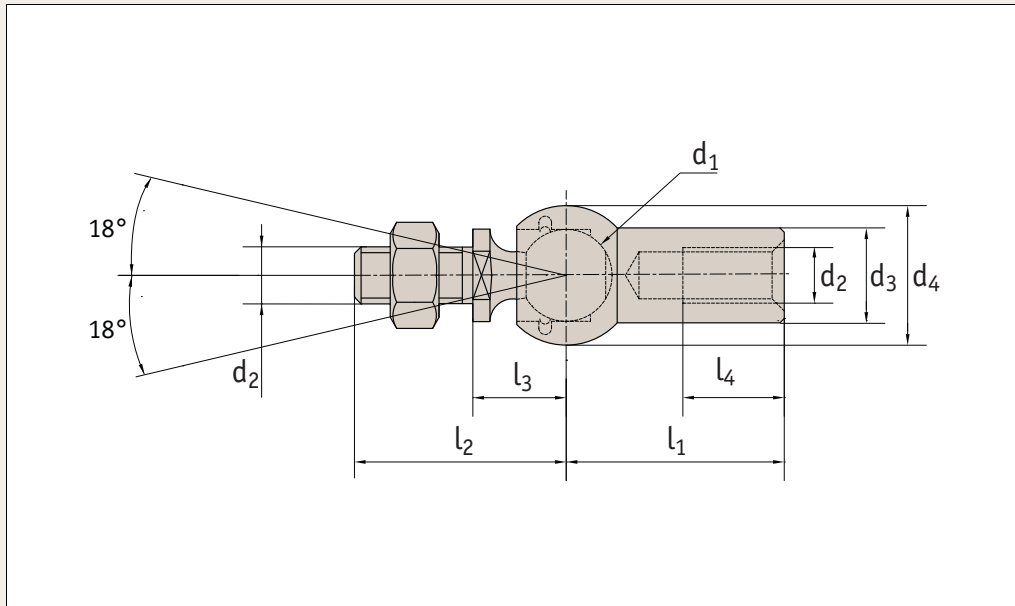
For stainless steel version see R3507.

Order No.	Thread (hand)	d_1 h9	d_2	l_1	d_3 ± 0.5	d_4 ± 0.5	l_2	l_3	l_4	Extraction force N	$\frac{g}{g}$
R3501.L005	Left	8	M5	22	8	12,8	19,2	9	10,2	30	15,2
R3501.L006	Left	10	M6	25	10	14,8	23,5	11	11,5	40	25,2
R3501.L008	Left	13	M8	30	13	19,3	29,5	13	14	60	53,1
R3501.L010	Left	16	M10	35	16	24	36	16	15,5	80	103,8
R3501.L014	Left	19	M14x1,5*	45	22	30	48	20	21,5	100	220,9

Stainless Axial Ball and Socket Joints

left hand thread

Ball &
Socket Joints



R3507

Material

Stainless steel (AISI 303).

Technical Notes

Similar to DIN 71802

*M14x1,5 is a fine pitch thread

Order No.	Thread (hand)	d ₁ h9	d ₂	l ₁	d ₃ ±0.5	d ₄ ±0.5	l ₂	l ₃	l ₄	Extraction force N	⚖ g
R3507.L005	Left	8	M5	22	8	12,8	19,2	9	10,2	30	15,2
R3507.L006	Left	10	M6	25	10	14,8	23,5	11	11,5	40	25,2
R3507.L008	Left	13	M8	30	13	19,3	29,5	13	14	60	53,1
R3507.L010	Left	16	M10	35	16	24,0	36	16	15,5	80	103,8
R3507.L014	Left	19	M14x1,5*	45	22	30,0	48	20	21,5	100	220,9