

SPRINGFIX® LINKAGES

...our linkages, your solution

Ball & Socket Joints



Ball and Socket Joints

Ball and socket joints to DIN 71802 available in zinc plated steel and stainless steel. Right and left hand threads available.

Sizes M5 up to M16.



Pages 76 - 81

Ball and Socket Joints - with sealing caps

Ball and socket joints to DIN 71802 available in zinc plated steel and stainless steel. Right and left hand threads available.

Sizes M5 up to M16.



Pages 82 - 87

Ball and Socket Joints - with sealing caps and spanner flats

Ball and socket joints to DIN 71802 available in zinc plated steel and stainless steel. Right and left hand threads available. Spanner flats on housing to aid installation.

Sizes M5 up to M16.



Pages 88 - 93

Axial Ball and Socket Joints

In-line ball and socket joints to DIN 71802 available in zinc plated steel and stainless steel.

Sizes M5 up to M14 x 1,5.



Pages 94 - 97

Threaded Ball Studs

Threaded ball studs to DIN 71803 form C available in zinc plated steel.

Sizes M5 up to M14.

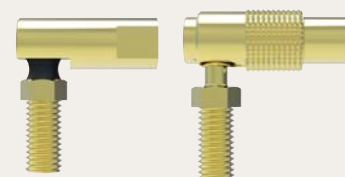


Pages 100

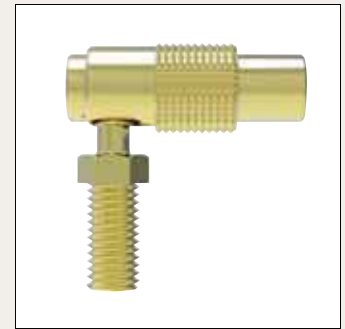
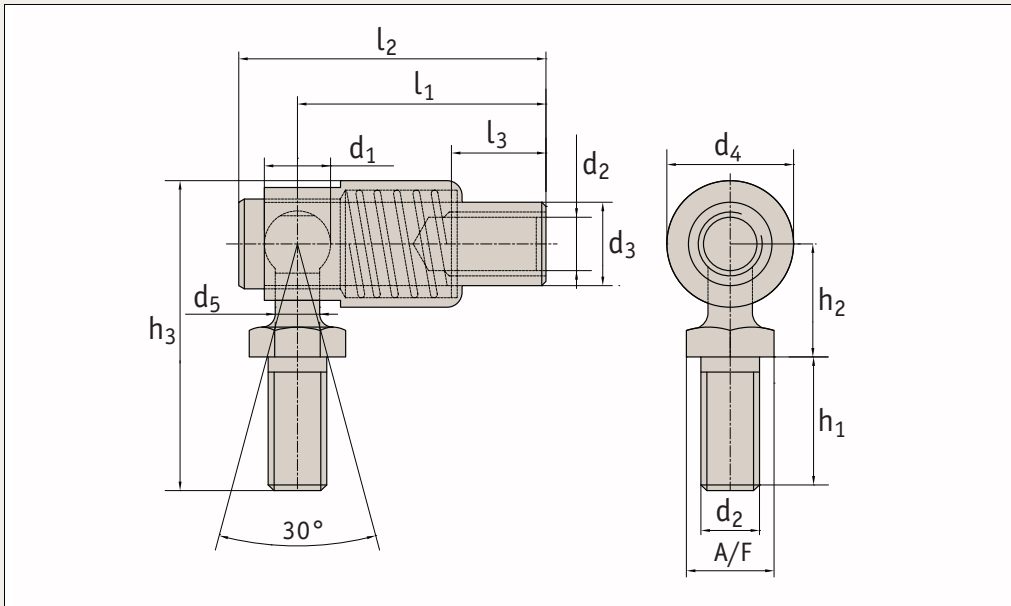
Quick Release - plus other ball and socket joints

Quick release ball joints allow rapid release and reconnection of ball stud for easy installation. DMG6 and male:female ball joints and lockable also available.

Sizes M5 up to M10.



Pages 101 - 106



R3535

Material

Body, shield and ball stud (BS. 970230M07Pb) leaded low carbon steel equivalent SAE 12L14. Body and ball stud are case hardened.
Spring: (302S26) stainless steel or equivalent.
Yellow zinc plated.

Technical Notes

The spring loaded outer shield allows both rapid release and reconnection of the ball stud. Linkage assemblies can be installed or removed without disturbing pre-set centres. These are metric equivalents to SAE J 490 Style 1 quick release detachable ball joints.

Tips

Standard thread is right hand thread.

Order No.	Thread (hand)	d_1	d_2	l_1	l_2	l_3	h_1	h_2	h_3	d_3	d_4	d_5	A/F	$\frac{\Delta}{g}$
R3535.005	Right	6,35	M 5	23	28	11,1	11,1	11,9	28,6	7,9	11,1	4,35	8	17
R3535.006	Right	7,9	M 6	24,6	30	13	12,6	12,6	33,4	9,4	13	4,95	10	25
R3535.008	Right	8,6	M 8	31,7	40	14,3	15,2	15,2	40,6	11,1	16	5,8	11	48
R3535.010	Right	10,7	M10	39,7	49	27	19,8	19,8	51,4	14,1	19	6,85	13	78