

SPRINGFIX® LINKAGES

...our linkages, your solution

Clevis Joints



Clevis Joints

Stocked to DIN 71752 in steel and stainless steel. Plain clevis joints or clevis joints and pin assemblies available in right and left hand threads zinc plated steel and stainless steel.

Sizes Steel from M4 up to M48, stainless from M4 up to M27.



Pages 10 - 41

Male Clevis Joints

Stocked in zinc plated steel and stainless steel, right and left hand threads.

Sizes M6 up to M20.

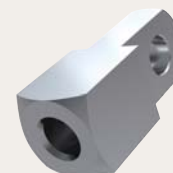


Pages 42 - 47

Clevis Mating Pieces

These are designed to fit in between our clevis joints to create a linkage where an angular offset is required. Available in zinc plated steel and stainless steel.

Sizes M4 up to M20.



Pages 48 - 53

Clevis Retention Clips

These are the most popular type of clip used with our clevis joints. They create a neat compact assembly, only available in zinc plated steel.

Sizes Available for clevis joints from 4mm up to 20mm.

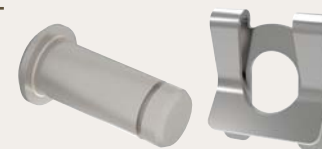


Pages 55 - 57

Clevis Pins and Clips

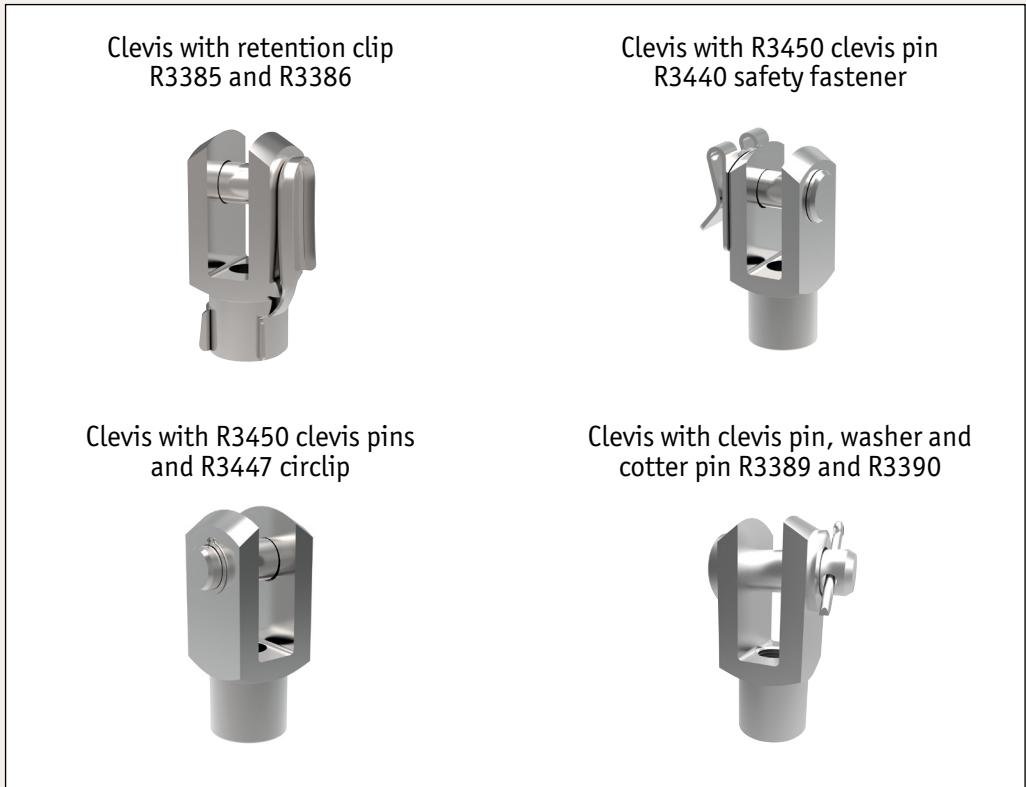
Various styles of pins and clips to suit clevis joints in zinc plated steel and stainless steel.

Sizes Available to suit all sizes of clevis joints we offer.

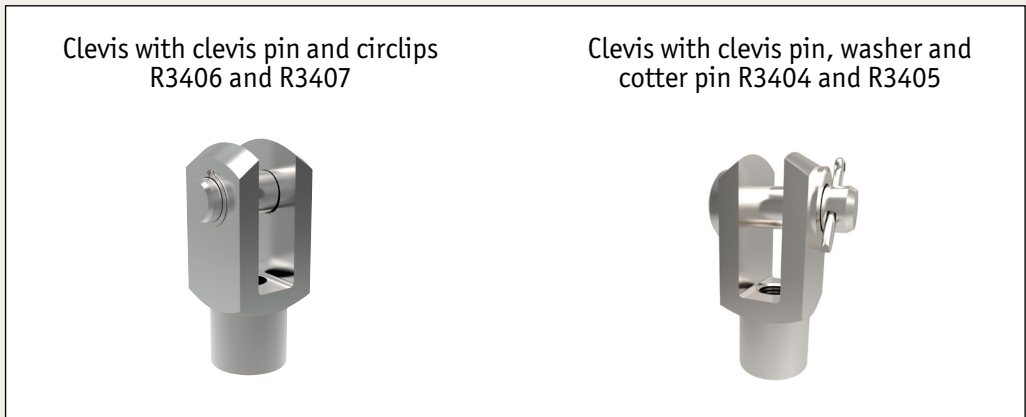


Pages 58 - 73

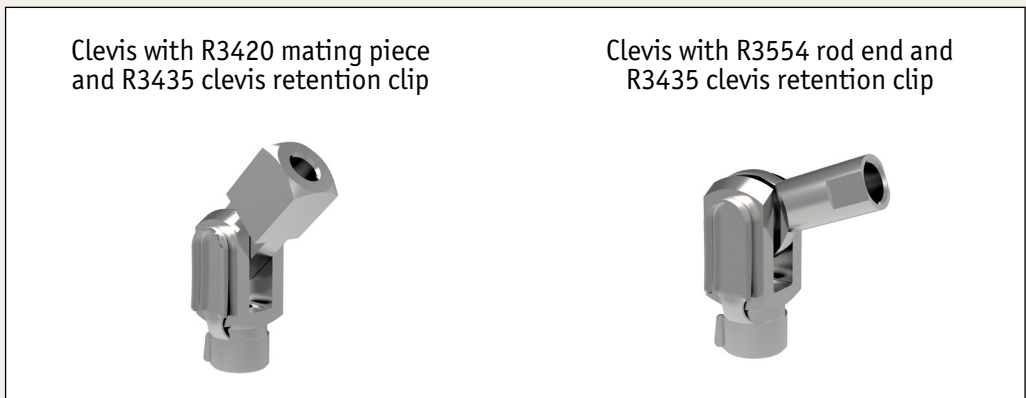
Zinc plated steel



Stainless steel



Assembly options





Clevises M6 - M42

Clevis joints axially loaded.

Material

Leaded low carbon steel (AISI 12L14, 1.0718).

Clevis size	F min (kN)	F max (kN)	F average value (kN)	Avg. force when clevis starts to deform (kN)
6x24 M 6	16,0	19,5	17,6	15,3
8x32 M 8	33,2	35,6	34,6	29,3
10x40 M10	42,0	52,0	47,5	41,3
12x48 M12	53,0	68,5	61,1	50,2
14x56 M14	60,5	64,5	63,0	48,8
16x64 M16	133,5	146,0	140,2	115
20x40 M20	194,5	234,0	213,5	176
25x50 M25	311,0	336,0	328,0	260
30x60 M30	428,0	450,0	440,6	343
36x72 M36	566,0	573,0	569,5	300
35x72 M36	561,2	567,9	564,6	370
42x84 M42	904,6	904,6	904,6	420

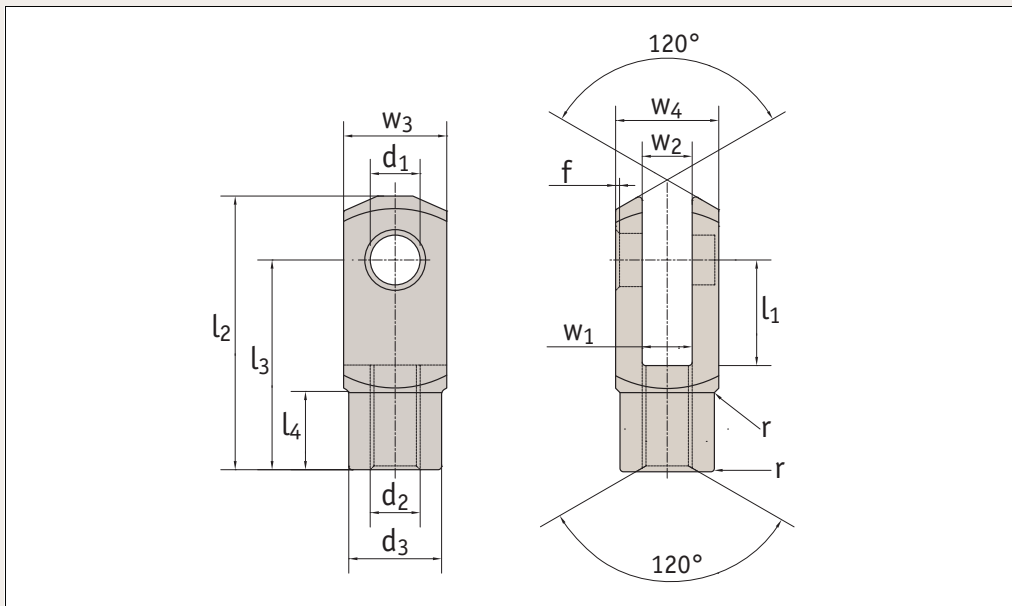
Information

Important note: values in this table are indicative only and should only be used as a rough guide. The Company cannot foresee the intended applications of their products and we accept no liability for any actions taken by third parties. Customers are advised to use their own safety factors and/or perform their own testing on the clevis joint to ensure it meets requirements for their application.

Clevis Joints from Springfix Linkages



R3385



Material

Steel 1.0718 (11SMnPb30k), silver zinc plated.

Technical Notes

M4-M16: DIN 71 752/DIN ISO 8140.
M18-M48: Similar to DIN 71 752/DIN ISO 8140 and according to CETOP standard.

Tips

For yellow zinc plated version see R3393.

Standard thread is right hand, (for left hand, see R3386).

Important Notes

For sizes M4-M12, f and r = 0,5
For sizes M14-M16, f and r = 1
For sizes M18-M20, f=1, r = 1,5
For M24 f and r = 1,5
For sizes M27-M30, f = 1,5, r = 2
For M36 f = 2, r = 3
For sizes M42-M48, f = 3, r = 5
For r, radius or 45° bevelling.

Other Tolerances:-

w₄: M4-M16 = +0,3 -0,16
M18-M48 = +0,5 -0,2
w₂: size 4x8-10x20 = B13
All others +0,7 +0,15
d₃: M4-M16 = ±0,3
l₂: size 4x8-6x12 = ±0,3
All others ±0,4
l₃: M4-M16 = ±0,2
M18-M48 = ±0,3
r: M18-M48 = ±0,5

Order No.	Size	Thread (hand)	Thread type	d ₁ H9	l ₁ ±0,5	d ₂	d ₃	l ₂ ±0,5	l ₃	l ₄	w ₁ B13	w ₂	w ₃ h11	w ₄	⚠ g
R3385.R040	4x8	Right	Coarse	4	8	M4	8	21	16	6,0	4	4	8	8	5
R3385.R041	4x16	Right	Coarse	4	16	M4	8	29	24	6,0	4	4	8	8	7
R3385.R051	5x10	Right	Coarse	5	10	M5	9	26	20	7,5	5	5	10	10	9
R3385.R052	5x20	Right	Coarse	5	20	M5	9	36	30	7,5	5	5	10	10	13
R3385.R061	6x12	Right	Coarse	6	12	M6	10	31	24	9,0	6	6	12	12	15
R3385.R062	6x24	Right	Coarse	6	24	M6	10	43	36	9,0	6	6	12	12	21
R3385.R081	8x16	Right	Coarse	8	16	M8	14	42	32	12,0	8	8	16	16	37
R3385.R082	8x16	Right	Fine	8	16	M8x1	14	42	32	12,0	8	8	16	16	37
R3385.R083	8x32	Right	Coarse	8	32	M8	14	58	48	12,0	8	8	16	16	54
R3385.R084	8x32	Right	Fine	8	32	M8x1	14	58	48	12,0	8	8	16	16	54
R3385.R102	10x20	Right	Coarse	10	20	M10	18	52	40	15,0	10	10	20	20	74
R3385.R103	10x20	Right	Fine	10	20	M10x1,25	18	52	40	15,0	10	10	20	20	74
R3385.R104	10x40	Right	Coarse	10	40	M10	18	72	60	15,0	10	10	20	20	116
R3385.R105	10x40	Right	Fine	10	40	M10x1,25	18	72	60	15,0	10	10	20	20	116
R3385.R122	12x24	Right	Coarse	12	24	M12	20	62	48	18,0	12	12	24	24	121
R3385.R123	12x24	Right	Fine	12	24	M12x1,25	20	62	48	18,0	12	12	24	24	121
R3385.R124	12x48	Right	Coarse	12	48	M12	20	86	72	18,0	12	12	24	24	175
R3385.R125	12x48	Right	Fine	12	48	M12x1,25	20	86	72	18,0	12	12	24	24	175
R3385.R142	14x28	Right	Coarse	14	28	M14	24	72	56	22,5	14	14	27	27	178
R3385.R143	14x28	Right	Fine	14	28	M14x1,5	24	72	56	22,5	14	14	27	27	178
R3385.R145	14x56	Right	Coarse	14	56	M14	24	101	85	22,5	14	14	27	27	258

Steel Clevis Joints

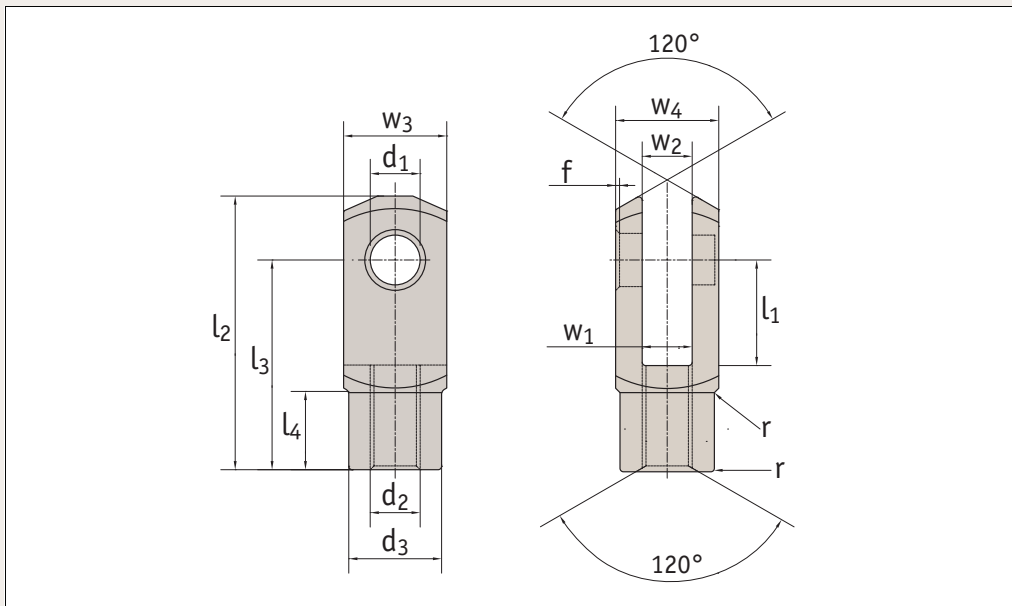
silver zinc plated

Clevis Joints

Order No.	Size	Thread (hand)	Thread type	d ₁ H9	l ₁ ±0,5	d ₂	d ₃	l ₂ ±0,5	l ₃	l ₄	w ₁ B13	w ₂	w ₃ h11	w ₄	g
R3385.R146	14x56	Right	Fine	14	56	M14x1,5	24	101	85	22,5	14	14	27	27	258
R3385.R163	16x32	Right	Coarse	16	32	M16	26	83	64	24,0	16	16	32	32	282
R3385.R164	16x32	Right	Fine	16	32	M16x1,5	26	83	64	24,0	16	16	32	32	282
R3385.R166	16x64	Right	Coarse	16	64	M16	26	115	96	24,0	16	16	32	32	411
R3385.R167	16x64	Right	Fine	16	64	M16x1,5	26	115	96	24,0	16	16	32	32	411
R3385.R183	18x36	Right	Coarse	18	36	M18	30	94	72	27,0	18	18	36	36	390
R3385.R184	18x36	Right	Fine	18	36	M18x1,5	30	94	72	27,0	18	18	36	36	390
R3385.R204	20x40	Right	Coarse	20	40	M20	34	105	80	30,0	20	20	40	40	550
R3385.R205	20x40	Right	Fine	20	40	M20x1,5	34	105	80	30,0	20	20	40	40	550
R3385.R208	20x80	Right	Coarse	20	80	M20	34	145	120	30,0	20	20	40	40	800
R3385.R209	20x80	Right	Fine	20	80	M20x1,5	34	145	120	30,0	20	20	40	40	800
R3385.R255	25x50	Right	Coarse	25	50	M24	42	132	100	36,0	25	25	50	50	1100
R3385.R256	25x50	Right	Fine	25	50	M24x2	42	132	100	36,0	25	25	50	50	1100
R3385.R285	28x56	Right	Coarse	28	56	M27	48	148	112	40,0	28	28	55	55	1500
R3385.R368	36x72	Right	Fine	35	72	M36x2	60	188	144	54,0	36	36	70	70	2930
R3385.R286	28x56	Right	Fine	28	56	M27x2	48	148	112	40,0	28	28	55	55	1500
R3385.R305	30x54	Right	Fine	30	54	M27x2	48	148	110	40,0	30	30	55	55	1440
R3385.R306	30x60	Right	Coarse	30	60	M30	52	160	120	42,0	30	30	60	60	1970
R3385.R307	30x60	Right	Fine	30	60	M30x2	52	160	120	42,0	30	30	60	60	1970
R3385.R355	35x54	Right	Fine	35	54	M36x2	60	188	144	54,0	35	35	70	70	2930
R3385.R357	35x72	Right	Coarse	35	72	M36	60	188	144	54,0	35	35	70	70	2930
R3385.R358	35x72	Right	Fine	35	72	M36x2	60	188	144	54,0	35	35	70	70	2930
R3385.R367	36x72	Right	Coarse	35	72	M36	60	188	144	54,0	36	36	70	70	2930
R3385.R408	40x84	Right	Fine	40	84	M42x2	70	232	168	63,5	40	40	85	85	5640
R3385.R428	42x84	Right	Coarse	42	84	M42	70	232	168	63,5	42	42	85	85	5340
R3385.R429	42x84	Right	Fine	42	84	M42x2	70	232	168	63,5	42	42	85	85	5340
R3385.R509	50x96	Right	Coarse	50	96	M48	82	265	192	73,0	50	50	96	96	7860
R3385.R510	50x96	Right	Fine	50	96	M48x2	82	265	192	73,0	50	50	96	96	7860



R3386



Material

Steel 1.0718 (11SMnPb30k)
silver zinc plated.

Technical Notes

M4-M16: DIN 71 752/DIN ISO 8140.
M18-M48: Similar to DIN 71 752/DIN ISO 8140 and according to CETOP standard.

Tips

For yellow zinc plated version see R3394.


Important Notes

For sizes M4-M12, f and r = 0,5
For sizes M14-M16, f and r = 1
For sizes M18-M20, f=1, r = 1,5
For M24 f and r = 1,5
For sizes M27-M30, f = 1,5, r = 2
For M36 f = 2, r = 3
For sizes M42-M48, f = 3, r = 5
For r, radius or 45° bevelling.

Other Tolerances:-

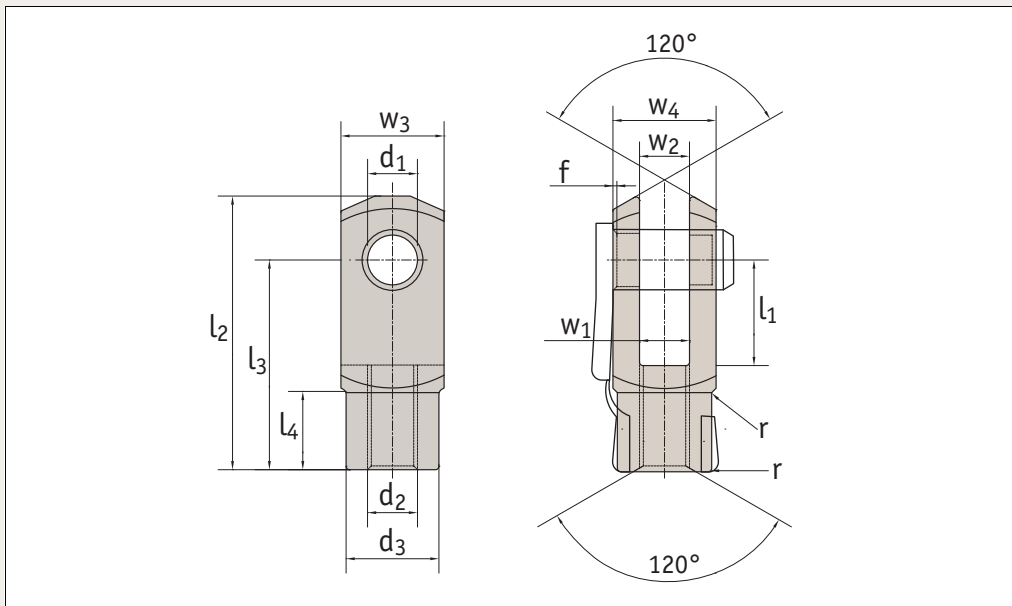
w₄: M4-M16 = +0,3 -0,16
M18-M48 = +0,5 -0,2
w₂: size 4x8-10x20 = B13
All others +0,7 +0,15
d₃: M4-M16 = ±0,3
l₂: size 4x8-6x12 = ±0,3
All others ±0,4
l₃: M4-M16 = ±0,2
M18-M48 = ±0,3
r: M18-M48 = ±0,5

Order No.	Size	Thread (hand)	Thread type	d ₁ H9	l ₁ ±0,5	d ₂	d ₃	l ₂ ±0,5	l ₃	l ₄	w ₁ B13	w ₂	w ₃ h11	w ₄	g
R3386.L040	4x8	Left	Coarse	4	8	M4	8	21	16	6,0	4	4	8	8	5
R3386.L041	4x16	Left	Coarse	4	16	M4	8	29	24	6,0	4	4	8	8	7
R3386.L051	5x10	Left	Coarse	5	10	M5	9	26	20	7,5	5	5	10	10	9
R3386.L052	5x20	Left	Coarse	5	20	M5	9	36	30	7,5	5	5	10	10	13
R3386.L061	6x12	Left	Coarse	6	12	M6	10	31	24	9,0	6	6	12	12	15
R3386.L062	6x24	Left	Coarse	6	24	M6	10	43	36	9,0	6	6	12	12	21
R3386.L081	8x16	Left	Coarse	8	16	M8	14	42	32	12,0	8	8	16	16	37
R3386.L082	8x16	Left	Fine	8	16	M8x1	14	42	32	12,0	8	8	16	16	37
R3386.L083	8x32	Left	Coarse	8	32	M8	14	58	48	12,0	8	8	16	16	54
R3386.L084	8x32	Left	Fine	8	32	M8x1	14	58	48	12,0	8	8	16	16	54
R3386.L102	10x20	Left	Coarse	10	20	M10	18	52	40	15,0	10	10	20	20	74
R3386.L103	10x20	Left	Fine	10	20	M10x1,25	18	52	40	15,0	10	10	20	20	74
R3386.L104	10x40	Left	Coarse	10	40	M10	18	72	60	15,0	10	10	20	20	116
R3386.L105	10x40	Left	Fine	10	40	M10x1,25	18	72	60	15,0	10	10	20	20	116
R3386.L122	12x24	Left	Coarse	12	24	M12	20	62	48	18,0	12	12	24	24	121
R3386.L123	12x24	Left	Fine	12	24	M12x1,25	20	62	48	18,0	12	12	24	24	121
R3386.L124	12x48	Left	Coarse	12	48	M12	20	86	72	18,0	12	12	24	24	175
R3386.L125	12x48	Left	Fine	12	48	M12x1,25	20	86	72	18,0	12	12	24	24	175
R3386.L142	14x28	Left	Coarse	14	28	M14	24	72	56	22,5	14	14	27	27	178
R3386.L143	14x28	Left	Fine	14	28	M14x1,5	24	72	56	22,5	14	14	27	27	178

Order No.	Size	Thread (hand)	Thread type	d ₁ H9	l ₁ ±0,5	d ₂	d ₃	l ₂ ±0,5	l ₃	l ₄	w ₁ B13	w ₂	w ₃ h11	w ₄	 g
R3386.L145	14x56	Left	Coarse	14	56	M14	24	101	85	22,5	14	14	27	27	258
R3386.L146	14x56	Left	Fine	14	56	M14x1,5	24	101	85	22,5	14	14	27	27	258
R3386.L163	16x32	Left	Coarse	16	32	M16	26	83	64	24,0	16	16	32	32	282
R3386.L164	16x32	Left	Fine	16	32	M16x1,5	26	83	64	24,0	16	16	32	32	282
R3386.L166	16x64	Left	Coarse	16	64	M16	26	115	96	24,0	16	16	32	32	411
R3386.L167	16x64	Left	Fine	16	64	M16x1,5	26	115	96	24,0	16	16	32	32	411
R3386.L183	18x36	Left	Coarse	18	36	M18	30	94	72	27,0	18	18	36	36	390
R3386.L184	18x36	Left	Fine	18	36	M18x1,5	30	94	72	27,0	18	18	36	36	390
R3386.L204	20x40	Left	Coarse	20	40	M20	34	105	80	30,0	20	20	40	40	550
R3386.L205	20x40	Left	Fine	20	40	M20x1,5	34	105	80	30,0	20	20	40	40	550
R3386.L208	20x80	Left	Coarse	20	80	M20	34	145	120	30,0	20	20	40	40	800
R3386.L209	20x80	Left	Fine	20	80	M20x1,5	34	145	120	30,0	20	20	40	40	800
R3386.L255	25x50	Left	Coarse	25	50	M24	42	132	100	36,0	25	25	50	50	1100
R3386.L256	25x50	Left	Fine	25	50	M24x2	42	132	100	36,0	25	25	50	50	1100
R3386.L285	28x56	Left	Coarse	28	56	M27	48	148	112	40,0	28	28	55	55	1500
R3386.L286	28x56	Left	Fine	28	56	M27x2	48	148	112	40,0	28	28	55	55	1500
R3386.L305	30x54	Left	Fine	30	54	M27x2	48	148	110	40,0	30	30	55	55	1440
R3386.L306	30x60	Left	Coarse	30	60	M30	52	160	120	42,0	30	30	60	60	1970
R3386.L307	30x60	Left	Fine	30	60	M30x2	52	160	120	42,0	30	30	60	60	1970
R3386.L355	35x54	Left	Fine	35	54	M36x2	60	188	144	54,0	35	35	70	70	2930
R3386.L357	35x72	Left	Coarse	35	72	M36	60	188	144	54,0	35	35	70	70	2930
R3386.L358	35x72	Left	Fine	35	72	M36x2	60	188	144	54,0	35	35	70	70	2930
R3386.L367	36x72	Left	Coarse	35	72	M36	60	188	144	54,0	36	36	70	70	2930
R3386.L368	36x72	Left	Fine	35	72	M36x2	60	188	144	54,0	36	36	70	70	2930
R3386.L408	40x84	Left	Fine	40	84	M42x2	70	232	168	63,5	40	40	85	85	5640
R3386.L428	42x84	Left	Coarse	42	84	M42	70	232	168	63,5	42	42	85	85	5340
R3386.L429	42x84	Left	Fine	42	84	M42x2	70	232	168	63,5	42	42	85	85	5340
R3386.L509	50x96	Left	Coarse	50	96	M48	82	265	192	73,0	50	50	96	96	7860
R3386.L510	50x96	Left	Fine	50	96	M48x2	82	265	192	73,0	50	50	96	96	7860



R3387



Material

Steel 1.0718 (11SMnPb30k)
silver zinc plated.

Technical Notes

M4-M16: DIN 71 752/DIN ISO 8140.
M20: Similar to DIN 71 752/DIN ISO 8140 and according to CETOP standard.

Tips

For yellow zinc plated version see R3398.

Standard thread is right hand, (for left

hand, see R3388).

Assembly made up using R3385 clevis joint and R3435 clevis retention clip.

Important Notes

For sizes M4-M12, f and r =0,5
For sizes M14-M16, f and r =1
For sizes M20, f=1, r = 1,5
For r, radius or 45° bevelling.

Other Tolerances:-

w₄: M4-M16 = +0,3 -0,16
M20 = +0,5 -0,2
w₂: size 4x8-10x20 = B13
All others +0,7 +0,15
d₃: M4-M16 = ±0,3
l₂: size 4x8-6x12 = ±0,3
All others ±0,4
l₃: M4-M16 = ±0,2
M20 = ±0,3
r: M20 = ±0,5

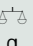
Order No.	Size	Thread (hand)	Thread type	d ₁ H9	l ₁ ±0,5	d ₂	d ₃	l ₂ ±0,5	l ₃	l ₄	w ₁ B13	w ₂	w ₃ h11	w ₄	g
R3387.R040	4x8	Right	Coarse	4	8	M4	8	21	16	6,0	4	4	8	8	5
R3387.R051	5x10	Right	Coarse	5	10	M5	9	26	20	7,5	5	5	10	10	9
R3387.R052	5x20	Right	Coarse	5	20	M5	9	36	30	7,5	5	5	10	10	13
R3387.R061	6x12	Right	Coarse	6	12	M6	10	31	24	9,0	6	6	12	12	15
R3387.R062	6x24	Right	Coarse	6	24	M6	10	43	36	9,0	6	6	12	12	21
R3387.R081	8x16	Right	Coarse	8	16	M8	14	42	32	12,0	8	8	16	16	37
R3387.R082	8x16	Right	Fine	8	16	M8x1	14	42	32	12,0	8	8	16	16	37
R3387.R083	8x32	Right	Coarse	8	32	M8	14	58	48	12,0	8	8	16	16	54
R3387.R084	8x32	Right	Fine	8	32	M8x1	14	58	48	12,0	8	8	16	16	54
R3387.R102	10x20	Right	Coarse	10	20	M10	18	52	40	15,0	10	10	20	20	74
R3387.R103	10x20	Right	Fine	10	20	M10x1,25	18	52	40	15,0	10	10	20	20	74
R3387.R104	10x40	Right	Coarse	10	40	M10	18	72	60	15,0	10	10	20	20	116
R3387.R105	10x40	Right	Fine	10	40	M10x1,25	18	72	60	15,0	10	10	20	20	116
R3387.R122	12x24	Right	Coarse	12	24	M12	20	62	48	18,0	12	12	24	24	121
R3387.R123	12x24	Right	Fine	12	24	M12x1,25	20	62	48	18,0	12	12	24	24	121
R3387.R124	12x48	Right	Coarse	12	48	M12	20	86	72	18,0	12	12	24	24	175
R3387.R125	12x48	Right	Fine	12	48	M12x1,25	20	86	72	18,0	12	12	24	24	175
R3387.R142	14x28	Right	Coarse	14	28	M14	24	72	56	22,5	14	14	27	27	178
R3387.R143	14x28	Right	Fine	14	28	M14x1,5	24	72	56	22,5	14	14	27	27	178
R3387.R145	14x56	Right	Coarse	14	56	M14	24	101	85	22,5	14	14	27	27	258

Steel Clevis Joints with Retention Clips

silver zinc plated

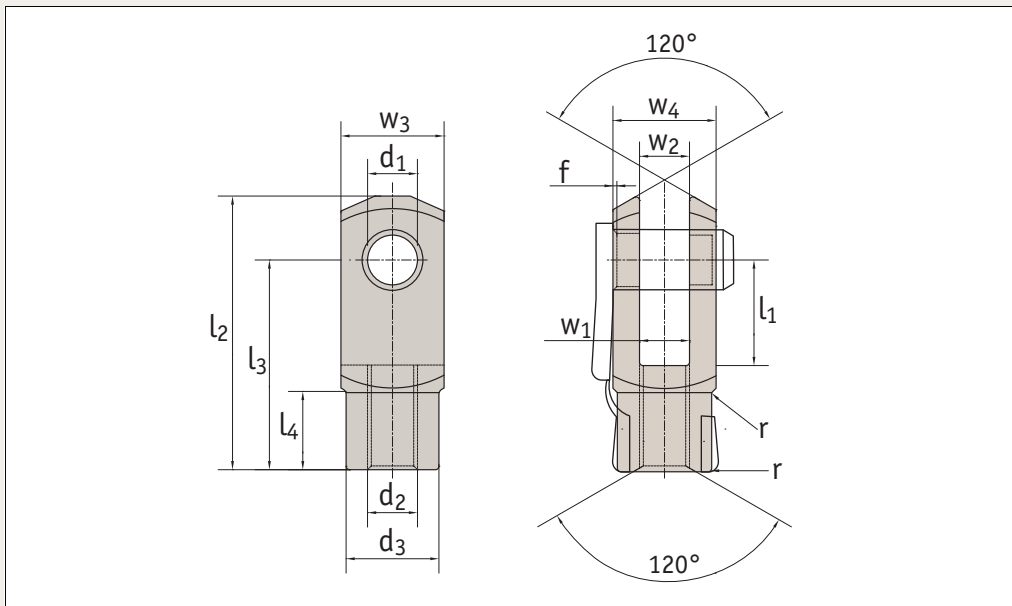
Clevis Joints



Order No.	Size	Thread (hand)	Thread type	d ₁ H9	l ₁ ±0,5	d ₂	d ₃	l ₂ ±0,5	l ₃	l ₄	w ₁ B13	w ₂	w ₃ h11	w ₄	 g
R3387.R146	14x56	Right	Fine	14	56	M14x1,5	24	101	85	22,5	14	14	27	27	258
R3387.R163	16x32	Right	Coarse	16	32	M16	26	83	64	24,0	16	16	32	32	282
R3387.R164	16x32	Right	Fine	16	32	M16x1,5	26	83	64	24,0	16	16	32	32	282
R3387.R166	16x64	Right	Coarse	16	64	M16	26	115	96	24,0	16	16	32	32	411
R3387.R167	16x64	Right	Fine	16	64	M16x1,5	26	115	96	24,0	16	16	32	32	411
R3387.R204	20x40	Right	Coarse	20	40	M20	34	105	80	30,0	20	20	40	40	550
R3387.R205	20x40	Right	Fine	20	40	M20x1,5	34	105	80	30,0	20	20	40	40	550



R3388



Material

Steel 1.0718 (11SMnPb30k)
silver zinc plated.

Technical Notes

M4-M16: DIN 71 752/DIN ISO 8140.
M20: Similar to DIN 71 752/DIN ISO 8140 and according to CETOP standard.

Tips

For yellow zinc plated version see R3399.

Assembly made up using R3386 clevis joint and R3435 clevis retention clip.

Important Notes

For sizes M4-M12, f and r = 0,5
For sizes M4-M16, f and r = 1
For sizes M20, f=1, r = 1,5
For r, radius or 45° bevelling.

Other Tolerances:-

w₄: M4-M16 = +0,3 -0,16
M20 = +0,5 -0,2
w₂: size 4x8-10x20 = B13
All others +0,7 +0,15
d₃: M4-M16 = ±0,3
l₂: size 4x8-6x12 = ±0,3
All others ±0,4
l₃: M4-M16 = ±0,2
M20 = ±0,3
r: M20 = ±0,5


Order No.	Size	Thread (hand)	Thread type	d ₁ H9	l ₁ ±0,5	d ₂	d ₃	l ₂ ±0,5	l ₃	l ₄	w ₁ B13	w ₂	w ₃ h11	w ₄	⚠ g
R3388.R040	4x8	Right	Coarse	4	8	M4	8	21	16	6,0	4	4	8	8	5
R3388.R051	5x10	Right	Coarse	5	10	M5	9	26	20	7,5	5	5	10	10	9
R3388.R052	5x20	Right	Coarse	5	20	M5	9	36	30	7,5	5	5	10	10	13
R3388.R061	6x12	Right	Coarse	6	12	M6	10	31	24	9,0	6	6	12	12	15
R3388.R062	6x24	Right	Coarse	6	24	M6	10	43	36	9,0	6	6	12	12	21
R3388.R081	8x16	Right	Coarse	8	16	M8	14	42	32	12,0	8	8	16	16	37
R3388.R082	8x16	Right	Fine	8	16	M8x1	14	42	32	12,0	8	8	16	16	37
R3388.R083	8x32	Right	Coarse	8	32	M8	14	58	48	12,0	8	8	16	16	54
R3388.R084	8x32	Right	Fine	8	32	M8x1	14	58	48	12,0	8	8	16	16	54
R3388.R102	10x20	Right	Coarse	10	20	M10	18	52	40	15,0	10	10	20	20	74
R3388.R103	10x20	Right	Fine	10	20	M10x1,25	18	52	40	15,0	10	10	20	20	74
R3388.R104	10x40	Right	Coarse	10	40	M10	18	72	60	15,0	10	10	20	20	116
R3388.R105	10x40	Right	Fine	10	40	M10x1,25	18	72	60	15,0	10	10	20	20	116
R3388.R122	12x24	Right	Coarse	12	24	M12	20	62	48	18,0	12	12	24	24	121
R3388.R123	12x24	Right	Fine	12	24	M12x1,25	20	62	48	18,0	12	12	24	24	121
R3388.R124	12x48	Right	Coarse	12	48	M12	20	86	72	18,0	12	12	24	24	175
R3388.R125	12x48	Right	Fine	12	48	M12x1,25	20	86	72	18,0	12	12	24	24	175
R3388.R142	14x28	Right	Coarse	14	28	M14	24	72	56	22,5	14	14	27	27	178
R3388.R143	14x28	Right	Fine	14	28	M14x1,5	24	72	56	22,5	14	14	27	27	178
R3388.R145	14x56	Right	Coarse	14	56	M14	24	101	85	22,5	14	14	27	27	258
R3388.R146	14x56	Right	Fine	14	56	M14x1,5	24	101	85	22,5	14	14	27	27	258

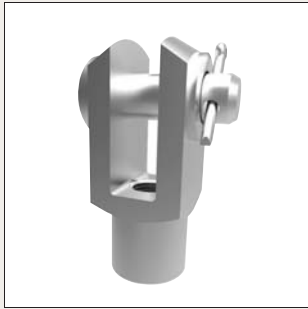
Steel Clevis Joints with Retention Clips

left hand thread - silver zinc plated

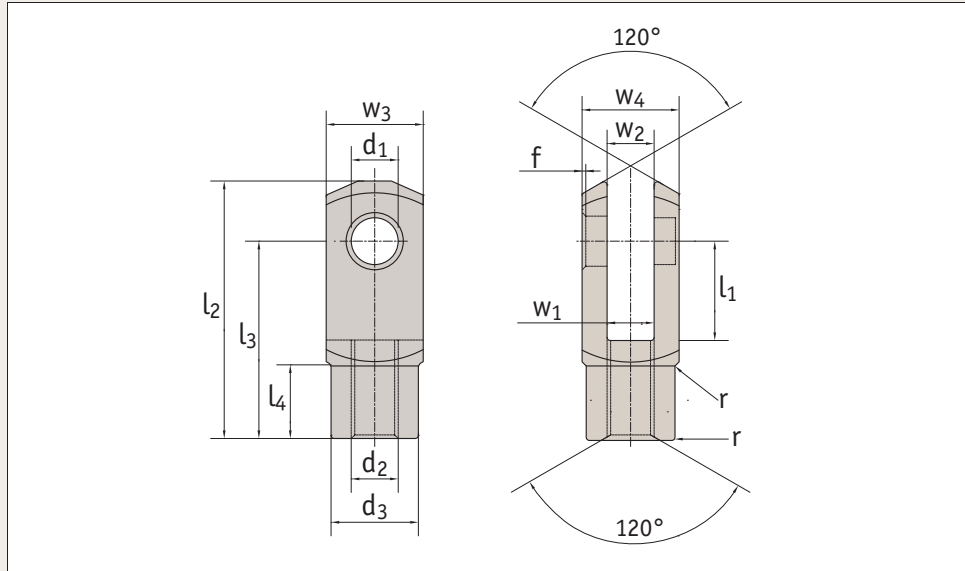
Clevis Joints



Order No.	Size	Thread (hand)	Thread type	d ₁ H9	l ₁ ±0,5	d ₂	d ₃	l ₂ ±0,5	l ₃	l ₄	w ₁ B13	w ₂	w ₃ h11	w ₄	 g
R3388.R163	16x32	Right	Course	16	32	M16	26	83	64	24,0	16	16	32	32	282
R3388.R164	16x32	Right	Fine	16	32	M16x1,5	26	83	64	24,0	16	16	32	32	282
R3388.R166	16x64	Right	Coarse	16	64	M16	26	115	96	24,0	16	16	32	32	411
R3388.R167	16x64	Right	Fine	16	64	M16x1,5	26	115	96	24,0	16	16	32	32	411
R3388.R204	20x40	Right	Coarse	20	40	M20	34	105	80	30,0	20	20	40	40	550
R3388.R205	20x40	Right	Fine	20	40	M20x1,5	34	105	80	30,0	20	20	40	40	550



R3389



Material

Steel 1.0718 (11SMnPb30K), silver zinc plated.

Technical Notes

M5-M16: DIN 71 752/DIN ISO 8140.
M18-M48: Similar to DIN 71 752/DIN ISO 8140 and according to CETOP standard.

Tips

Standard thread is right hand, (for left hand, see R3390).
Assembly is made up using R3385

clevis joint, R3455 clevis pin, P0330 washer, and P1240 split cotter pin.

Important Notes

For sizes M5-M12, f and r = 0,5
For sizes M14-M16, f and r = 1
For sizes M18-M20, f=1, r = 1,5
For M24 f and r = 1,5
For sizes M27-M30, f = 1,5, r = 2
For M36 f = 2, r = 3
For sizes M42-M48, f = 3, r = 5
For r, radius or 45° bevelling.

w₄: M4-M16 = +0,3 -0,16
M18-M48 = +0,5 -0,2
w₂: size 4x8-10x20 = B13
All others +0,7 +0,15
d₃: M4-M16 = ±0,3
l₂: size 4x8-6x12 = ±0,3
All others ±0,4
l₃: M4-M16 = ±0,2
M18-M48 = ±0,3
r: M18-M48 = ±0,5

Other Tolerances:-

Order No.	Size	Thread (hand)	Thread type	d ₁ H9	l ₁ ±0,5	d ₂	d ₃	l ₂ ±0,5	l ₃	l ₄	w ₁ B13	w ₂	w ₃ h11	w ₄	g
R3389.R051	5x10	Right	Coarse	5	10	M5	9	26	20	7,5	5	5	10	10	9
R3389.R052	5x20	Right	Coarse	5	20	M5	9	36	30	7,5	5	5	10	10	13
R3389.R061	6x12	Right	Coarse	6	12	M6	10	31	24	9,0	6	6	12	12	15
R3389.R062	6x24	Right	Coarse	6	24	M6	10	43	36	9,0	6	6	12	12	21
R3389.R081	8x16	Right	Coarse	8	16	M8	14	42	32	12,0	8	8	16	16	37
R3389.R082	8x16	Right	Fine	8	16	M8x1	14	42	32	12,0	8	8	16	16	37
R3389.R083	8x32	Right	Coarse	8	32	M8	14	58	48	12,0	8	8	16	16	54
R3389.R084	8x32	Right	Fine	8	32	M8x1	14	58	48	12,0	8	8	16	16	54
R3389.R102	10x20	Right	Coarse	10	20	M10	18	52	40	15,0	10	10	20	20	74
R3389.R103	10x20	Right	Fine	10	20	M10x1,25	18	52	40	15,0	10	10	20	20	74
R3389.R104	10x40	Right	Coarse	10	40	M10	18	72	60	15,0	10	10	20	20	116
R3389.R105	10x40	Right	Fine	10	40	M10x1,25	18	72	60	15,0	10	10	20	20	116
R3389.R122	12x24	Right	Coarse	12	24	M12	20	62	48	18,0	12	12	24	24	121
R3389.R123	12x24	Right	Fine	12	24	M12x1,25	20	62	48	18,0	12	12	24	24	121
R3389.R124	12x48	Right	Coarse	12	48	M12	20	86	72	18,0	12	12	24	24	175
R3389.R125	12x48	Right	Fine	12	48	M12x1,25	20	86	72	18,0	12	12	24	24	175
R3389.R142	14x28	Right	Coarse	14	28	M14	24	72	56	22,5	14	14	27	27	178
R3389.R143	14x28	Right	Fine	14	28	M14x1,5	24	72	56	22,5	14	14	27	27	178
R3389.R145	14x56	Right	Coarse	14	56	M14	24	101	85	22,5	14	14	27	27	258

Steel Clevis Joint with Pin

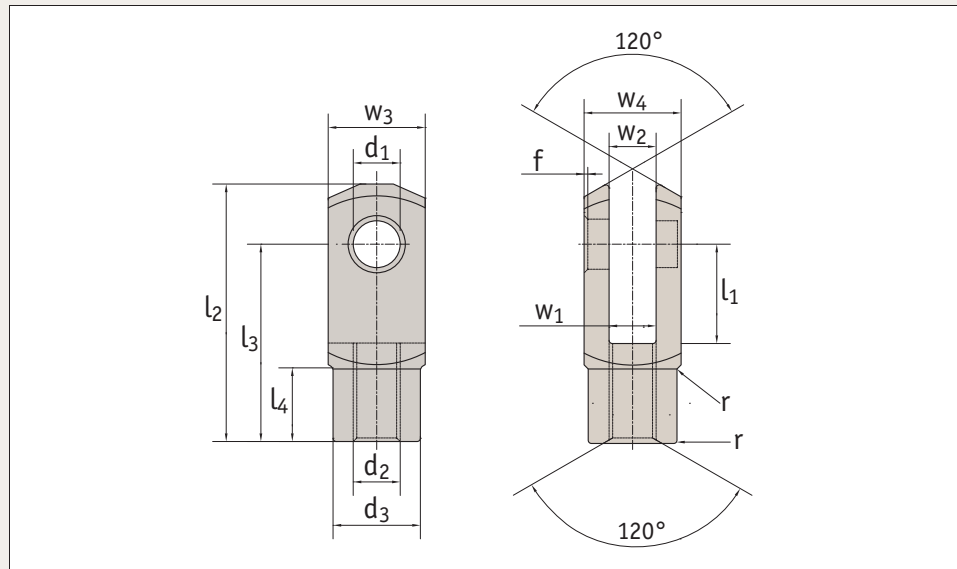
silver zinc plated

Clevis Joints

Order No.	Size	Thread (hand)	Thread type	d ₁ H9	l ₁ ±0,5	d ₂	d ₃	l ₂ ±0,5	l ₃	l ₄	w ₁ B13	w ₂	w ₃ h11	w ₄	g
R3389.R146	14x56	Right	Fine	14	56	M14x1,5	24	101	85	22,5	14	14	27	27	258
R3389.R163	16x32	Right	Coarse	16	32	M16	26	83	64	24,0	16	16	32	32	282
R3389.R164	16x32	Right	Fine	16	32	M16x1,5	26	83	64	24,0	16	16	32	32	282
R3389.R166	16x64	Right	Coarse	16	64	M16	26	115	96	24,0	16	16	32	32	411
R3389.R167	16x64	Right	Fine	16	64	M16x1,5	26	115	96	24,0	16	16	32	32	411
R3389.R183	18x36	Right	Coarse	18	36	M18	30	94	72	27,0	18	18	36	36	390
R3389.R184	18x36	Right	Fine	18	36	M18x1,5	30	94	72	27,0	18	18	36	36	390
R3389.R204	20x40	Right	Coarse	20	40	M20	34	105	80	30,0	20	20	40	40	550
R3389.R205	20x40	Right	Fine	20	40	M20x1,5	34	105	80	30,0	20	20	40	40	550
R3389.R208	20x80	Right	Coarse	20	80	M20	34	145	120	30,0	20	20	40	40	800
R3389.R209	20x80	Right	Fine	20	80	M20x1,5	34	145	120	30,0	20	20	40	40	800
R3389.R255	25x50	Right	Coarse	25	50	M24	42	132	100	36,0	25	25	50	50	1100
R3389.R256	25x50	Right	Fine	25	50	M24x2	42	132	100	36,0	25	25	50	50	1100
R3389.R285	28x56	Right	Coarse	28	56	M27	48	148	112	40,0	28	28	55	55	1500
R3389.R286	28x56	Right	Fine	28	56	M27x2	48	148	112	40,0	28	28	55	55	1500
R3389.R305	30x54	Right	Fine	30	54	M27x2	48	148	110	40,0	30	30	55	55	1440
R3389.R306	30x60	Right	Coarse	30	60	M30	52	160	120	42,0	30	30	60	60	1970
R3389.R307	30x60	Right	Fine	30	60	M30x2	52	160	120	42,0	30	30	60	60	1970
R3389.R355	35x54	Right	Fine	35	54	M36x2	60	188	144	54,0	35	35	70	70	2930
R3389.R357	35x72	Right	Coarse	35	72	M36	60	188	144	54,0	35	35	70	70	2930
R3389.R358	35x72	Right	Fine	35	72	M36x2	60	188	144	54,0	35	35	70	70	2930
R3389.R367	36x72	Right	Coarse	35	72	M36	60	188	144	54,0	36	36	70	70	2930
R3389.R368	36x72	Right	Fine	35	72	M36x2	60	188	144	54,0	36	36	70	70	2930
R3389.R408	40x84	Right	Fine	40	84	M42x2	70	232	168	63,5	40	40	85	85	5640
R3389.R428	42x84	Right	Coarse	42	84	M42	70	232	168	63,5	42	42	85	85	5340
R3389.R429	42x84	Right	Fine	42	84	M42x2	70	232	168	63,5	42	42	85	85	5340
R3389.R509	50x96	Right	Coarse	50	96	M48	82	265	192	73,0	50	50	96	96	7860
R3389.R510	50x96	Right	Fine	50	96	M48x2	82	265	192	73,0	50	50	96	96	7860



R3390



Material

Steel 1.0718 (11SMnPb30K), silver zinc plated.

Technical Notes

M5-M16: DIN 71 752/DIN ISO 8140.
M18-M48: Similar to DIN 71 752/DIN ISO 8140 and according to CETOP standard.

Tips

Assembly is made up using the R3386 clevis joint, R3455 clevis pin, P0330

washer, and P1240 split cotter pin.

Important Notes

For sizes M5-M12, f and r = 0,5
For sizes M14-M16, f and r = 1
For sizes M18-M20, f=1, r = 1,5
For M24 f and r = 1,5
For sizes M27-M30, f = 1,5, r = 2
For M36 f = 2, r = 3
For sizes M42-M48, f = 3, r = 5
For r, radius or 45° bevelling.

Other Tolerances:-

w₄: M4-M16 = +0,3 -0,16
M18-M48 = +0,5 -0,2
w₂: size 4x8-10x20 = B13
All others +0,7 +0,15
d₃: M4-M16 = ±0,3
l₂: size 4x8-6x12 = ±0,3
All others ±0,4
l₃: M4-M16 = ±0,2
M18-M48 = ±0,3
r: M18-M48 = ±0,5

Order No.	Size	Thread (hand)	Thread type	d ₁ H9	l ₁ ±0,5	d ₂	d ₃	l ₂ ±0,5	l ₃	l ₄	w ₁ B13	w ₂	w ₃ h11	w ₄	△ ⁺ _g
R3390.L051	5x10	Left	Coarse	5	10	M5	9	26	20	7,5	5	5	10	10	9
R3390.L052	5x20	Left	Coarse	5	20	M5	9	36	30	7,5	5	5	10	10	13
R3390.L061	6x12	Left	Coarse	6	12	M6	10	31	24	9,0	6	6	12	12	15
R3390.L062	6x24	Left	Coarse	6	24	M6	10	43	36	9,0	6	6	12	12	21
R3390.L081	8x16	Left	Coarse	8	16	M8	14	42	32	12,0	8	8	16	16	37
R3390.L082	8x16	Left	Fine	8	16	M8x1	14	42	32	12,0	8	8	16	16	37
R3390.L083	8x32	Left	Coarse	8	32	M8	14	58	48	12,0	8	8	16	16	54
R3390.L084	8x32	Left	Fine	8	32	M8x1	14	58	48	12,0	8	8	16	16	54
R3390.L102	10x20	Left	Coarse	10	20	M10	18	52	40	15,0	10	10	20	20	74
R3390.L103	10x20	Left	Fine	10	20	M10x1,25	18	52	40	15,0	10	10	20	20	74
R3390.L104	10x40	Left	Coarse	10	40	M10	18	72	60	15,0	10	10	20	20	116
R3390.L105	10x40	Left	Fine	10	40	M10x1,25	18	72	60	15,0	10	10	20	20	116
R3390.L122	12x24	Left	Coarse	12	24	M12	20	62	48	18,0	12	12	24	24	121
R3390.L123	12x24	Left	Fine	12	24	M12x1,25	20	62	48	18,0	12	12	24	24	121
R3390.L124	12x48	Left	Coarse	12	48	M12	20	86	72	18,0	12	12	24	24	175
R3390.L125	12x48	Left	Fine	12	48	M12x1,25	20	86	72	18,0	12	12	24	24	175
R3390.L142	14x28	Left	Coarse	14	28	M14	24	72	56	22,5	14	14	27	27	178
R3390.L143	14x28	Left	Fine	14	28	M14x1,5	24	72	56	22,5	14	14	27	27	178
R3390.L145	14x56	Left	Coarse	14	56	M14	24	101	85	22,5	14	14	27	27	258
R3390.L146	14x56	Left	Fine	14	56	M14x1,5	24	101	85	22,5	14	4	27	27	258

Steel Clevis Joints with Pin

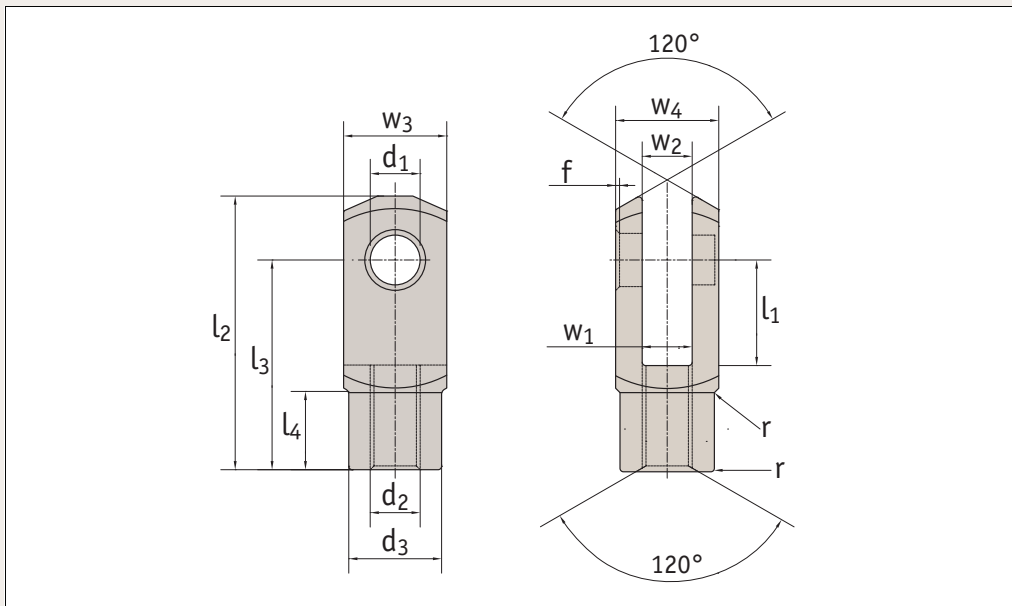
left hand thread - silver zinc plated

Clevis Joints

Order No.	Size	Thread (hand)	Thread type	d ₁ H9	l ₁ ±0,5	d ₂	d ₃	l ₂ ±0,5	l ₃	l ₄	w ₁ B13	w ₂	w ₃ h11	w ₄	g
R3390.L163	16x32	Left	Coarse	16	32	M16	26	83	64	24,0	16	16	32	32	282
R3390.L164	16x32	Left	Fine	16	32	M16x1,5	26	83	64	24,0	16	16	32	32	282
R3390.L166	16x64	Left	Coarse	16	64	M16	26	115	96	24,0	16	16	32	32	411
R3390.L167	16x64	Left	Fine	16	64	M16x1,5	26	115	96	24,0	16	16	32	32	411
R3390.L183	18x36	Left	Coarse	18	36	M18	30	94	72	27,0	18	18	36	36	390
R3390.L184	18x36	Left	Fine	18	36	M18x1,5	30	94	72	27,0	18	18	36	36	390
R3390.L204	20x40	Left	Coarse	20	40	M20	34	105	80	30,0	20	20	40	40	550
R3390.L205	20x40	Left	Fine	20	40	M20x1,5	34	105	80	30,0	20	20	40	40	550
R3390.L208	20x80	Left	Coarse	20	80	M20	34	145	120	30,0	20	20	40	40	800
R3390.L209	20x80	Left	Fine	20	80	M20x1,5	34	145	120	30,0	20	20	40	40	800
R3390.L255	25x50	Left	Coarse	25	50	M24	42	132	100	36,0	25	25	50	50	1100
R3390.L256	25x50	Left	Fine	25	50	M24x2	42	132	100	36,0	25	25	50	50	1100
R3390.L285	28x56	Left	Coarse	28	56	M27	48	148	112	40,0	28	28	55	55	1500
R3390.L286	28x56	Left	Fine	28	56	M27x2	48	148	112	40,0	28	28	55	55	1500
R3390.L305	30x54	Left	Fine	30	54	M27x2	48	148	110	40,0	30	30	55	55	1440
R3390.L306	30x60	Left	Coarse	30	60	M30	52	160	120	42,0	30	30	60	60	1970
R3390.L307	30x60	Left	Fine	30	60	M30x2	52	160	120	42,0	30	30	60	60	1970
R3390.L355	35x54	Left	Fine	35	54	M36x2	60	188	144	54,0	35	35	70	70	2930
R3390.L357	35x72	Left	Coarse	35	72	M36	60	188	144	54,0	35	35	70	70	2930
R3390.L358	35x72	Left	Fine	35	72	M36x2	60	188	144	54,0	35	35	70	70	2930
R3390.L367	36x72	Left	Coarse	35	72	M36	60	188	144	54,0	36	36	70	70	2930
R3390.L368	36x72	Left	Fine	35	72	M36x2	60	188	144	54,0	36	36	70	70	2930
R3390.L408	40x84	Left	Fine	40	84	M42x2	70	232	168	63,5	40	40	85	85	5640
R3390.L428	42x84	Left	Coarse	42	84	M42	70	232	168	63,5	42	42	85	85	5340
R3390.L429	42x84	Left	Fine	42	84	M42x2	70	232	168	63,5	42	42	85	85	5340
R3390.L509	50x96	Left	Coarse	50	96	M48	82	265	192	73,0	50	50	96	96	7860
R3390.L510	50x96	Left	Fine	50	96	M48x2	82	265	192	73,0	50	50	96	96	7860



R3393



Material

Steel 1.0718 (11SMnPb30k), yellow zinc plated.

Technical Notes

M4-M16: DIN 71 752/DIN ISO 8140.
M18-M48: Similar to DIN 71 752/DIN ISO 8140 and according to CETOP standard.

Tips

For stainless steel, see R3402.
Standard thread is right hand (for left hand, see R3394).

Important Notes

For sizes M4-M12, f and r = 0,5
For sizes M14-M16, f and r = 1
For sizes M18-M20, f=1, r = 1,5
For M24 f and r = 1,5
For sizes M27-M30, f = 1,5, r = 2
For M36 f = 2, r = 3
For sizes M42-M48, f = 3, r = 5
For r, radius or 45° bevelling.

Other Tolerances:-

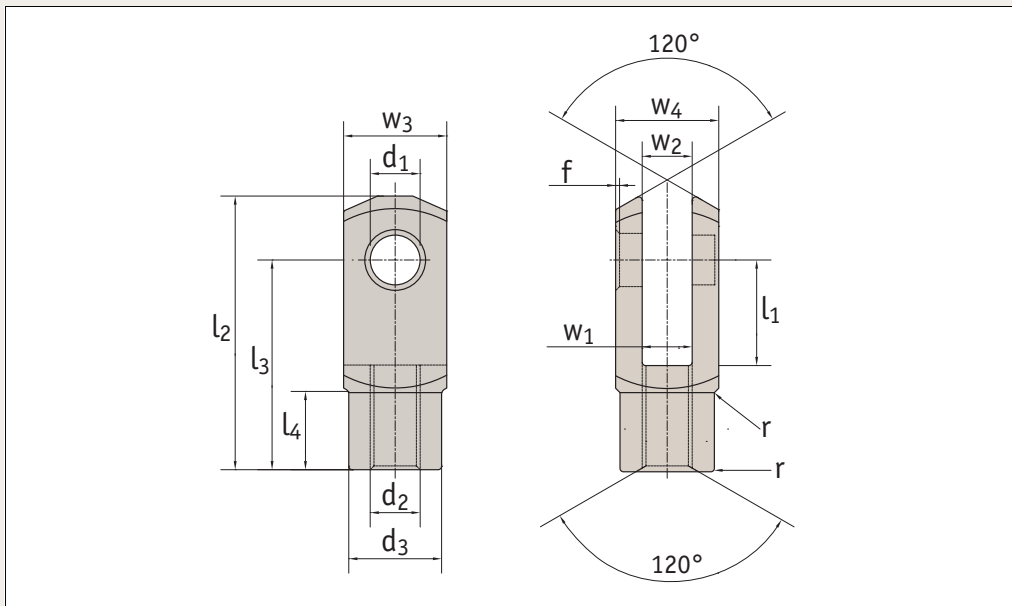
w₄: M4-M16 = +0,3 -0,16
M18-M48 = +0,5 -0,2
w₂: size 4x8-10x20 = B13
All others +0,7 +0,15
d₃: M4-M16 = ±0,3
l₂: size 4x8-6x12 = ±0,3
All others ±0,4
l₃: M4-M16 = ±0,2
M18-M48 = ±0,3
r: M18-M48 = ±0,5

Order No.	Size	Thread (hand)	Thread type	d ₁ H9	l ₁ ±0,5	d ₂	d ₃	l ₂ ±0,5	l ₃	l ₄	w ₁ B13	w ₂	w ₃ h11	w ₄	△ ⁺ △ _g
R3393.R040	4x8	Right	Coarse	4	8	M4	8	21	16	6,0	4	4	8	8	5
R3393.R041	4x16	Right	Coarse	4	16	M4	8	29	24	6,0	4	4	8	8	7
R3393.R051	5x10	Right	Coarse	5	10	M5	9	26	20	7,5	5	5	10	10	9
R3393.R052	5x20	Right	Coarse	5	20	M5	9	36	30	7,5	5	5	10	10	13
R3393.R061	6x12	Right	Coarse	6	12	M6	10	31	24	9,0	6	6	12	12	15
R3393.R062	6x24	Right	Coarse	6	24	M6	10	43	36	9,0	6	6	12	12	21
R3393.R081	8x16	Right	Coarse	8	16	M8	14	42	32	12,0	8	8	16	16	37
R3393.R082	8x16	Right	Fine	8	16	M8x1	14	42	32	12,0	8	8	16	16	37
R3393.R083	8x32	Right	Coarse	8	32	M8	14	58	48	12,0	8	8	16	16	54
R3393.R084	8x32	Right	Fine	8	32	M8x1	14	58	48	12,0	8	8	16	16	54
R3393.R102	10x20	Right	Coarse	10	20	M10	18	52	40	15,0	10	10	20	20	74
R3393.R103	10x20	Right	Fine	10	20	M10x1,25	18	52	40	15,0	10	10	20	20	74
R3393.R104	10x40	Right	Coarse	10	40	M10	18	72	60	15,0	10	10	20	20	116
R3393.R105	10x40	Right	Fine	10	40	M10x1,25	18	72	60	15,0	10	10	20	20	116
R3393.R122	12x24	Right	Coarse	12	24	M12	20	62	48	18,0	12	12	24	24	121
R3393.R123	12x24	Right	Fine	12	24	M12x1,25	20	62	48	18,0	12	12	24	24	121
R3393.R124	12x48	Right	Coarse	12	48	M12	20	86	72	18,0	12	12	24	24	175
R3393.R125	12x48	Right	Fine	12	48	M12x1,25	20	86	72	18,0	12	12	24	24	175
R3393.R142	14x28	Right	Coarse	14	28	M14	24	72	56	22,5	14	14	27	27	178

Order No.	Size	Thread (hand)	Thread type	d ₁ H9	l ₁ ±0,5	d ₂	d ₃	l ₂ ±0,5	l ₃	l ₄	W ₁ B13	w ₂	W ₃ h11	w ₄	g
R3393.R143	14x28	Right	Fine	14	28	M14x1,5	24	72	56	22,5	14	14	27	27	178
R3393.R145	14x56	Right	Coarse	14	56	M14	24	101	85	22,5	14	14	27	27	258
R3393.R146	14x56	Right	Fine	14	56	M14x1,5	24	101	85	22,5	14	14	27	27	258
R3393.R163	16x32	Right	Coarse	16	32	M16	26	83	64	24,0	16	16	32	32	282
R3393.R164	16x32	Right	Fine	16	32	M16x1,5	26	83	64	24,0	16	16	32	32	282
R3393.R166	16x64	Right	Coarse	16	64	M16	26	115	96	24,0	16	16	32	32	411
R3393.R167	16x64	Right	Fine	16	64	M16x1,5	26	115	96	24,0	16	16	32	32	411
R3393.R204	20x40	Right	Coarse	20	40	M20	34	105	80	30,0	20	20	40	40	550
R3393.R205	20x40	Right	Fine	20	40	M20x1,5	34	105	80	30,0	20	20	40	40	550
R3393.R255	25x50	Right	Coarse	25	50	M24	42	132	100	36,0	25	25	50	50	1100
R3393.R256	25x50	Right	Fine	25	50	M24x2	42	132	100	36,0	25	25	50	50	1100
R3393.R305	30x54	Right	Fine	30	54	M27x2	48	148	110	40,0	30	30	55	55	1440
R3393.R306	30x60	Right	Coarse	30	60	M30	52	160	120	42,0	30	30	60	60	1970
R3393.R307	30x60	Right	Fine	30	60	M30x2	52	160	120	42,0	30	30	60	60	1970
R3393.R355	35x54	Right	Fine	35	54	M36x2	60	188	144	54,0	35	35	70	70	2930
R3393.R357	35x72	Right	Coarse	35	72	M36	60	188	144	54,0	35	35	70	70	2930
R3393.R358	35x72	Right	Fine	35	72	M36x2	60	188	144	54,0	35	35	70	70	2930
R3393.R367	36x72	Right	Coarse	35	72	M36	60	188	144	54,0	36	36	70	70	2930
R3393.R368	36x72	Right	Fine	35	72	M36x2	60	188	144	54,0	36	36	70	70	2930
R3393.R408	40x84	Right	Fine	40	84	M42x2	70	232	168	63,5	40	40	85	85	5640
R3393.R428	42x84	Right	Coarse	42	84	M42	70	232	168	63,5	42	42	85	85	5340
R3393.R429	42x84	Right	Fine	42	84	M42x2	70	232	168	63,5	42	42	85	85	5340
R3393.R509	50x96	Right	Coarse	50	96	M48	82	265	192	73,0	50	50	96	96	7860
R3393.R510	50x96	Right	Fine	50	96	M48x2	82	265	192	73,0	50	50	96	96	7860



R3394



Material

Steel 1.0718 (11SMnPb30k), yellow zinc plated.

Technical Notes

M4-M16: DIN 71 752/DIN ISO 8140.
M18-M48: Similar to DIN 71 752/DIN ISO 8140 and according to CETOP standard.

Tips

For stainless steel, see part number R3403.

Important Notes

For sizes M4-M12, f and r = 0,5
For sizes M14-M16, f and r = 1
For sizes M18-M20, f=1, r = 1,5
For M24 f and r = 1,5
For sizes M27-M30, f = 1,5, r = 2
For M36 f = 2, r = 3
For sizes M42-M48, f = 3, r = 5
For r, radius or 45° bevelling.

Other Tolerances:-

w₄: M4-M16 = +0,3 -0,16
M18-M48 = +0,5 -0,2
w₂: size 4x8-10x20 = B13
All others +0,7 +0,15
d₃: M4-M16 = ±0,3
l₂: size 4x8-6x12 = ±0,3
All others ±0,4
l₃: M4-M16 = ±0,2
M18-M48 = ±0,3
r: M18-M48 = ±0,5

Order No.	Size	Thread (hand)	Thread type	d ₁ H9	l ₁ ±0,5	d ₂	d ₃	l ₂ ±0,5	l ₃	l ₄	w ₁ B13	w ₂	w ₃ h11	w ₄	g
R3394.L040	4x8	Left	Coarse	4	8	M4	8	21	16	6,0	4	4	8	8	5
R3394.L041	4x16	Left	Coarse	4	16	M4	8	29	24	6,0	4	4	8	8	7
R3394.L051	5x10	Left	Coarse	5	10	M5	9	26	20	7,5	5	5	10	10	9
R3394.L052	5x20	Left	Coarse	5	20	M5	9	36	30	7,5	5	5	10	10	13
R3394.L061	6x12	Left	Coarse	6	12	M6	10	31	24	9,0	6	6	12	12	15
R3394.L062	6x24	Left	Coarse	6	24	M6	10	43	36	9,0	6	6	12	12	21
R3394.L081	8x16	Left	Coarse	8	16	M8	14	42	32	12,0	8	8	16	16	37
R3394.L082	8x16	Left	Fine	8	16	M8x1	14	42	32	12,0	8	8	16	16	37
R3394.L083	8x32	Left	Coarse	8	32	M8	14	58	48	12,0	8	8	16	16	54
R3394.L084	8x32	Left	Fine	8	32	M8x1	14	58	48	12,0	8	8	16	16	54
R3394.L102	10x20	Left	Coarse	10	20	M10	18	52	40	15,0	10	10	20	20	74
R3394.L103	10x20	Left	Fine	10	20	M10x1,25	18	52	40	15,0	10	10	20	20	74
R3394.L104	10x40	Left	Coarse	10	40	M10	18	72	60	15,0	10	10	20	20	116
R3394.L105	10x40	Left	Fine	10	40	M10x1,25	18	72	60	15,0	10	10	20	20	116
R3394.L122	12x24	Left	Coarse	12	24	M12	20	62	48	18,0	12	12	24	24	121
R3394.L123	12x24	Left	Fine	12	24	M12x1,25	20	62	48	18,0	12	12	24	24	121
R3394.L124	12x48	Left	Coarse	12	48	M12	20	86	72	18,0	12	12	24	24	175
R3394.L125	12x48	Left	Fine	12	48	M12x1,25	20	86	72	18,0	12	12	24	24	175
R3394.L142	14x28	Left	Coarse	14	28	M14	24	72	56	22,5	14	14	27	27	178
R3394.L143	14x28	Left	Fine	14	28	M14x1,5	24	72	56	22,5	14	14	27	27	178

Steel Clevis Joints

left hand thread - yellow zinc plated

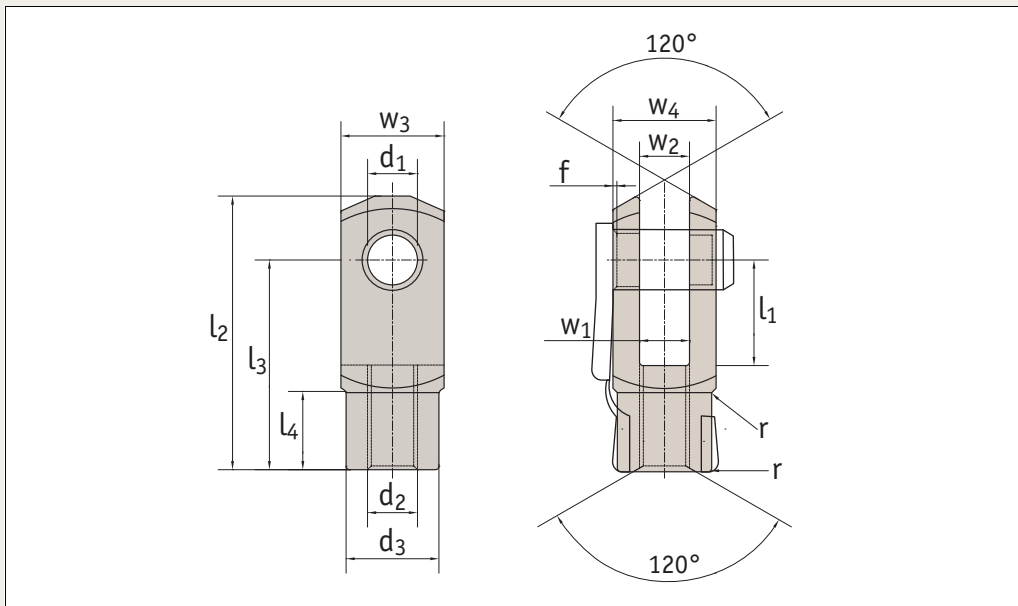
Clevis Joints



Order No.	Size	Thread (hand)	Thread type	d ₁ H9	l ₁ ±0,5	d ₂	d ₃	l ₂ ±0,5	l ₃	l ₄	W ₁ B13	W ₂	W ₃ h11	W ₄	g
R3394.L145	14x56	Left	Coarse	14	56	M14	24	101	85	22,5	14	14	27	27	258
R3394.L146	14x56	Left	Fine	14	56	M14x1,5	24	101	85	22,5	14	14	27	27	258
R3394.L163	16x32	Left	Coarse	16	32	M16	26	83	64	24,0	16	16	32	32	282
R3394.L164	16x32	Left	Fine	16	32	M16x1,5	26	83	64	24,0	16	16	32	32	282
R3394.L166	16x64	Left	Coarse	16	64	M16	26	115	96	24,0	16	16	32	32	411
R3394.L167	16x64	Left	Fine	16	64	M16x1,5	26	115	96	24,0	16	16	32	32	411
R3394.L183	18x36	Left	Coarse	18	36	M18	30	94	72	27,0	18	18	36	36	390
R3394.L184	18x36	Left	Fine	18	36	M18x1,5	30	94	72	27,0	18	18	36	36	390
R3394.L204	20x40	Left	Coarse	20	40	M20	34	105	80	30,0	20	20	40	40	550
R3394.L205	20x40	Left	Fine	20	40	M20x1,5	34	105	80	30,0	20	20	40	40	550
R3394.L208	20x80	Left	Coarse	20	80	M20	34	145	120	30,0	20	20	40	40	800
R3394.L209	20x80	Left	Fine	20	80	M20x1,5	34	145	120	30,0	20	20	40	40	800
R3394.L255	25x50	Left	Coarse	25	50	M24	42	132	100	36,0	25	25	50	50	1100
R3394.L256	25x50	Left	Fine	25	50	M24x2	42	132	100	36,0	25	25	50	50	1100
R3394.L285	28x56	Left	Coarse	28	56	M27	48	148	112	40,0	28	28	55	55	1500
R3394.L286	28x56	Left	Fine	28	56	M27x2	48	148	112	40,0	28	28	55	55	1500
R3394.L305	30x54	Left	Fine	30	54	M27x2	48	148	110	40,0	30	30	55	55	1440
R3394.L306	30x60	Left	Coarse	30	60	M30	52	160	120	42,0	30	30	60	60	1970
R3394.L307	30x60	Left	Fine	30	60	M30x2	52	160	120	42,0	30	30	60	60	1970
R3394.L355	35x54	Left	Fine	35	54	M36x2	60	188	144	54,0	35	35	70	70	2930
R3394.L357	35x72	Left	Coarse	35	72	M36	60	188	144	54,0	35	35	70	70	2930
R3394.L358	35x72	Left	Fine	35	72	M36x2	60	188	144	54,0	35	35	70	70	2930
R3394.L367	36x72	Left	Coarse	35	72	M36	60	188	144	54,0	36	36	70	70	2930
R3394.L368	36x72	Left	Fine	35	72	M36x2	60	188	144	54,0	36	36	70	70	2930
R3394.L408	40x84	Left	Fine	40	84	M42x2	70	232	168	63,5	40	40	85	85	5640
R3394.L428	42x84	Left	Coarse	42	84	M42	70	232	168	63,5	42	42	85	85	5340
R3394.L429	42x84	Left	Fine	42	84	M42x2	70	232	168	63,5	42	42	85	85	5340
R3394.L509	50x96	Left	Coarse	50	96	M48	82	265	192	73,0	50	50	96	96	7860
R3394.L510	50x96	Left	Fine	50	96	M48x2	82	265	192	73,0	50	50	96	96	7860



R3398



Material

Steel 1.0718 (11SMnPb30k), yellow zinc plated.

Technical Notes

M4-M16: DIN 71 752/DIN ISO 8140.
M20: Similar to DIN 71 752/DIN ISO 8140 and according to CETOP standard.

Tips

Standard thread is right hand, (for left hand, see R3399).
Assembly made up using R3393 clevis joint and R3436 clevis retention clip.

Important Notes

For sizes M4-M12, f and r = 0,5
For sizes M14-M16, f and r = 1
For sizes M20, f=1, r = 1,5
For r, radius or 45° bevelling.

Other Tolerances:-

w₄: M4-M16 = +0,3 -0,16
M20 = +0,5 -0,2
w₂: size 4x8-10x20 = B13
All others +0,7 +0,15
d₃: M4-M16 = ±0,3
l₂: size 4x8-6x12 = ±0,3
All others ±0,4
l₃: M4-M16 = ±0,2
M20 = ±0,3
r: M20 = ±0,5

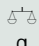
Order No.	Size	Thread (hand)	Thread type	d ₁ H9	l ₁ ±0,5	d ₂	d ₃	l ₂ ±0,5	l ₃	l ₄	w ₁ B13	w ₂	w ₃ h11	w ₄	Δ±g
R3398.R040	4x8	Right	Coarse	4	8	M4	8	21	16	6,0	4	4	8	8	5
R3398.R051	5x10	Right	Coarse	5	10	M5	9	26	20	7,5	5	5	10	10	9
R3398.R052	5x20	Right	Coarse	5	20	M5	9	36	30	7,5	5	5	10	10	13
R3398.R061	6x12	Right	Coarse	6	12	M6	10	31	24	9,0	6	6	12	12	15
R3398.R062	6x24	Right	Coarse	6	24	M6	10	43	36	9,0	6	6	12	12	21
R3398.R081	8x16	Right	Coarse	8	16	M8	14	42	32	12,0	8	8	16	16	37
R3398.R082	8x16	Right	Fine	8	16	M8x1	14	42	32	12,0	8	8	16	16	37
R3398.R083	8x32	Right	Coarse	8	32	M8	14	58	48	12,0	8	8	16	16	54
R3398.R084	8x32	Right	Fine	8	32	M8x1	14	58	48	12,0	8	8	16	16	54
R3398.R102	10x20	Right	Coarse	10	20	M10	18	52	40	15,0	10	10	20	20	74
R3398.R103	10x20	Right	Fine	10	20	M10x1,25	18	52	40	15,0	10	10	20	20	74
R3398.R104	10x40	Right	Coarse	10	40	M10	18	72	60	15,0	10	10	20	20	116
R3398.R105	10x40	Right	Fine	10	40	M10x1,25	18	72	60	15,0	10	10	20	20	116
R3398.R122	12x24	Right	Coarse	12	24	M12	20	62	48	18,0	12	12	24	24	121
R3398.R123	12x24	Right	Fine	12	24	M12x1,25	20	62	48	18,0	12	12	24	24	121
R3398.R124	12x48	Right	Coarse	12	48	M12	20	86	72	18,0	12	12	24	24	175
R3398.R125	12x48	Right	Fine	12	48	M12x1,25	20	86	72	18,0	12	12	24	24	175
R3398.R142	14x28	Right	Coarse	14	28	M14	24	72	56	22,5	14	14	27	27	178
R3398.R143	14x28	Right	Fine	14	28	M14x1,5	24	72	56	22,5	14	14	27	27	178
R3398.R145	14x56	Right	Coarse	14	56	M14	24	101	85	22,5	14	14	27	27	258
R3398.R146	14x56	Right	Fine	14	56	M14x1,5	24	101	85	22,5	14	14	27	27	258

Steel Clevis Joints with Retention Clips

yellow zinc plated

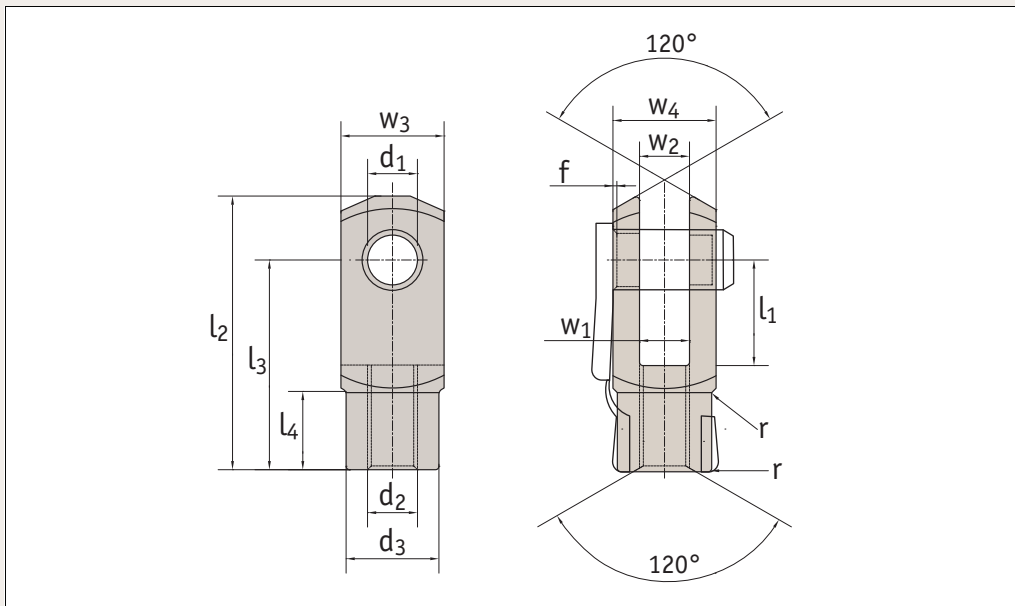
Clevis Joints



Order No.	Size	Thread (hand)	Thread type	d ₁ H9	l ₁ ±0,5	d ₂	d ₃	l ₂ ±0,5	l ₃	l ₄	w ₁ B13	w ₂	w ₃ h11	w ₄	 g
R3398.R163	16x32	Right	Coarse	16	32	M16	26	83	64	24,0	16	16	32	32	282
R3398.R164	16x32	Right	Fine	16	32	M16x1,5	26	83	64	24,0	16	16	32	32	282
R3398.R166	16x64	Right	Coarse	16	64	M16	26	115	96	24,0	16	16	32	32	411
R3398.R167	16x64	Right	Fine	16	64	M16x1,5	26	115	96	24,0	16	16	32	32	411
R3398.R204	20x40	Right	Coarse	20	40	M20	34	105	80	30,0	20	20	40	40	550
R3398.R205	20x40	Right	Fine	20	40	M20x1,5	34	105	80	30,0	20	20	40	40	550



R3399



Material

Steel 1.0718 (11SMnPb30k), yellow zinc plated.

Technical Notes

M4-M16: DIN 71 752/DIN ISO 8140.
M20: Similar to DIN 71 752/DIN ISO 8140 and according to CETOP standard.

Tips

Assembly made up using R3394 clevis joint and R3436 clevis retention clip.

Important Notes

For sizes M4-M12, f and r = 0,5.
For sizes M14-M16, f and r = 1
For sizes M20, f=1, r = 1,5
For r, radius or 45° bevelling.

Other Tolerances:-

w₄: M4-M16 = +0,3 -0,16
M20 = +0,5 -0.2
w₂: size 4x8-10x20 = B13
All others +0,7 +0,15
d₃: M4-M16 = ±0,3
l₂: size 4x8-6x12 = ±0,3
All others ±0,4
l₃: M20 = ±0,2
M20 = ±0,3
r: M18-M48 = ±0,5


Order No.	Size	Thread (hand)	Thread type	d ₁ H9	l ₁ ±0,5	d ₂	d ₃	l ₂ ±0,5	l ₃	l ₄	w ₁ B13	w ₂	w ₃ h11	w ₄	g
R3399.L040	4x8	Left	Coarse	4	8	M4	8	21	16	6,0	4	4	8	8	5
R3399.L051	5x10	Left	Coarse	5	10	M5	9	26	20	7,5	5	5	10	10	9
R3399.L052	5x20	Left	Coarse	5	20	M5	9	36	30	7,5	5	5	10	10	13
R3399.L061	6x12	Left	Coarse	6	12	M6	10	31	24	9,0	6	6	12	12	15
R3399.L062	6x24	Left	Coarse	6	24	M6	10	43	36	9,0	6	6	12	12	21
R3399.L081	8x16	Left	Coarse	8	16	M8	14	42	32	12,0	8	8	16	16	37
R3399.L082	8x16	Left	Fine	8	16	M8x1	14	42	32	12,0	8	8	16	16	37
R3399.L083	8x32	Left	Coarse	8	32	M8	14	58	48	12,0	8	8	16	16	54
R3399.L084	8x32	Left	Fine	8	32	M8x1	14	58	48	12,0	8	8	16	16	54
R3399.L102	10x20	Left	Coarse	10	20	M10	18	52	40	15,0	10	10	20	20	74
R3399.L103	10x20	Left	Fine	10	20	M10x1,25	18	52	40	15,0	10	10	20	20	74
R3399.L104	10x40	Left	Coarse	10	40	M10	18	72	60	15,0	10	10	20	20	116
R3399.L105	10x40	Left	Fine	10	40	M10x1,25	18	72	60	15,0	10	10	20	20	116
R3399.L122	12x24	Left	Coarse	12	24	M12	20	62	48	18,0	12	12	24	24	121
R3399.L123	12x24	Left	Fine	12	24	M12x1,25	20	62	48	18,0	12	12	24	24	121
R3399.L124	12x48	Left	Coarse	12	48	M12	20	86	72	18,0	12	12	24	24	175
R3399.L125	12x48	Left	Fine	12	48	M12x1,25	20	86	72	18,0	12	12	24	24	175
R3399.L142	14x28	Left	Coarse	14	28	M14	24	72	56	22,5	14	14	27	27	178
R3399.L143	14x28	Left	Fine	14	28	M14x1,5	24	72	56	22,5	14	14	27	27	178
R3399.L145	14x56	Left	Coarse	14	56	M14	24	101	85	22,5	14	14	27	27	258

Steel Clevis Joints with Retention Clips

left hand thread - yellow zinc plated

Clevis Joints



Order No.	Size	Thread (hand)	Thread type	d ₁ H9	l ₁ ±0,5	d ₂	d ₃	l ₂ ±0,5	l ₃	l ₄	w ₁ B13	w ₂	w ₃ h11	w ₄	 g
R3399.L146	14x56	Left	Fine	14	56	M14x1,5	24	101	85	22,5	14	14	27	27	258
R3399.L163	16x32	Left	Coarse	16	32	M16	26	83	64	24,0	16	16	32	32	282
R3399.L164	16x32	Left	Fine	16	32	M16x1,5	26	83	64	24,0	16	16	32	32	282
R3399.L166	16x64	Left	Coarse	16	64	M16	26	115	96	24,0	16	16	32	32	411
R3399.L167	16x64	Left	Fine	16	64	M16x1,5	26	115	96	24,0	16	16	32	32	411
R3399.L204	20x40	Left	Coarse	20	40	M20	34	105	80	30,0	20	20	40	40	550
R3399.L205	20x40	Left	Fine	20	40	M20x1,5	34	105	80	30,0	20	20	40	40	550