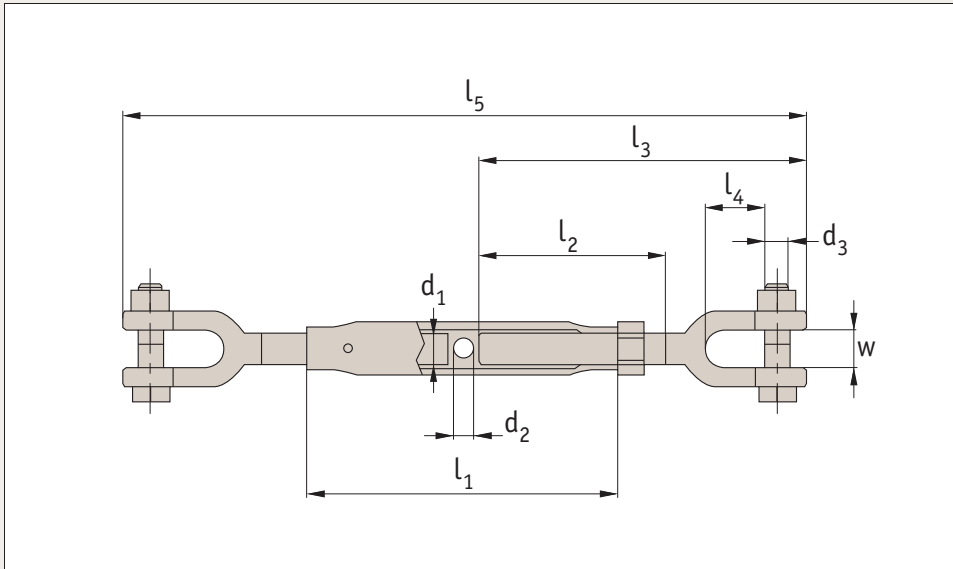


SPRINGFIX[®] LINKAGES

...our linkages, your solution

Turnbuckles





R3820

Material

Steel body (1.0037), jaws (1.0503).
Zinc plated (hot dip galvanized).

Technical Notes

To DIN 1478.

Tips

Turnbuckles consist of a metal frame with right hand thread one end and left hand thread the other end. Used for tensioning by rotating turnbuckle body

without twisting attached rope or cable.

Important Notes

Turnbuckles are not to be used for lifting.

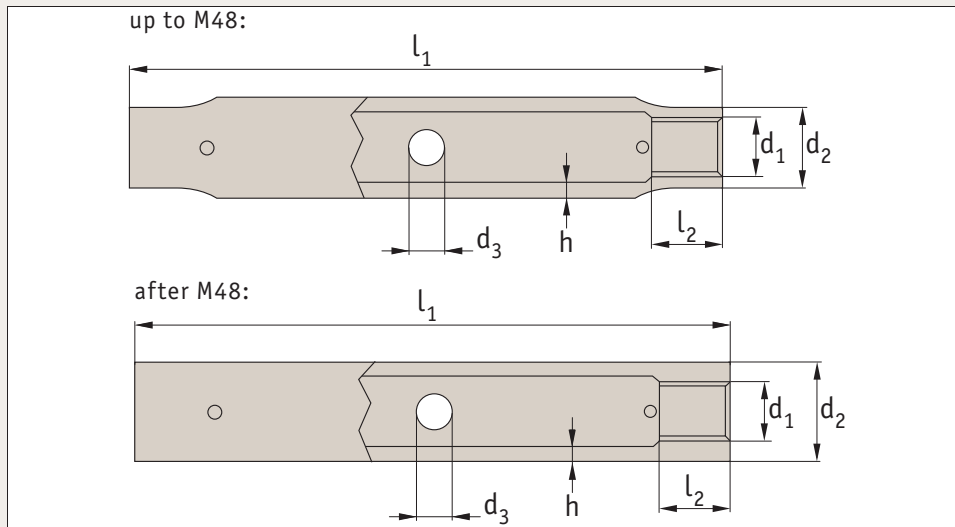
Only suitable for use in tension.

Order No.	d_1	l_1	d_2	d_3	l_2	l_3	l_4	l_5 min	l_5 max	w	$\delta \pm$ Kg
R3820.008	M 8	110	8,5	8,5	68	125	28,75	258	343	9,0	0,30
R3820.010	M10	125	8,5	8,5	82	139	29,25	287	382	10,7	0,43
R3820.012	M12	125	10,5	10,5	90	160	44,75	331	421	15,5	0,69
R3820.016	M16	170	10,5	12,5	102	186	45,25	382	502	20,0	1,31
R3820.020	M20	200	12,5	17,0	115	205	59,5	422	562	23,5	2,02
R3820.024	M24	255	12,5	20,5	125	240	62,75	493	673	26,0	3,9
R3820.030	M30	255	16,5	25,0	150	290	89,5	613	773	34,0	7,01

Pipe Body Turnbuckles

steel

Turnbuckles



R3800

Material

Steel (1.0037 up to M48 then 1.0052).
Zinc plated (hot dip galvanized).

Technical Notes

To DIN 1478.

Tips

Turnbuckles consist of a metal frame with right hand thread one end and left hand thread the other end. Used for tensioning by rotating turnbuckle body

without twisting attached rope or cable.

Important Notes

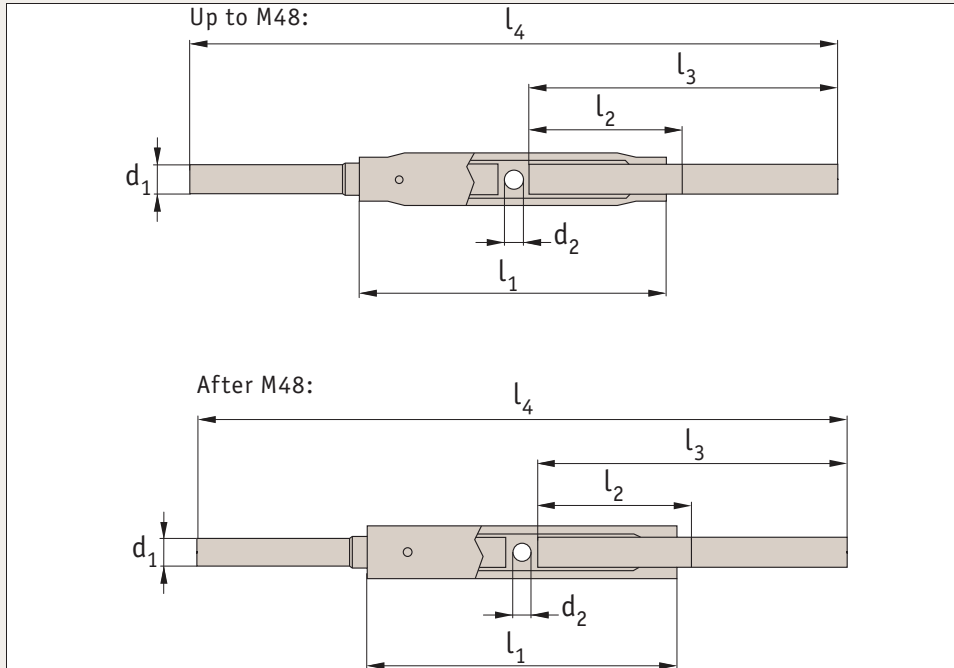
Turnbuckles are not to be used for lifting.
Only suitable for use in tension.

Order No.	d_1	l_1	l_2	d_2	d_3 min	d_3 max	h	Adjustment	$\Delta \pm$ Kg
R3800.006	M 6	110	7,5	17,2	5,7	6,3	2,9	90	0,13
R3800.008	M 8	110	10	17,2	7,5	8,5	3,6	85	0,13
R3800.010	M10	125	12	21,3	7,5	8,5	4,0	95	0,18
R3800.012	M12	125	15	25,0	9,5	10,5	4,0	90	0,25
R3800.016	M16	170	20	30,0	9,5	10,5	4,5	120	0,45
R3800.020	M20	200	24	33,7	11,5	12,5	5,0	140	0,56
R3800.024	M24	255	29	42,4	11,5	12,5	5,6	180	1,08
R3800.030	M30	255	36	51,0	15,5	16,5	6,3	160	1,61
R3800.036	M36	295	43	63,5	15,5	16,5	8,0	180	2,35
R3800.042	M42	330	51	70,0	19,5	20,5	8,8	200	4,30
R3800.048	M48	355	58	82,5	19,5	20,5	10,0	210	5,50
R3800.056	M56	355	68	90,0	24,5	25,5	15,0	190	9,60
R3800.064	M64	425	77	100	24,5	25,5	16	240	14,00
R3800.072	M72x6	425	87	110	29,5	30,5	17	210	17,00
R3800.080	M80x6	440	96	120	29,5	30,5	18	210	21,00

Stud End Pipe Body Turnbuckles

steel

Turnbuckles



R3804

Material

Steel (1.0037 up to M48 then 1.0052).
Zinc plated (hot dip galvanized).

Technical Notes

To DIN 1478.

Tips

Turnbuckles consist of a metal frame with right hand thread one end and left hand thread the other end. Used for tensioning by rotating turnbuckle body

without twisting attached rope or cable.

Important Notes

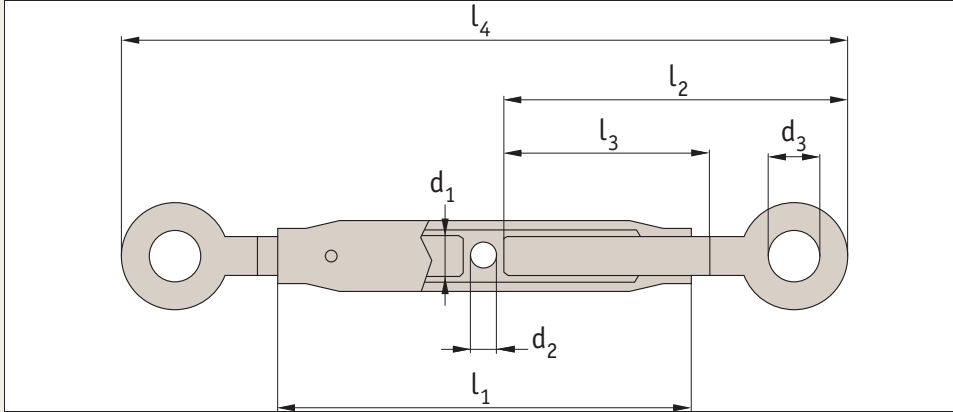
Turnbuckles are not to be used for lifting.
Only suitable for use in tension.

Order No.	d ₁	l ₁	d ₂	l ₂	l ₃	l ₄ min	l ₄ max	Δ±Kg
R3804.006	M 6	110	6	60	120	246	336	0,17
R3804.008	M 8	110	8	65	120	248	333	0,20
R3804.010	M10	125	8	75	150	309	404	0,32
R3804.012	M12	125	10	75	150	311	401	0,45
R3804.016	M16	170	10	100	200	410	530	0,97
R3804.020	M20	200	12	120	220	452	592	1,48
R3804.024	M24	255	12	150	260	533	713	2,62
R3804.030	M30	255	16	160	260	537	697	4,01
R3804.036	M36	295	16	180	300	617	797	6,35
R3804.042	M42	330	20	200	350	720	920	10,50
R3804.048	M48	355	20	220	380	781	991	14,30
R3804.056	M56	355	25	230	380	785	975	21,60
R3804.064	M64	425	25	300	425	875	1015	32,40
R3804.072	M72	425	30	270	400	831	1041	42,00
R3804.080	M80	440	30	270	400	830	1040	51,00

Eye End Pipe Body Turnbuckles

steel

Turnbuckles



R3808

Material

Steel (1.0037).
Zinc plated (hot dip galvanized).

Technical Notes

To DIN 1478.

Tips

Turnbuckles consist of a metal frame with right hand thread one end and left hand thread the other end. Used for tensioning by rotating turnbuckle body

without twisting attached rope or cable.

Important Notes

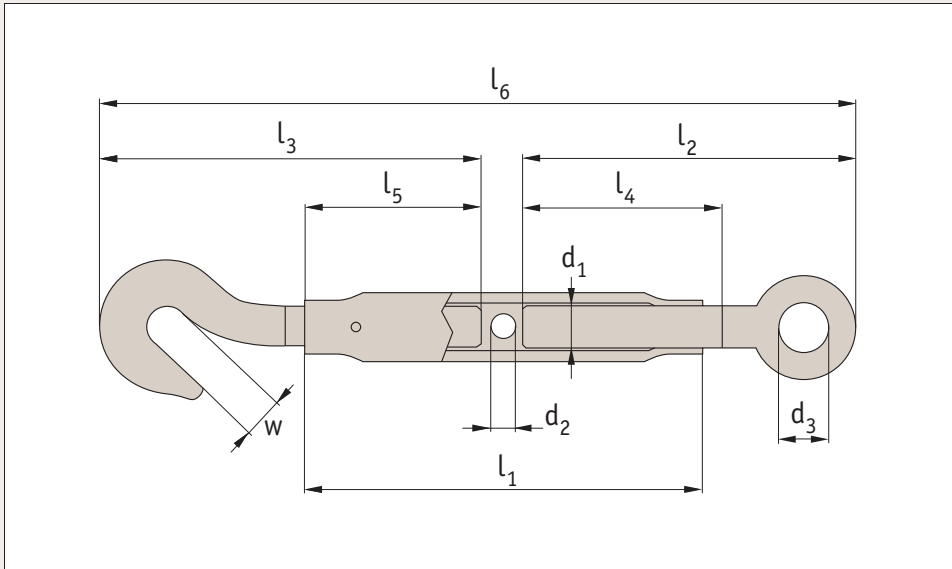
Turnbuckles are not to be used for lifting.
Only suitable for use in tension.

Order No.	d_1	l_1	d_2	d_3	l_2	l_3	l_4 min	l_4 max	$\Delta \pm \Delta$ Kg
R3808.006	M 6	110	6	10	74	50	154	244	0,16
R3808.008	M 8	110	8	11	80	52	168	253	0,18
R3808.010	M10	125	8	15	95	59	199	294	0,28
R3808.012	M12	125	10	17	107	66	225	315	0,42
R3808.016	M16	170	10	22	146	85	302	422	0,91
R3808.020	M20	200	12	24	170	100	352	492	1,36
R3808.024	M24	255	12	33	213	134	437	619	2,60
R3808.030	M30	255	16	39	255	150	527	687	3,75
R3808.036	M36	295	16	37	260	150	537	717	6,35
R3808.042	M42	330	20	48	285	165	590	790	10,50
R3808.048	M48	355	20	58	335	185	691	901	15,50

Hook & Eye Pipe Body Turnbuckles

steel

Turnbuckles



R3812

Material

Steel (1.0037).
Zinc plated (hot dip galvanized).

Technical Notes

To DIN 1478.

Tips

Turnbuckles consist of a metal frame with right hand thread one end and left hand thread the other end. Used for tensioning by rotating turnbuckle body

without twisting attached rope or cable.

Important Notes

Turnbuckles are not to be used for lifting.

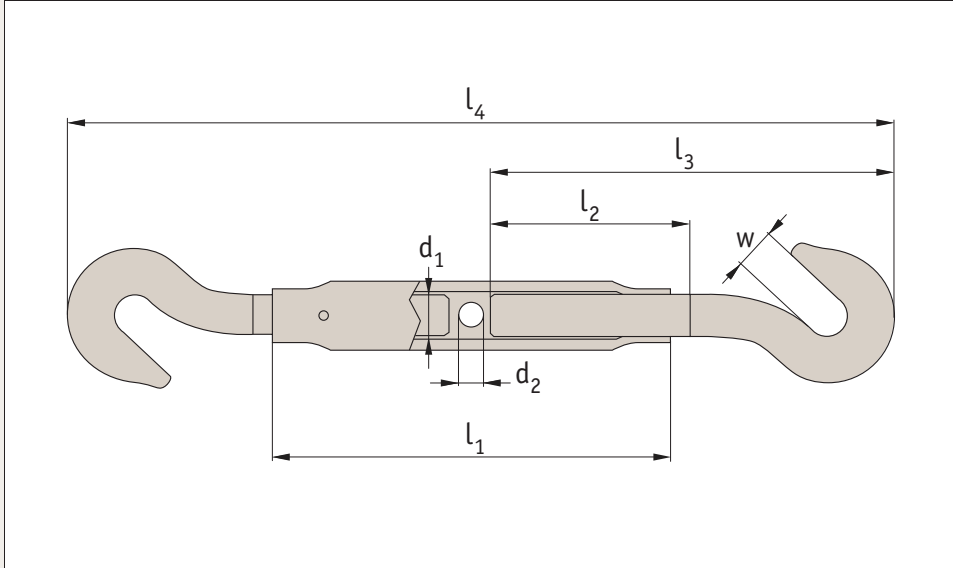
Only suitable for use in tension.

Order No.	d ₁	l ₁	d ₂	d ₃	l ₂	l ₃	l ₄	l ₅	l ₆ min	l ₆ max	w	Δ± Kg
R3812.006	M 6	110	6	10	74	77,0	50	50	157	247	9,5	0,16
R3812.008	M 8	110	8	11	80	98,0	52	60	186	271	11,0	0,19
R3812.010	M10	125	8	15	95	116,5	59	73	220	315	14,0	0,29
R3812.012	M12	125	10	17	107	146,0	66	90	264	354	18,0	0,45
R3812.016	M16	170	10	22	146	165,0	85	100	321	441	19,0	0,96
R3812.020	M20	200	12	24	170	180,0	100	105	362	502	21,0	1,38
R3812.024	M24	255	12	33	213	225,0	134	135	450	630	29,0	2,73
R3812.030	M30	255	16	39	255	255,0	150	140	527	687	31,0	3,92
R3812.036	M36	295	16	37	260	300,0	150	170	577	757	35,0	6,60

Hook End Pipe Body Turnbuckles

steel

Turnbuckles



R3816

Material

Steel (1.0037).
Zinc plated (hot dip galvanized).

Technical Notes

To DIN 1478.

Tips

Turnbuckles consist of a metal frame with right hand thread one end and left hand thread the other end. Used for tensioning by rotating turnbuckle body

without twisting attached rope or cable.

Important Notes

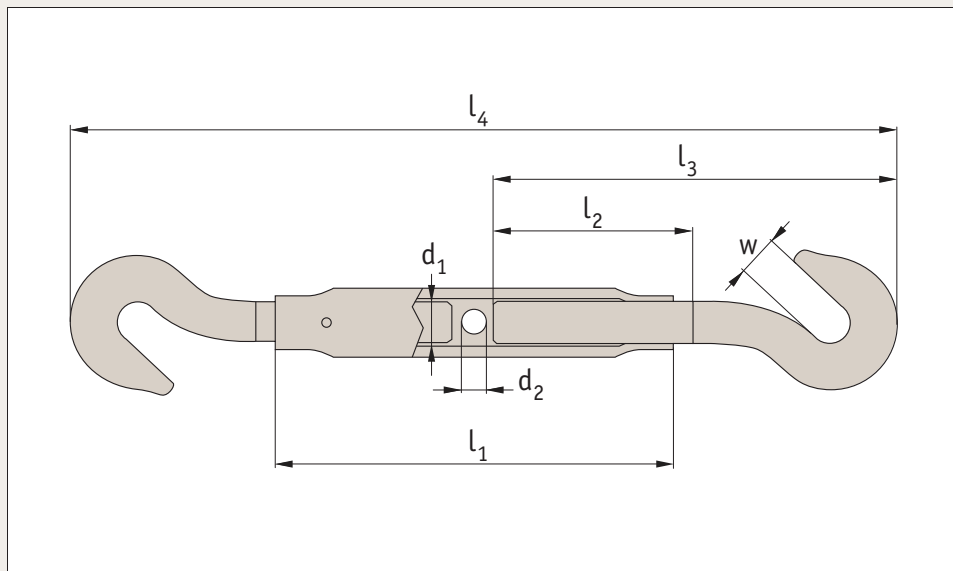
Turnbuckles are not to be used for lifting.

Only suitable for use in tension.

Order No.	d_1	l_1	d_2	l_2	l_3	l_4 min	l_4 max	w	$\Delta \pm$ Kg
R3816.006	M 6	110	6	50	77,0	160	250	9,5	0,16
R3816.008	M 8	110	8	60	98,0	204	289	11,0	0,20
R3816.010	M10	125	8	73	116,5	241	336	14,0	0,30
R3816.012	M12	125	10	90	146,0	303	393	18,0	0,47
R3816.016	M16	170	10	100	165,0	340	460	19,0	1,01
R3816.020	M20	200	12	105	180,0	372	512	21,0	1,40
R3816.024	M24	255	12	135	225,0	463	543	29,0	2,86
R3816.030	M30	255	16	140	225,0	527	687	31,0	4,09
R3816.036	M36	295	16	170	300,0	617	697	35,0	6,85



R3818



Material

Stainless steel (A4)

Technical Notes

To DIN 1478.

Tips

Turnbuckles consist of a metal frame with right hand thread one end and left hand thread the other end. Used for tensioning by rotating turnbuckle body

without twisting attached rope or cable.

Important Notes

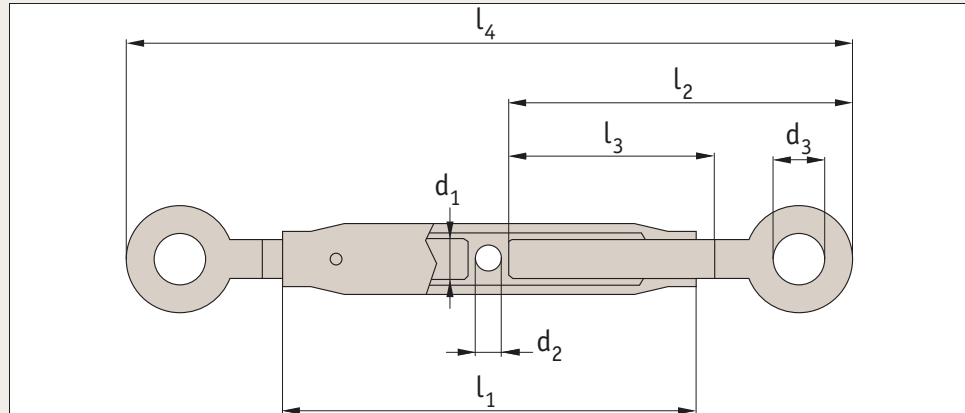
Turnbuckles are not to be used for lifting.

Only suitable for use in tension.

Order No.	d ₁	l ₁	d ₂	l ₂	l ₃	l ₄ min	l ₄ max	w	Δ±Δ Kg
R3818.006	M 6	110	6	50	77,0	160	250	9,5	0,16
R3818.008	M 8	110	8	60	98,0	204	289	11,0	0,20
R3818.010	M10	125	8	73	116,5	241	336	14,0	0,30
R3818.012	M12	125	10	90	146,0	303	393	18,0	0,47
R3818.016	M16	170	10	100	165,0	340	460	19,0	1,01



R3810



Material

Stainless steel (A4)

Technical Notes

To DIN 1478.

Tips

Turnbuckles consist of a metal frame with right hand thread one end and left hand thread the other end. Used for tensioning by rotating turnbuckle body

without twisting attached rope or cable.

Important Notes

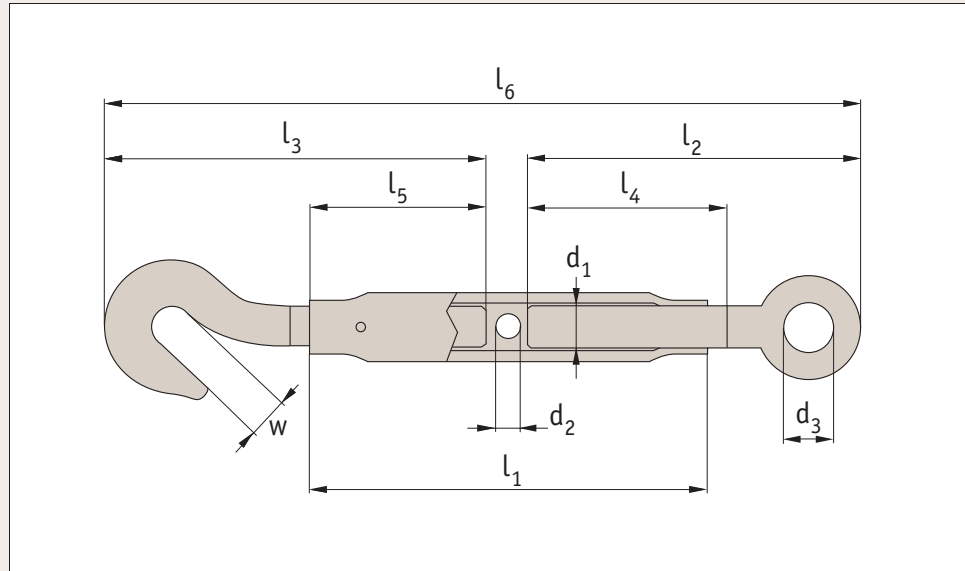
Turnbuckles are not to be used for lifting.

Only suitable for use in tension.

Order No.	d ₁	l ₁	d ₂	d ₃	l ₂	l ₃	l ₄ min	l ₄ max	Δ [±] Kg
R3810.006	M 6	110	6	10	74	50	154	244	0,16
R3810.008	M 8	110	8	11	80	52	168	253	0,18
R3810.010	M10	125	8	15	95	59	199	294	0,28
R3810.012	M12	125	10	17	107	66	225	315	0,42
R3810.016	M16	170	10	22	146	85	302	422	0,91
R3810.020	M20	200	12	24	170	100	352	492	1,36



R3814



Material

Stainless steel (A4)

Technical Notes

To DIN 1478.

Tips

Turnbuckles consist of a metal frame with right hand thread one end and left hand thread the other end. Used for tensioning by rotating turnbuckle body

without twisting attached rope or cable.

Important Notes

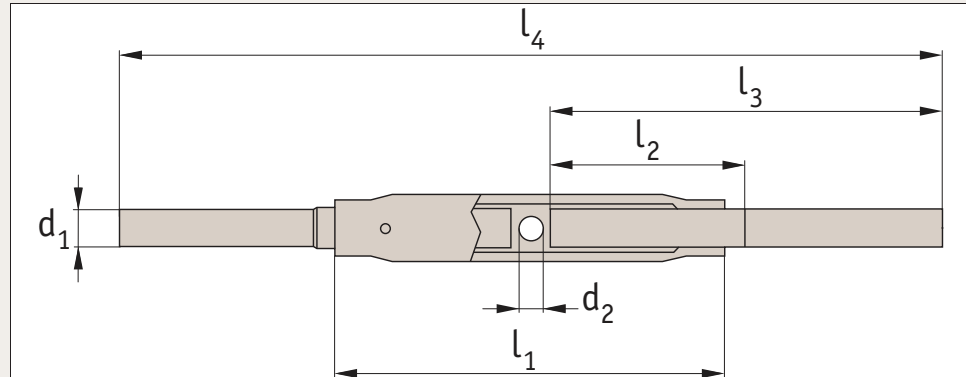
Turnbuckles are not to be used for lifting.

Only suitable for use in tension.

Order No.	d ₁	l ₁	d ₂	d ₃	l ₂	l ₃	l ₄	l ₅	l ₆ min	l ₆ max	w	Δ±Δ Kg
R3814.006	M 6	110	6	10	74	77,0	50	50	157	247	9,5	0,16
R3814.008	M 8	110	8	11	80	98,0	52	60	186	271	11,0	0,19
R3814.010	M10	125	8	15	95	116,5	59	73	220	315	14,0	0,29
R3814.012	M12	125	10	17	107	146,0	66	90	264	354	18,0	0,45
R3814.016	M16	170	10	22	146	165,0	85	100	321	441	19,0	0,96



R3806



Material

Stainless steel (A4)

Technical Notes

To DIN 1478.

Tips


Turnbuckles consist of a metal frame with right hand thread one end and left hand thread the other end. Used for tensioning by rotating turnbuckle body

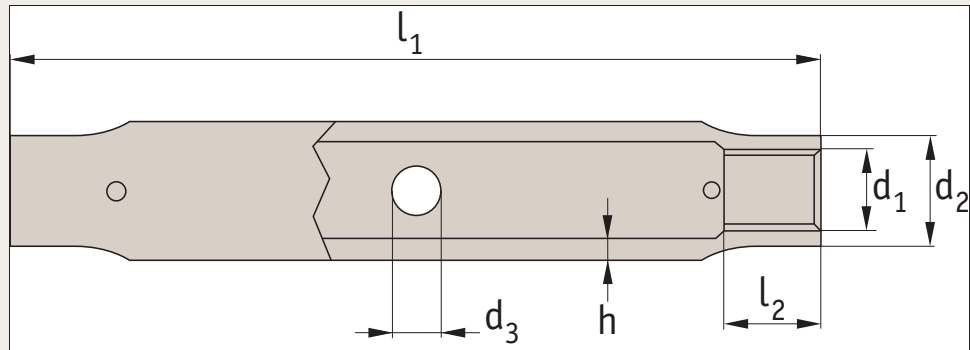
without twisting attached rope or cable.

Important Notes

Turnbuckles are not to be used for lifting.

Only suitable for use in tension.

Order No.	d ₁	l ₁	d ₂	l ₂	l ₃	l ₄ min	l ₄ max	 Kg
R3806.006	M 6	110	6	60	120	246	336	0,17
R3806.008	M 8	110	8	65	120	248	333	0,20
R3806.010	M10	125	8	75	150	309	404	0,32
R3806.012	M12	125	10	75	150	311	401	0,45
R3806.016	M16	170	10	100	200	410	530	0,97
R3806.020	M20	200	12	120	220	452	592	1,48
R3806.024	M24	255	12	150	260	533	713	2,62
R3806.030	M30	255	16	160	260	537	697	4,01
R3806.036	M36	295	16	180	300	617	797	6,35



R3802

Material

Stainless steel (A4).

Technical Notes

To DIN 1478.

Tips

Turnbuckles consist of a metal frame with right hand thread one end and left hand thread the other end. Used for tensioning by rotating turnbuckle body

without twisting attached rope or cable.

Important Notes

Turnbuckles are not to be used for lifting.

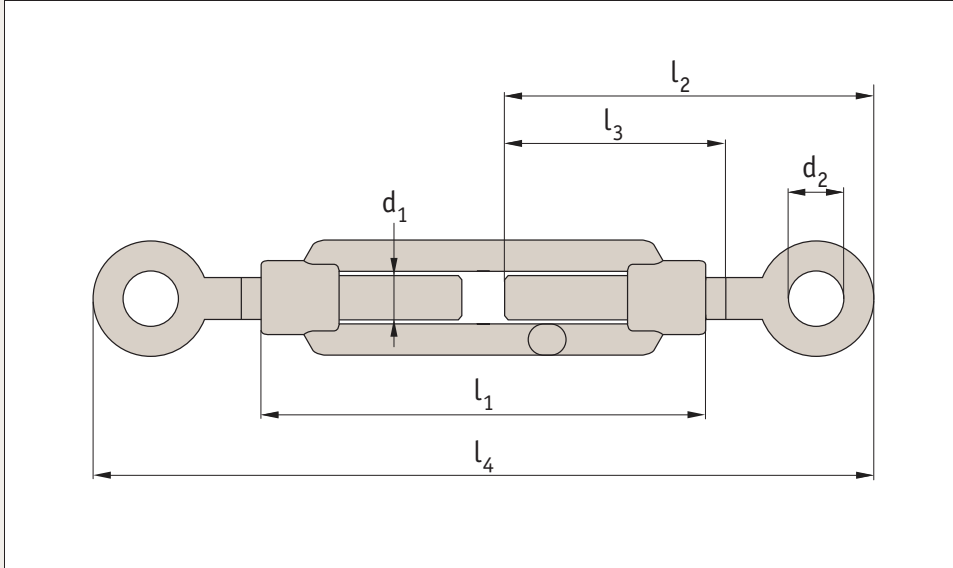
Only suitable for use in tension.

Order No.	d ₁	l ₁	l ₂	d ₂	d _{3 min}	d _{3 max}	h	Adjustment	δ ₃ Kg
R3802.006	M 6	110	7,5	17,2	5,7	6,3	2,9	90	0,13
R3802.008	M 8	110	10	17,2	7,5	8,5	3,6	85	0,13
R3802.010	M10	125	12	21,3	7,5	8,5	4,0	95	0,18
R3802.012	M12	125	15	25,0	9,5	10,5	4,0	90	0,25
R3802.016	M16	170	20	30,0	9,5	10,5	4,5	120	0,45
R3802.020	M20	200	24	33,7	11,5	12,5	5,0	140	0,56
R3802.024	M24	255	29	42,4	11,5	12,5	5,6	180	1,08
R3802.030	M30	255	36	51,0	15,5	16,5	6,3	160	1,61
R3802.036	M36	295	43	63,5	15,5	16,5	8,0	180	2,35

Eye End Turnbuckles

steel

Turnbuckles



R3840

Material

Steel (1.0037).
Zinc plated (hot dip galvanized).

Technical Notes

To DIN 1480 eye to eye.

Tips

Turnbuckles consist of a metal frame with right hand thread one end and left hand thread the other end. Used for tensioning by rotating turnbuckle body

without twisting attached rope or cable.

Important Notes

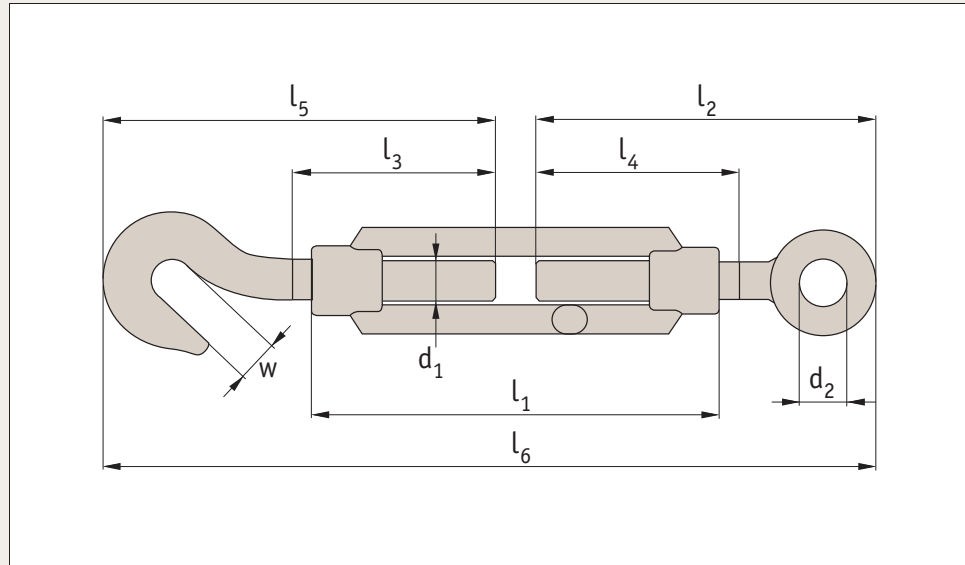
Turnbuckles are not to be used for lifting.

Only suitable for use in tension.

Order No.	d ₁	l ₁	l ₂	l ₃	l ₄ min	l ₄ max	d ₂	Δ± Kg
R3840.006	M 6	110	74	50	148	228	10	0,09
R3840.008	M 8	110	80	52	160	235	11	0,14
R3840.010	M10	125	95	59	191	276	15	0,25
R3840.012	M12	125	107	66	215	295	17	0,37
R3840.016	M16	170	146	85	292	402	22	0,90
R3840.020	M20	200	170	100	340	470	24	1,62
R3840.024	M24	255	213	134	427	597	33	2,72
R3840.030	M30	255	255	150	511	671	39	3,94
R3840.036	M36	295	260	150	521	701	37	7,20
R3840.042	M42	330	285	165	570	770	48	10,70
R3840.048	M48	355	335	185	671	866	58	19,10



R3850



Material

Steel (1.0037).
Zinc plated (hot dip galvanized).

Technical Notes

To DIN 1480 hook & eye.

Tips

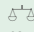
Turnbuckles consist of a metal frame with right hand thread one end and left hand thread the other end. Used for tensioning by rotating turnbuckle body

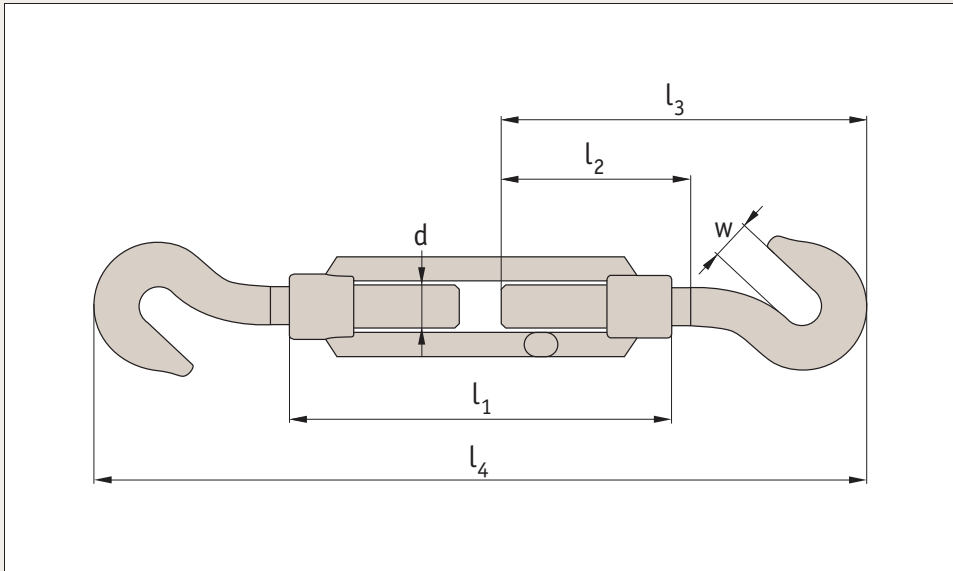
without twisting attached rope or cable.

Important Notes

Turnbuckles are not to be used for lifting.

Only suitable for use in tension.

Order No.	d ₁	l ₁	l ₂	l ₃	l ₄	l ₅	l ₆ min	l ₆ max	d ₂	w	 Kg
R3850.006	M 6	110	74	50	50	77,0	151	231	10	8,0	0,09
R3850.008	M 8	110	80	60	52	98,0	172	253	11	10,0	0,15
R3850.010	M10	125	95	73	59	116,5	212	297	15	12,5	0,26
R3850.012	M12	125	107	90	66	146,0	264	344	17	16,0	0,40
R3850.016	M16	170	146	100	85	165,0	311	421	22	16,0	0,95
R3850.020	M20	200	170	105	100	180,0	350	480	24	18,0	1,64
R3850.024	M24	255	213	135	120	225,0	439	609	33	30,0	2,85
R3850.030	M30	255	255	140	135	255,0	511	671	39	30,0	4,11
R3850.036	M36	295	260	170	140	300,0	561	741	37	32,0	7,45



R3844

Material

Steel (1.0037).
Zinc plated (hot dip galvanized).

Technical Notes

To DIN 1480 hook to hook.

Tips

Turnbuckles consist of a metal frame with right hand thread one end and left hand thread the other end. Used for tensioning by rotating turnbuckle body

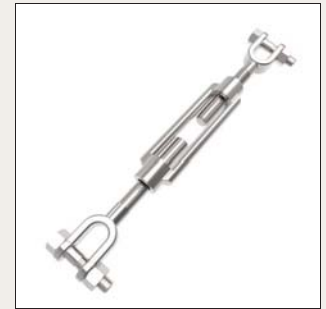
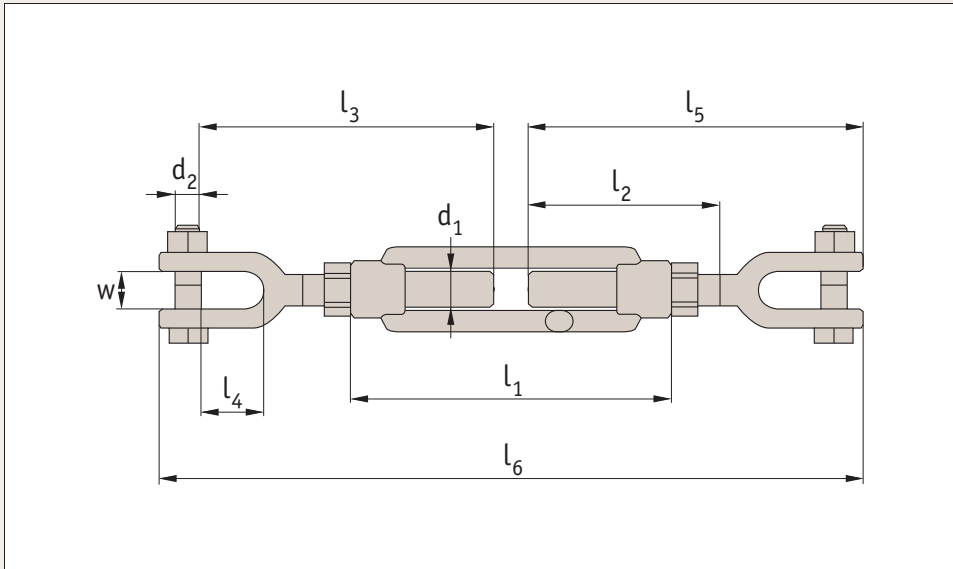
without twisting attached rope or cable.

Important Notes

Turnbuckles are not to be used for lifting.

Only suitable for use in tension.

Order No.	d	l ₁	l ₂	l ₃	l ₄ min	l ₄ max	w	Δ± Kg
R3844.006	M 6	110	50	77,0	154	234	8,0	0,09
R3844.008	M 8	110	60	98,0	196	271	10,0	0,16
R3844.010	M10	125	73	116,5	233	318	12,5	0,27
R3844.012	M12	125	90	146,0	293	373	16,0	0,42
R3844.016	M16	170	100	165,0	330	440	16,0	1,00
R3844.020	M20	200	105	180,0	360	490	18,0	1,66
R3844.024	M24	255	135	225,0	451	621	30,0	2,98
R3844.030	M30	255	140	255,0	451	611	30,0	4,28
R3844.036	M36	295	170	300,0	601	781	32,0	7,70



R3848

Material

Steel body (1.0037), jaws (1.0503).
Zinc plated (hot dip galvanized).

Technical Notes

To DIN 1480 jaw to jaw.

Tips

Turnbuckles consist of a metal frame with right hand thread one end and left hand thread the other end. Used for tensioning by rotating turnbuckle body

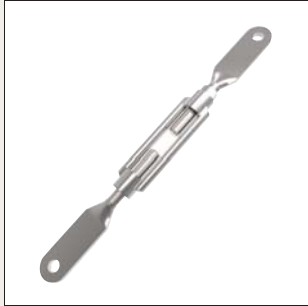
without twisting attached rope or cable.

Important Notes

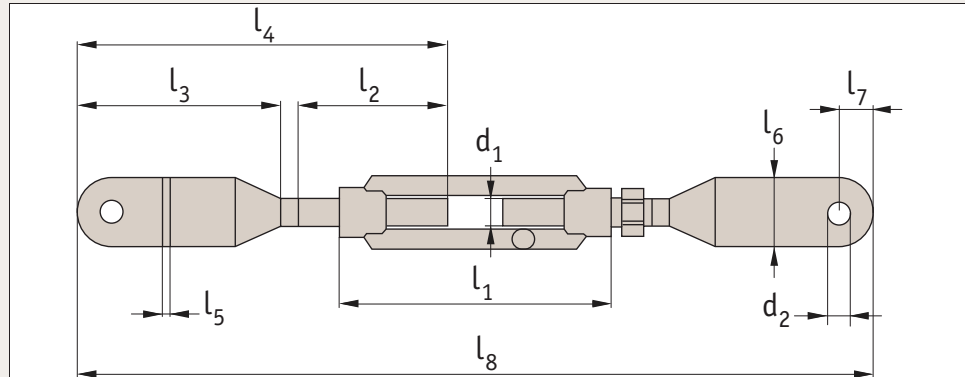
Turnbuckles are not to be used for lifting.

Only suitable for use in tension.

Order No.	d ₁	l ₁	l ₂	l ₃	l ₄	d ₂	l ₅	l ₆ min	l ₆ max	w	Δ± Kg
R3848.008	M 8	110	68	116	28,75	8,5	125	250	325	9,0	0,14
R3848.010	M10	125	82	130	29,25	8,5	139	279	364	10,7	0,26
R3848.012	M12	125	90	150	44,75	10,5	160	321	401	15,5	0,40
R3848.016	M16	170	102	172	45,25	12,5	186	372	482	20,0	0,64
R3848.020	M20	200	115	185	59,50	17,5	205	410	540	23,5	1,30
R3848.024	M24	255	125	215	62,75	20,5	240	481	651	29,0	2,28
R3848.030	M30	255	150	255	89,50	25,5	290	581	741	34,0	4,02



R3838



Material

Steel (1.0037).
Zinc plated (hot dip galvanized).

Technical Notes

To DIN 1480 plain ends.

Tips


Turnbuckles consist of a metal frame with right hand thread one end and left hand thread the other end. Used for tensioning by rotating turnbuckle body

without twisting attached rope or cable.

Important Notes

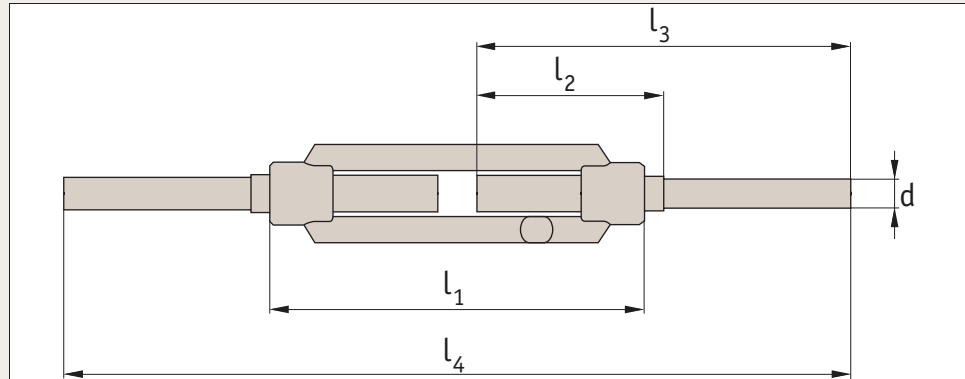
Turnbuckles are not to be used for lifting.

Only suitable for use in tension.

Order No.	d ₁	l ₁	l ₂	l ₃	l ₄	l ₅	l ₆	l ₇	l ₈ min	l ₈ max	d ₂	 Kg
R3838.008	M 8	110	75	50	125	4	20	11	250	325	9,0	0,19
R3838.010	M10	110	90	60	150	4	25	13	300	385	10,5	0,30
R3838.012	M12	125	91	74	165	5	30	16	331	411	13,0	0,48
R3838.016	M16	125	105	135	240	8	40	20	481	591	14,0	1,14
R3838.020	M20	200	105	135	240	9	44	26	480	610	17,0	1,84
R3838.024	M24	255	160	145	305	10	70	43	611	781	22,0	3,10



R3834



Material

Steel (1.0037).
Zinc plated (hot dip galvanized).

Technical Notes

To DIN 1480 stub end.

Tips

Turnbuckles consist of a metal frame with right hand thread one end and left hand thread the other end. Used for tensioning by rotating turnbuckle body

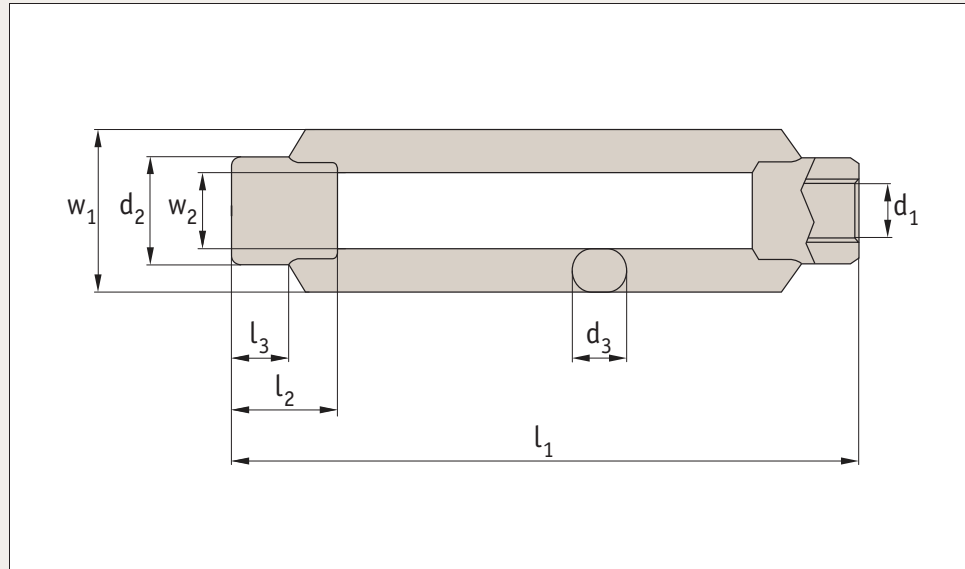
without twisting attached rope or cable.

Important Notes

Turnbuckles are not to be used for lifting.

Only suitable for use in tension.

Order No.	d	l ₁	l ₂	l ₃	l ₄ min	l ₄ max	△ Kg
R3834.006	M 6	110	60	120	240	320	0,10
R3834.008	M 8	110	65	120	240	315	0,16
R3834.010	M10	125	75	150	301	386	0,30
R3834.012	M12	125	75	150	301	381	0,40
R3834.016	M16	170	100	200	400	510	0,96
R3834.020	M20	200	120	220	440	570	1,74
R3834.024	M24	255	150	260	521	691	2,74
R3834.030	M30	255	160	260	521	681	4,20
R3834.036	M36	295	180	300	601	781	7,20
R3834.042	M42	330	200	350	700	900	10,70
R3834.048	M48	355	220	380	761	956	17,90
R3834.056	M56	355	230	380	761	956	20,00

**R3830****Material**

Steel (1.0037).
Zinc plated (hot dip galvanized).

Technical Notes

To DIN 1480.

Tips

Turnbuckles consist of a metal frame with right hand thread one end and left hand thread the other end. Used for tensioning by rotating turnbuckle body

without twisting attached rope or cable.

Important Notes

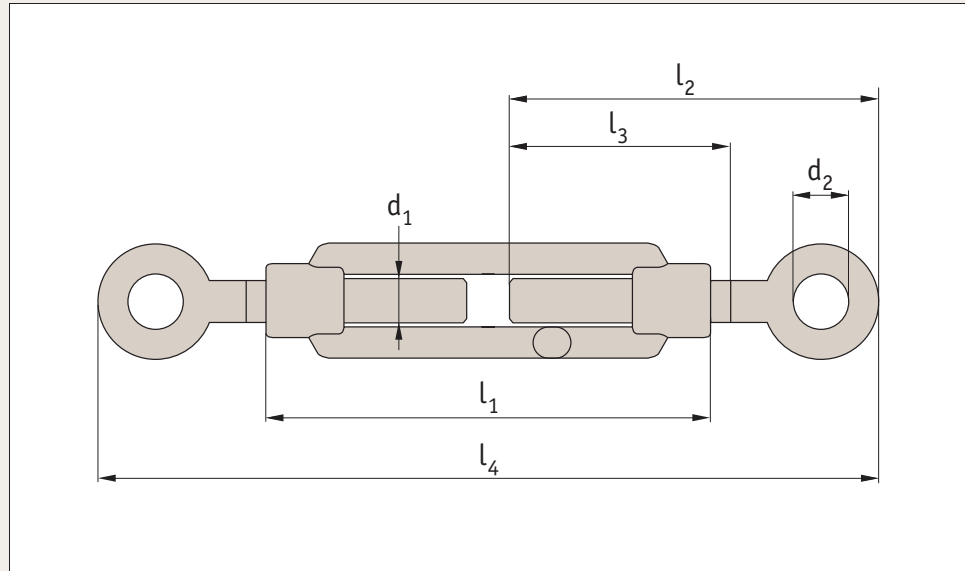
Turnbuckles are not to be used for lifting.

Only suitable for use in tension.

Order No.	d ₁	l ₁	l ₂	l ₃	d ₂	d ₃	w ₁	w ₂	Adjustment	Δ±Kg
R3830.006	M 6	110	12	6	12	6	19	9	80	0,06
R3830.008	M 8	110	15	8	15	8	23	11	75	0,09
R3830.010	M10	125	18	9	18	9	30	14	85	0,15
R3830.012	M12	125	21	11	21	11	34	16	80	0,20
R3830.016	M16	170	27	14	27	14	42	20	110	0,44
R3830.020	M20	200	34	17	34	17	52	24	130	0,44
R3830.024	M24	255	39	20	39	20	60	28	170	1,20
R3830.030	M30	255	45	23	45	23	74	34	160	1,80
R3830.036	M36	295	55	28	55	28	86	40	180	3,20
R3830.042	M42	330	63	32	63	32	104	50	200	4,50
R3830.048	M48	355	78	39	80	40	135	65	195	9,10
R3830.056	M56	355	78	39	80	40	135	65	195	8,00



R3842



Material

Stainless steel (A4).

Technical Notes

To DIN 1480 eye to eye.

Tips

Turnbuckles consist of a metal frame with right hand thread one end and left hand thread the other end. Used for tensioning by rotating turnbuckle body

without twisting attached rope or cable.

Important Notes

Turnbuckles are not to be used for lifting.

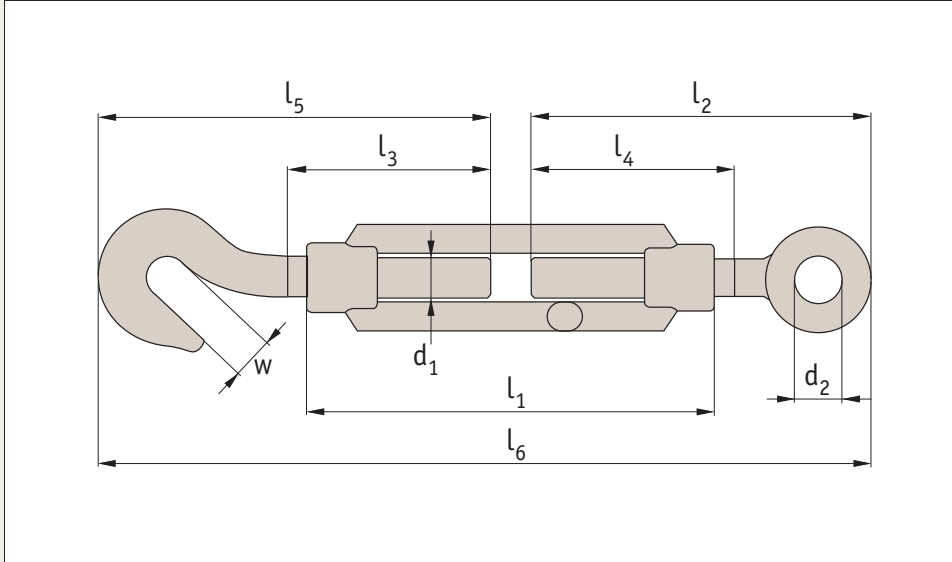
Only suitable for use in tension.

Order No.	d ₁	l ₁	l ₂	l ₃	l ₄ min	l ₄ max	d ₂	δ±δ Kg
R3842.006	M 6	110	74	50	148	228	10	0,09
R3842.008	M 8	110	80	52	160	235	11	0,14
R3842.010	M10	125	95	59	191	276	15	0,25
R3842.012	M12	125	107	66	215	295	17	0,37
R3842.016	M16	170	146	85	292	402	22	0,90
R3842.020	M20	200	170	100	340	470	24	1,62

Hook & Eye Turnbuckles

stainless steel

Turnbuckles



R3852

Material

Stainless steel (A4).

Technical Notes

To DIN 1480 hook & eye.

Tips

Turnbuckles consist of a metal frame with right hand thread one end and left hand thread the other end. Used for tensioning by rotating turnbuckle body

without twisting attached rope or cable.

Important Notes

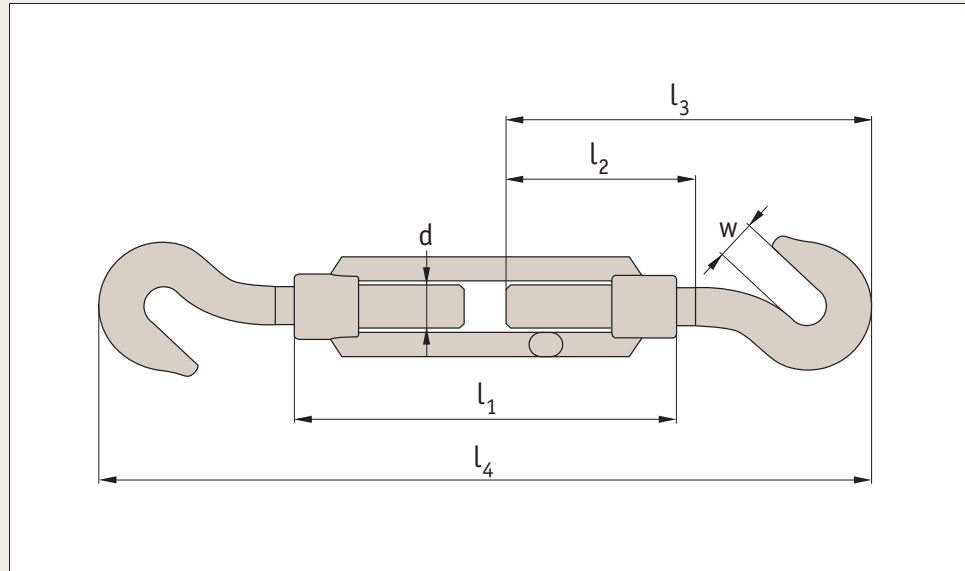
Turnbuckles are not to be used for lifting.

Only suitable for use in tension.

Order No.	d_1	l_1	l_2	l_3	l_4	l_5	l_6 min	l_6 max	d_2	w	Kg
R3852.006	M 6	110	74	50	50	77,0	151	231	10	8,0	0,09
R3852.008	M 8	110	80	52	60	98,0	178	253	11	10,0	0,15
R3852.010	M10	125	95	59	73	116,5	212	297	15	12,5	0,26
R3852.012	M12	125	107	66	90	146,0	264	344	17	16,0	0,40
R3852.016	M16	170	146	85	100	165,0	311	421	22	16,0	0,95



R3846



Material

Stainless steel (A4).

Technical Notes

To DIN 1480 hook to hook.

Tips

Turnbuckles consist of a metal frame with right hand thread one end and left hand thread the other end. Used for tensioning by rotating turnbuckle body

without twisting attached rope or cable.

Important Notes

Turnbuckles are not to be used for lifting.

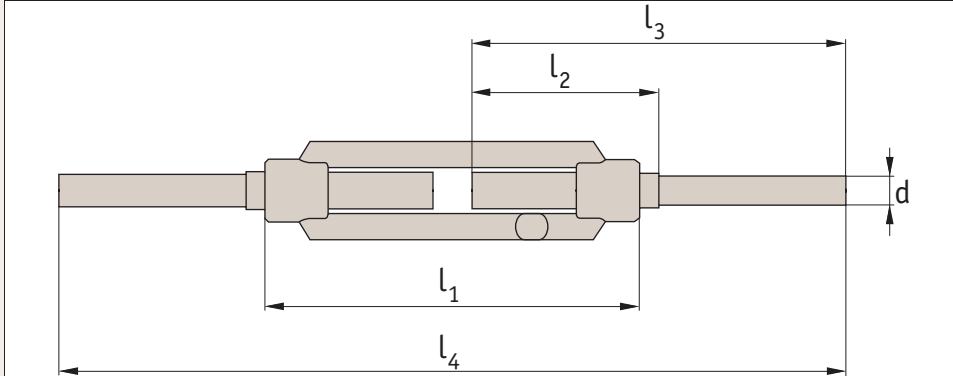
Only suitable for use in tension.

Order No.	d	l ₁	l ₂	l ₃	l ₄ min	l ₄ max	w	δ±δ Kg
R3846.006	M 6	110	50	77,0	154	234	8,0	0,09
R3846.008	M 8	110	60	98,0	196	271	10,0	0,16
R3846.010	M10	125	73	116,5	233	318	12,5	0,27
R3846.012	M12	125	90	146,0	293	373	16,0	0,42
R3846.016	M16	170	100	165,0	330	440	16,0	1,00

Stub End Turnbuckles

stainless steel

Turnbuckles



R3836

Material

Stainless steel (A4).

Technical Notes

To DIN 1480 stub end.

Tips

Turnbuckles consist of a metal frame with right hand thread one end and left hand thread the other end. Used for tensioning by rotating turnbuckle body

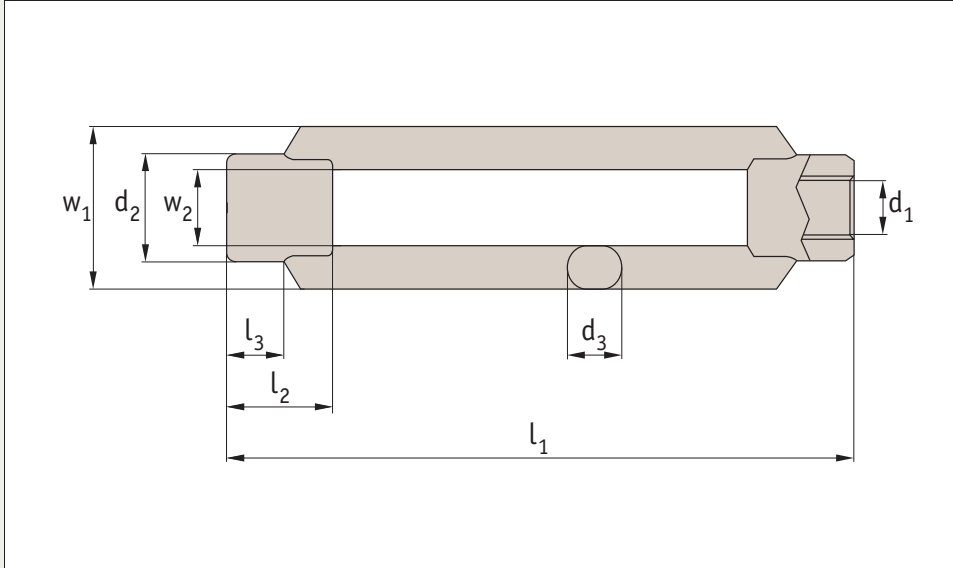
without twisting attached rope or cable.

Important Notes

Turnbuckles are not to be used for lifting.

Only suitable for use in tension.

Order No.	d	l_1	l_2	l_3	l_4 min	l_4 max	Δ Kg
R3836.006	M 6	110	60	120	240	320	0,10
R3836.008	M 8	110	65	120	240	315	0,16
R3836.010	M10	125	75	150	301	386	0,30
R3836.012	M12	125	75	150	301	381	0,40
R3836.016	M16	170	100	200	400	510	0,96
R3836.020	M20	200	120	220	440	570	1,74
R3836.024	M24	255	150	260	521	691	2,74



R3832

Material

Stainless steel (A4).

Technical Notes

To DIN 1480.

Tips

Turnbuckles consist of a metal frame with right hand thread one end and left hand thread the other end. Used for tensioning by rotating turnbuckle body

without twisting attached rope or cable.

Important Notes

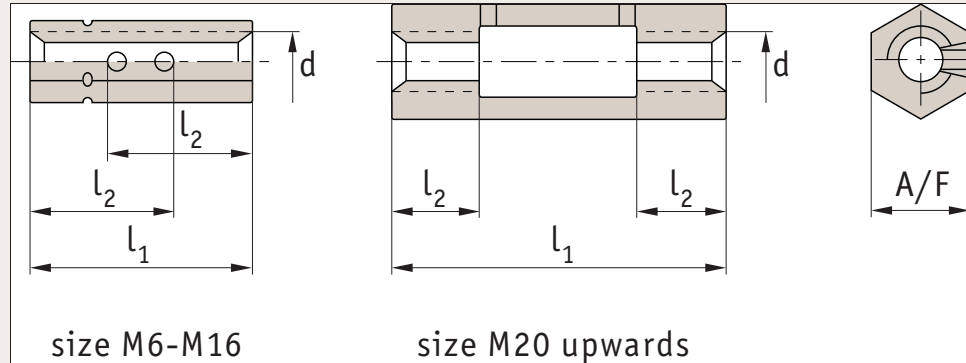
Turnbuckles are not to be used for lifting.

Only suitable for use in tension.

Order No.	d ₁	l ₁	l ₂	l ₃	d ₂	d ₃	w ₁	w ₂	Adjustment	⚖️ Kg
R3832.050-070-A4	M 5	70								
R3832.060-110-A4	M 6	110	12	6	12	6	19	9	80	0,06
R3832.060-090-A4	M 6	90	12	6	8	6	19	9	80	0,06
R3832.080-110-A4	M 8	110	15	8	15	8	23	11	75	0,09
R3832.100-125-A4	M10	125	18	9	18	9	30	14	85	0,15
R3832.100-150-A4	M10	150	18	9	16	9	30	14	85	0,15
R3832.120-125-A4	M12	125	21	11	21	11	34	16	80	0,20
R3832.120-200-A4	M12	200	21	11	18	11	34	16	80	0,20
R3832.160-170-A4	M16	170	27	14	27	14	42	20	110	0,44
R3832.160-250-A4	M16	250	27	14	26	14	42	20	110	0,44
R3832.200-200-A4	M20	200	34	17	34	17	52	24	130	0,44
R3832.200-300-A4	M20	300	34	17	30	17	52	24	130	0,44
R3832.024-255-A4	M24	255	39	20	39	20	60	28	170	1,20



R3825



size M6-M16

size M20 upwards

Material

Steel C15 (zinc plated) hot dip galvanised

Technical Notes

To DIN 1479.

Tips

Turnbuckles consist of a metal frame with right hand thread one end and left

hand thread the other end. Used for tensioning by rotating turnbuckle body without twisting attached rope or cable.

Important Notes

L2 dimension indicates the length of thread from each end that has been overcut.

This means you can screw from one

end a total of length l2. Please note if screwing in from both ends the length of thread is half l2.

Sizes M6-M16, have overlapping thread, from M20 middle part is relieved.

Turnbuckles are not to be used for lifting.

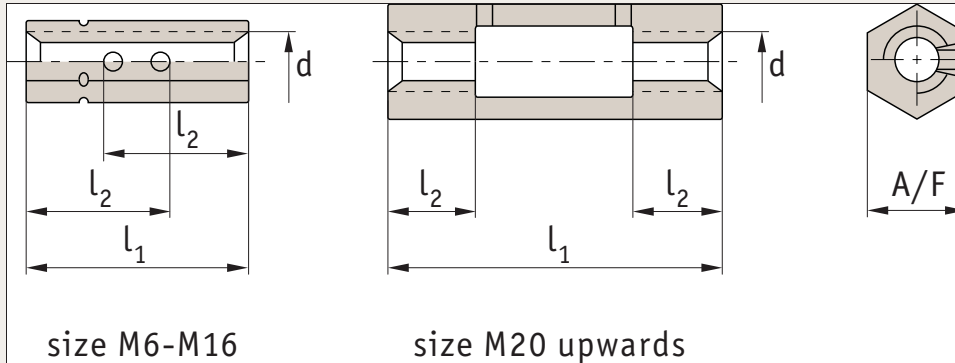
Only suitable for use in tension.

Order No.	d	l ₁	l ₂	A/F	Adjustment	±ΔΔ Kg
R3825.006	M 6	30	22,5	10	15	0,02
R3825.008	M 8	35	25,0	13	15	0,03
R3825.010	M10	45	33,0	16	21	0,06
R3825.012	M12	55	40,0	18	25	0,90
R3825.016	M16	75	55,0	24	35	0,18
R3825.020	M20	95	24,0	30	47	0,32
R3825.024	M24	115	29,0	36	57	0,53
R3825.030	M30	125	36,0	46	53	1,08

Hexagonal Body Turnbuckles

stainless steel

Turnbuckles



R3826

Material

Stainless steel (A2).

Technical Notes

To DIN 1479.

Tips

Turnbuckles consist of a metal frame with right hand thread one end and left hand thread the other end. Used for tensioning by rotating turnbuckle body

without twisting attached rope or cable.

Important Notes

L2 dimension indicates the length of thread from each end that has been overcut.

This means you can screw from one end a total of length l2. Please note if screwing in from both ends the length

of thread is half l2.

Sizes M6-M16, have overlapping thread, from M20 middle part is relieved.

Turnbuckles are not to be used for lifting.

Only suitable for use in tension.

Order No.	d	l ₁	l ₂	A/F	Adjustment	$\frac{\Delta}{\Delta}$ Kg
R3826.006	M 6	30	22,5	10	15	0,02
R3826.008	M 8	35	25,0	13	15	0,03
R3826.010	M10	45	33,0	16	21	0,06
R3826.012	M12	55	40,0	18	25	0,09
R3826.016	M16	75	55,0	24	35	0,18
R3826.020	M20	95	24,0	30	47	0,32
R3826.024	M24	115	29,0	36	57	0,53
R3826.030	M30	125	36,0	46	53	1,08

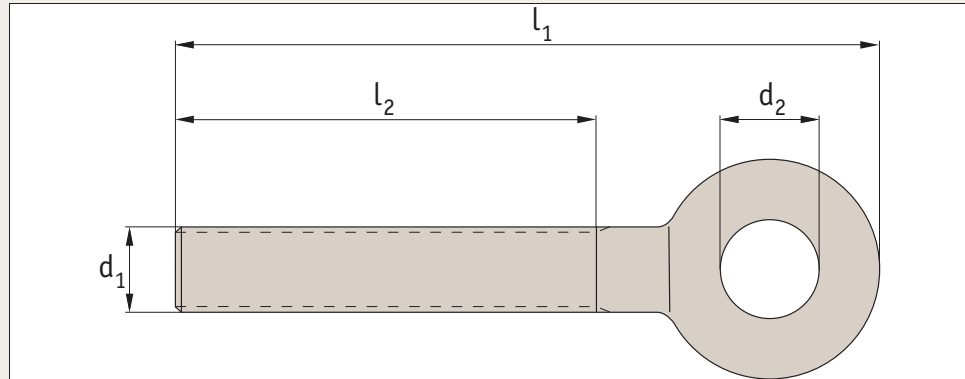
info@springfixlinkages.com **01483 266 784**

SPRINGFIX®
LINKAGES

Springfix Linkages is a division of Automation Components Ltd



R3860



Material

Steel (1.0037).
Zinc plated (hot dip galvanized).

Important Notes

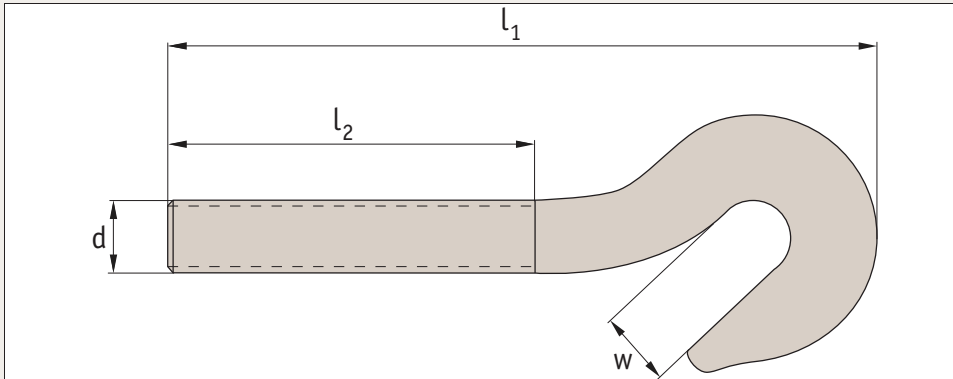
Turnbuckles are not to be used for lifting.
Only suitable for use in tension.

Order No.	Thread (hand)	d ₁	l ₁	l ₂	d ₂	Δ [±] Kg
R3860.R006	Right	M 6	74	50	10	0,015
R3860.R008	Right	M 8	80	52	11	0,030
R3860.R010	Right	M10	95	59	15	0,050
R3860.R012	Right	M12	107	66	17	0,085
R3860.R014	Right	M14	158	85	18	0,130
R3860.R016	Right	M16	146	85	22	0,210
R3860.R020	Right	M20	170	100	24	0,380
R3860.R022	Right	M22	203	123	30	0,580
R3860.R024	Right	M24	213	134	33	0,830
R3860.R030	Right	M30	255	150	39	1,400
R3860.R036	Right	M36	260	150	37	2,180
R3860.R042	Right	M42	285	165	48	3,190
R3860.R048	Right	M48	335	185	58	4,970
R3860.L006	Left	M 6	74	50	10	0,015
R3860.L008	Left	M 8	80	52	11	0,030
R3860.L010	Left	M10	95	59	15	0,050
R3860.L012	Left	M12	107	66	17	0,085
R3860.L014	Left	M14	158	85	18	0,130
R3860.L016	Left	M16	146	85	22	0,210
R3860.L020	Left	M20	170	100	24	0,380
R3860.L022	Left	M22	203	123	30	0,580
R3860.L024	Left	M24	213	134	33	0,830
R3860.L030	Left	M30	255	150	39	1,400
R3860.L036	Left	M36	260	150	37	2,180
R3860.L042	Left	M42	285	165	48	3,190
R3860.L048	Left	M48	335	185	58	4,970

Hooks for Turnbuckles

steel

Turnbuckles



R3862

Material

Steel (1.0037).
Zinc plated (hot dip galvanized).

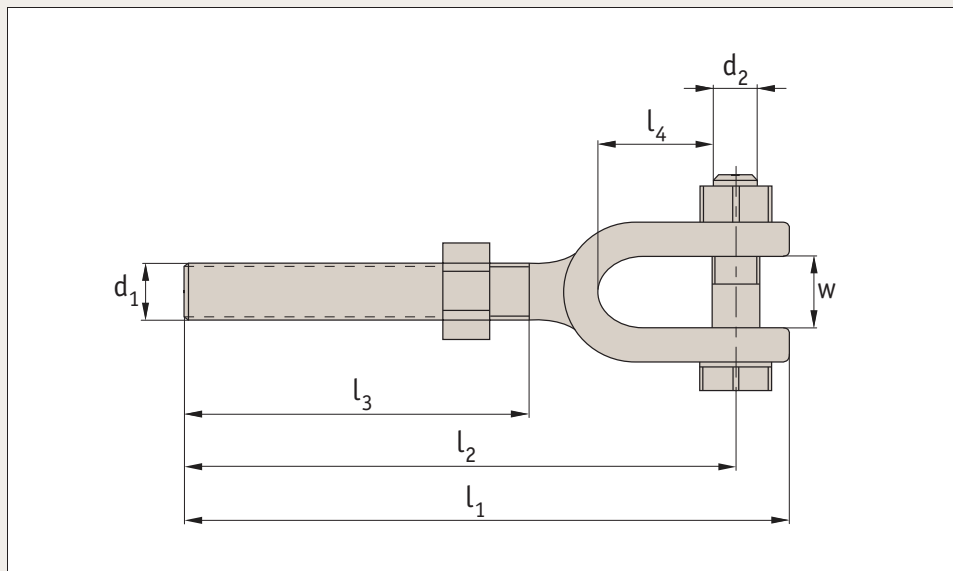
Important Notes

Turnbuckles are not to be used for lifting.
Only suitable for use in tension.

Order No.	Thread (hand)	d	l ₁	l ₂	w	Δ [±] Kg
R3862.R006	Right	M 6	77,0	50	9,5	0,016
R3862.R008	Right	M 8	98,0	60	11,0	0,034
R3862.R010	Right	M10	116,5	73	14,0	0,060
R3862.R012	Right	M12	146,0	90	18,0	0,113
R3862.R014	Right	M14	140,0	80	16,0	0,170
R3862.R016	Right	M16	165,0	100	19,0	0,275
R3862.R020	Right	M20	180,0	105	21,0	0,440
R3862.R022	Right	M22	215,0	120	26,0	0,685
R3862.R024	Right	M24	225,0	135	29,0	0,765
R3862.R030	Right	M30	225,0	140	31,0	1,325
R3862.R036	Right	M36	300,0	170	35,0	2,285
R3862.L006	Left	M 6	77,0	50	9,5	0,016
R3862.L008	Left	M 8	98,0	60	11,0	0,034
R3862.L010	Left	M10	116,5	73	14,0	0,060
R3862.L012	Left	M12	146,0	90	18,0	0,113
R3862.L014	Left	M14	140,0	80	16,0	0,170
R3862.L016	Left	M16	165,0	100	19,0	0,275
R3862.L020	Left	M20	180,0	105	21,0	0,440
R3862.L022	Left	M22	215,0	120	26,0	0,685
R3862.L024	Left	M24	225,0	135	29,0	0,765
R3862.L030	Left	M30	225,0	140	31,0	1,325
R3862.L036	Left	M36	300,0	170	35,0	2,285



R3864



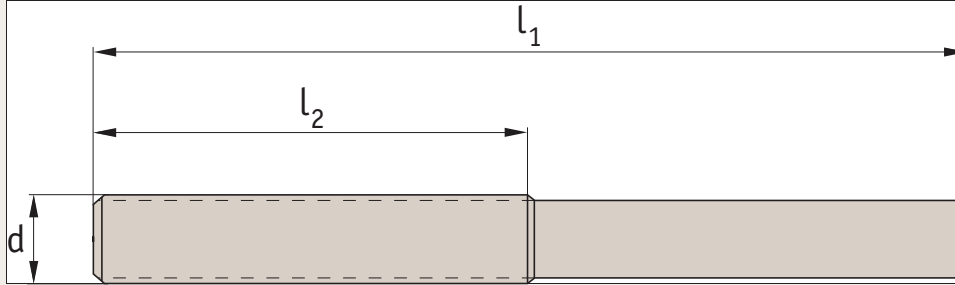
Material

Steel (C45, 1.0503).
Zinc plated (hot dip galvanized).

Important Notes

Turnbuckles are not to be used for lifting.
Only suitable for use in tension.

Order No.	Thread (hand)	d_1	l_1	l_2	l_3	l_4	d_2	w	$\delta_{\pm 3}$ Kg
R3864.R008	Right	M 8	125	116	68	28,75	8,5	9,0	0,095
R3864.R010	Right	M10	139	130	82	29,25	8,5	10,7	0,132
R3864.R012	Right	M12	160	150	90	44,75	10,5	15,5	0,215
R3864.R016	Right	M16	186	172	102	45,25	12,5	20,0	0,405
R3864.R020	Right	M20	205	185	115	59,50	17,0	23,5	0,812
R3864.R024	Right	M24	240	215	125	62,75	20,5	29,0	1,395
R3864.R030	Right	M30	290	255	150	89,50	25,0	34,0	2,690
R3864.L008	Left	M 8	125	116	68	28,75	8,5	9,0	0,095
R3864.L010	Left	M10	139	130	82	29,25	8,5	10,7	0,132
R3864.L012	Left	M12	160	150	90	44,75	10,5	15,5	0,215
R3864.L016	Left	M16	186	172	102	45,25	12,5	20,0	0,405
R3864.L020	Left	M20	205	185	115	59,50	17,0	23,5	0,812
R3864.L024	Left	M24	240	215	125	62,75	20,5	29,0	1,395
R3864.L030	Left	M30	290	255	150	89,5	25,0	34,0	2,690



R3866

Material

Steel (1.0037 up to M36, above M36 1.0052).
Zinc plated (hot dip galvanized).

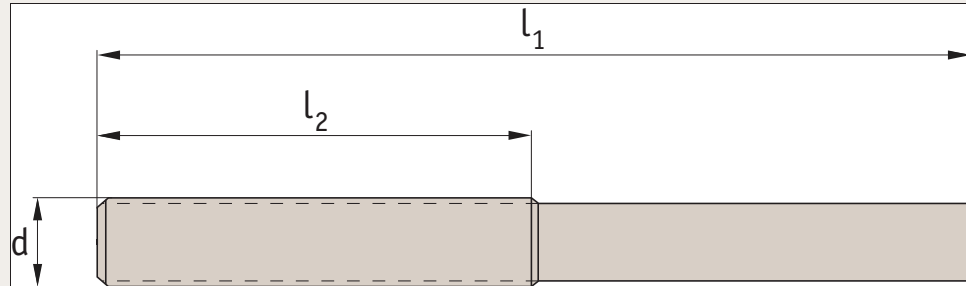
Technical Notes

To DIN 34828.

Important Notes

Turnbuckles are not to be used for lifting.
Only suitable for use in tension.

Order No.	Thread (hand)	d	l_1	l_2	Δ_{\pm} Kg
R3866.R006	Right	M 6	120	60	0,02
R3866.R008	Right	M 8	120	65	0,04
R3866.R010	Right	M10	150	75	0,07
R3866.R012	Right	M12	150	75	0,11
R3866.R014	Right	M14	165	80	0,15
R3866.R016	Right	M16	200	100	0,26
R3866.R020	Right	M20	200	120	0,44
R3866.R024	Right	M24	260	150	0,76
R3866.R030	Right	M30	260	160	1,20
R3866.R036	Right	M36	300	180	2,10
R3866.R042	Right	M42	350	200	3,15
R3866.R048	Right	M48	380	220	4,60
R3866.R056	Right	M56	380	230	6,28
R3866.R064	Right	M64	425	300	9,16
R3866.R072	Right	M72	400	270	4,60
R3866.L006	Left	M 6	120	60	0,02
R3866.L008	Left	M 8	120	65	0,04
R3866.L010	Left	M10	150	75	0,07
R3866.L012	Left	M12	150	75	0,11
R3866.L014	Left	M14	165	80	0,15
R3866.L016	Left	M16	200	100	0,26
R3866.L020	Left	M20	200	120	0,44
R3866.L024	Left	M24	260	150	0,76
R3866.L030	Left	M30	260	160	1,20
R3866.L036	Left	M36	300	180	2,10
R3866.L042	Left	M42	350	200	3,15
R3866.L048	Left	M48	380	220	4,60
R3866.L056	Left	M56	380	230	6,28
R3866.L064	Left	M64	425	300	9,16
R3866.L072	Left	M72	400	270	4,60



R3868

Material

Stainless steel (A4).

Technical Notes

To DIN 34828.

Important Notes

Turnbuckles are not to be used for lifting.
Only suitable for use in tension.

Order No.	Thread (hand)	d	l_1	l_2	Δ_{\pm} Kg
R3868.R006	Right	M 6	120	60	0,02
R3868.R008	Right	M 8	120	65	0,04
R3868.R010	Right	M10	150	75	0,07
R3868.R012	Right	M12	150	75	0,11
R3868.R014	Right	M14	165	80	0,15
R3868.R016	Right	M16	200	100	0,26
R3868.R020	Right	M20	220	120	0,44
R3868.R024	Right	M24	260	150	0,76
R3868.R030	Right	M30	260	160	1,20
R3868.R036	Right	M36	300	180	2,10
R3868.L006	Left	M 6	120	60	0,02
R3868.L008	Left	M 8	120	65	0,04
R3868.L010	Left	M10	150	75	0,07
R3868.L012	Left	M12	150	75	0,11
R3868.L014	Left	M14	165	80	0,15
R3868.L016	Left	M16	200	100	0,26
R3868.L020	Left	M20	220	120	0,44
R3868.L024	Left	M24	260	150	0,76
R3868.L030	Left	M30	260	160	1,20
R3868.L036	Left	M36	300	180	2,10