

ANTI-VIBRATION[®] COMPONENTS

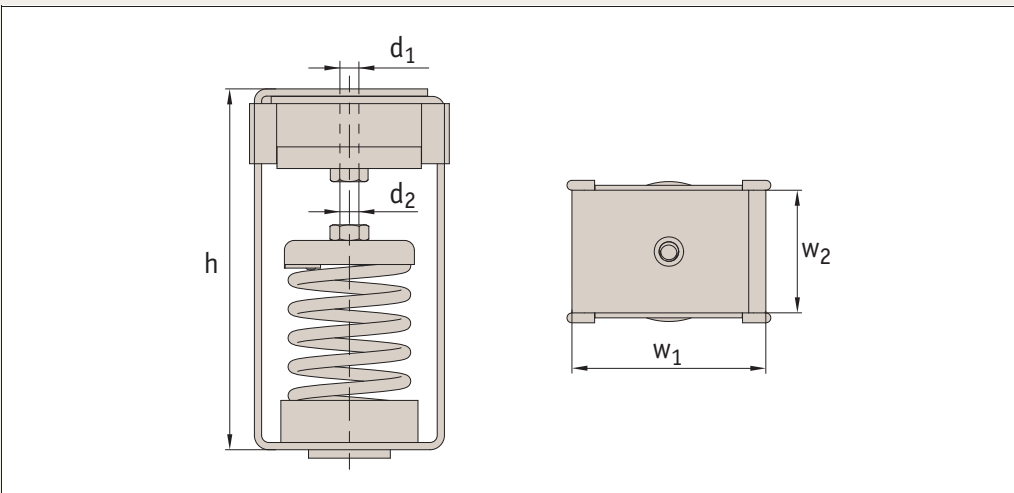
...vibration isolation

Acoustic Ceiling Hangers





P2500



Material

Zinc plated steel (anti-corrosive treatment) with Sylomer® pad and steel spring.

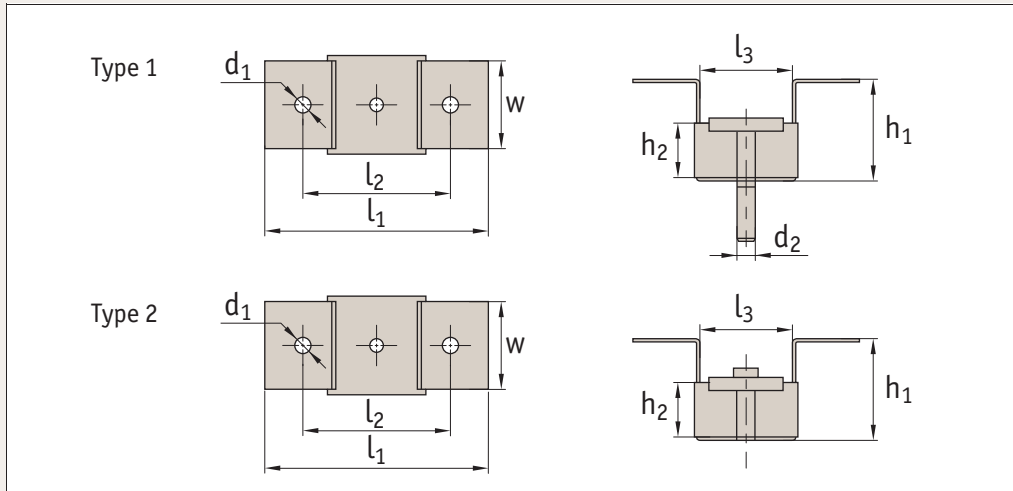
Technical Notes

These hangers come in six different steel spring strengths for increasing loads.

The metal housing has an anti-corrosive treatment, which can withstand very harsh conditions and also resist high tensile stresses up to 1000kg.

| Order No. | h | l | d ₁ | d ₂ | w | Compression max. | Max. load Kgf |
|---------------|-----|----|----------------|----------------|----|------------------|---------------|
| P2500.150-025 | 150 | 79 | 12 | M8 | 50 | 18 | 25 |
| P2500.150-050 | 150 | 79 | 12 | M8 | 50 | 18 | 50 |
| P2500.150-075 | 150 | 79 | 12 | M8 | 50 | 18 | 75 |
| P2500.150-100 | 150 | 79 | 12 | M8 | 50 | 18 | 100 |
| P2500.150-125 | 150 | 79 | 12 | M8 | 50 | 20 | 125 |
| P2500.150-150 | 150 | 79 | 12 | M8 | 50 | 20 | 150 |





P2501

Material

Steel zinc plated steel (anti-corrosive treatment) with Sylomer® pad.

Technical Notes

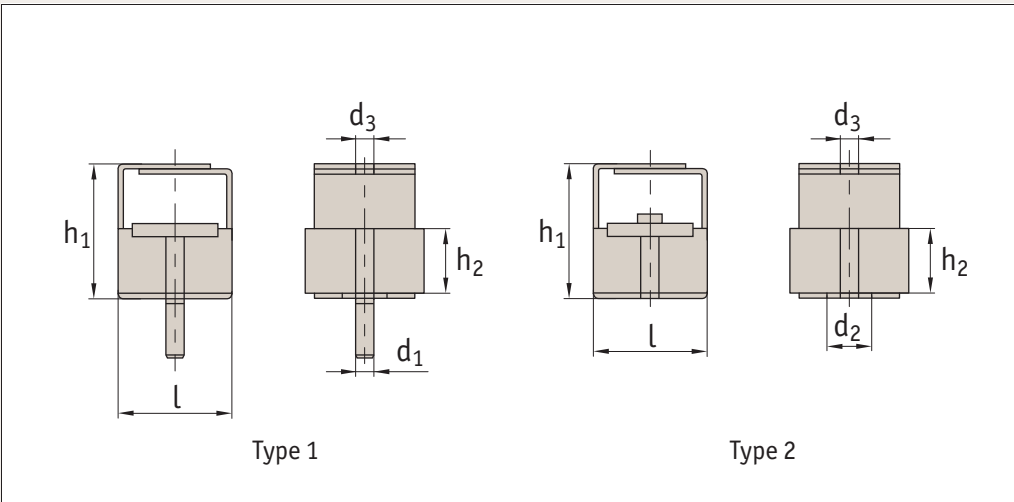
These hangers are manufactured with two different mixes of Sylomer® for the two different load ratings. The metal parts can withstand tensile stresses from 650kg - 1000kg. They are put through an anti-corrosive treatment, which can withstand harsh conditions.

| Order No. | Type | l_1 | h_1 | h_2 | l_2 | l_3 | w | d_1 | d_2 | Compression max. | Max. load Kgf. |
|---------------|--------|-------|-------|-------|-------|-------|----|-------|-------|------------------|----------------|
| P2501.100-030 | Type 1 | 100 | 46,5 | 25 | 66 | 40 | 40 | 7 | M6 | 8 | 30 |
| P2501.100-075 | Type 1 | 100 | 46,5 | 25 | 66 | 40 | 40 | 7 | M6 | 6 | 75 |
| P2501.135-060 | Type 1 | 135 | 62,0 | 25 | 105 | 49 | 55 | 11 | M6 | 9 | 60 |
| P2501.135-150 | Type 1 | 135 | 62,0 | 25 | 105 | 49 | 55 | 11 | M6 | 6 | 150 |
| P2501.100-230 | Type 2 | 100 | 46,5 | 25 | 66 | 40 | 40 | 7 | M6 | 8 | 30 |
| P2501.100-275 | Type 2 | 100 | 46,5 | 25 | 66 | 40 | 40 | 7 | M6 | 6 | 75 |
| P2501.135-260 | Type 2 | 135 | 62,0 | 25 | 105 | 49 | 55 | 11 | M6 | 9 | 60 |
| P2501.135-350 | Type 2 | 135 | 62,0 | 25 | 105 | 49 | 55 | 11 | M6 | 6 | 150 |





P2502



Material

Steel zinc plated steel (anti-corrosive treatment) with Sylomer® pad.

Technical Notes

These hangers are manufactured with two different mixes of Sylomer® for the two different load ratings. The metal parts can withstand tensile stresses from 650kg - 1000kg. They are put through an anti-corrosive treatment, which can withstand harsh conditions.

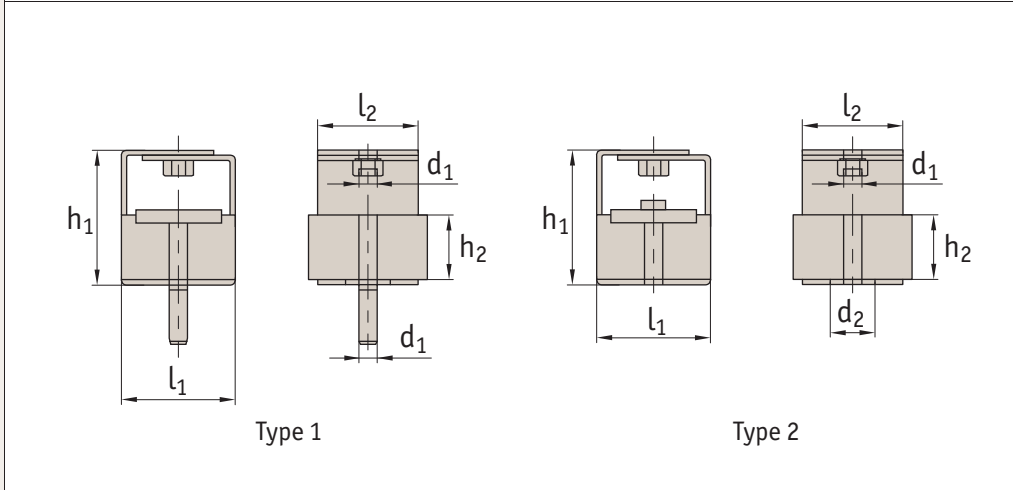
| Order No. | Type | l | h ₁ | h ₂ | d ₁ | d ₂ | d ₃ | Compression max. | Max. load Kgf |
|---------------|--------|----|----------------|----------------|----------------|----------------|----------------|------------------|---------------|
| P2502.044-030 | Type 1 | 44 | 52 | 25 | M6 | 18 | 7 | 8 | 30 |
| P2502.044-075 | Type 1 | 44 | 52 | 25 | M6 | 18 | 7 | 6 | 75 |
| P2502.044-230 | Type 2 | 44 | 52 | 25 | M6 | 18 | 7 | 8 | 30 |
| P2502.044-275 | Type 2 | 44 | 52 | 25 | M6 | 18 | 7 | 6 | 75 |



Acoustic Ceiling Hangers

with nut

Acoustic Ceiling Hangers



P2503

Material

Steel zinc plated steel (anti-corrosive treatment) with Sylomer® pad.

Technical Notes

These hangers are manufactured with two different mixes of Sylomer® for the two different load ratings. The metal parts can withstand tensile stresses from 650kg - 1000kg. They are put through an anti-corrosive treatment, which can withstand harsh conditions.

| Order No. | Type | l ₁ | h ₁ | h ₂ | d ₁ | d ₂ | l ₂ | Compression max. | Max. load Kgf |
|---------------|--------|----------------|----------------|----------------|----------------|----------------|----------------|------------------|---------------|
| P2503.044-030 | Type 1 | 44 | 52 | 25 | M6 | 18 | 39 | 8 | 30 |
| P2503.044-075 | Type 1 | 44 | 52 | 25 | M6 | 18 | 39 | 6 | 75 |
| P2503.056-060 | Type 1 | 56 | 67 | 25 | M6 | 18 | 55 | 9 | 60 |
| P2503.056-150 | Type 1 | 56 | 67 | 25 | M6 | 18 | 55 | 6 | 150 |
| P2503.044-230 | Type 2 | 44 | 52 | 25 | M6 | 18 | 39 | 8 | 30 |
| P2503.044-275 | Type 2 | 44 | 52 | 25 | M6 | 18 | 39 | 6 | 75 |
| P2503.056-260 | Type 2 | 56 | 67 | 25 | M6 | 18 | 55 | 9 | 60 |
| P2503.056-350 | Type 2 | 56 | 67 | 25 | M6 | 18 | 55 | 6 | 150 |



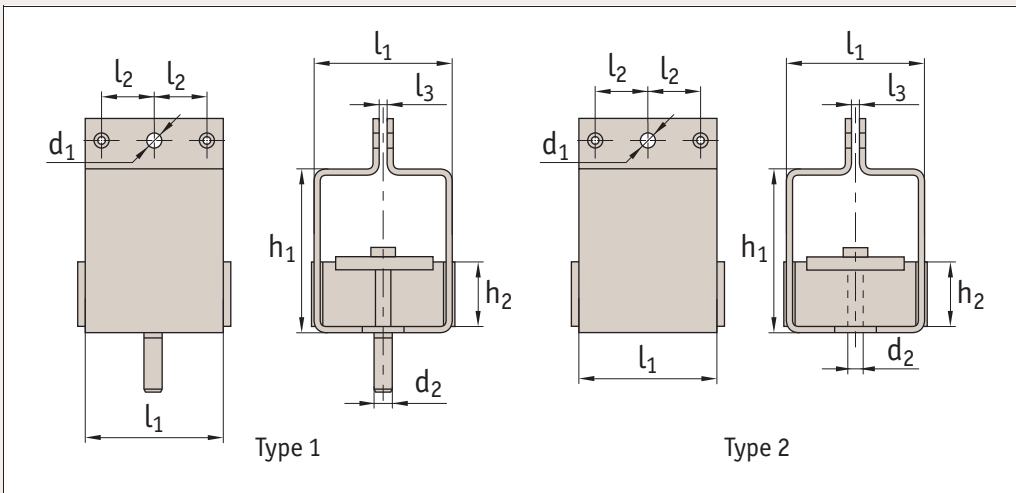
Tel: 0845 850 99 40
Fax: 0845 850 99 41

Email: sales@avcomponents.co.uk
Web: antivibrationcomponents.co.uk

**ANTI-VIBRATION
COMPONENTS**



P2504



Material

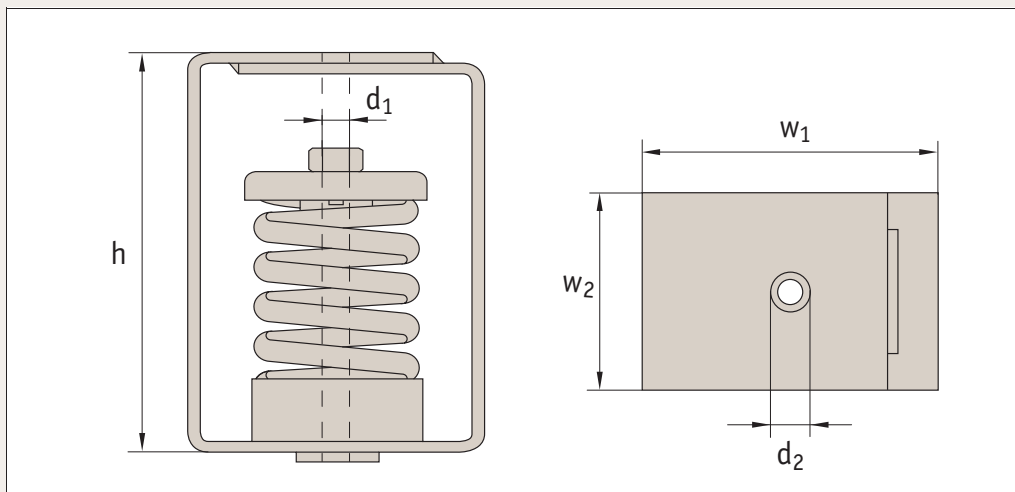
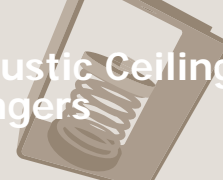
Steel zinc plated steel (anti-corrosive treatment) with Sylomer® pad.

Technical Notes

These hangers are manufactured with two different mixes of Sylomer® for the two different load ratings. The metal parts can withstand tensile stresses from 650kg - 1000kg. They are put through an anti-corrosive treatment, which can withstand harsh conditions.

| Order No. | Type | l ₁ | h ₁ | h ₂ | d ₁ | d ₂ | l ₂ | l ₃ | Compression max. | Max. load Kgf |
|---------------|--------|----------------|----------------|----------------|----------------|----------------|----------------|----------------|------------------|---------------|
| P2504.055-060 | Type 1 | 55 | 65 | 25 | 7 | M6 | 21 | 3 | 9 | 60 |
| P2504.055-150 | Type 1 | 55 | 65 | 25 | 7 | M6 | 21 | 3 | 6 | 150 |
| P2504.055-260 | Type 2 | 55 | 65 | 25 | 7 | M6 | 21 | 3 | 9 | 60 |
| P2504.055-350 | Type 2 | 55 | 65 | 25 | 7 | M6 | 21 | 3 | 6 | 150 |





P2551

Material

Steel anti-corrosive zinc plated.

Technical Notes

These units are designed for installations where objects are suspended from ceilings. The spring in the body provides good anti-vibration properties.

Tips

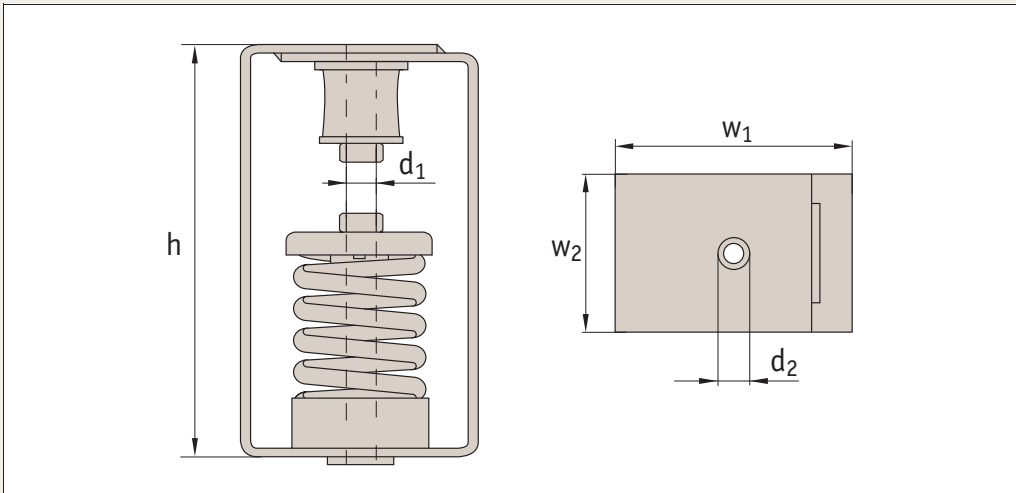
Select the damper corresponding to the load to be carried per unit. These hanger can be used for fans, distribution pipes, ducts and acoustic ceilings.

| Order No. | w ₁ | h | d ₁ | d ₂ | w ₂ | Max. load Kgf. |
|-----------|----------------|-----|----------------|----------------|----------------|----------------|
| P2551.025 | 75 | 120 | M 8 | 12 | 50 | 25 |
| P2551.050 | 75 | 120 | M 8 | 12 | 50 | 50 |
| P2551.075 | 75 | 120 | M 8 | 12 | 50 | 75 |
| P2551.100 | 75 | 120 | M 8 | 12 | 50 | 100 |
| P2551.125 | 75 | 120 | M 8 | 12 | 50 | 125 |
| P2551.150 | 120 | 160 | M12 | 16 | 80 | 150 |
| P2551.200 | 120 | 160 | M12 | 16 | 80 | 200 |
| P2551.250 | 120 | 160 | M12 | 16 | 80 | 250 |
| P2551.350 | 120 | 160 | M12 | 16 | 80 | 350 |
| P2551.500 | 140 | 180 | M12 | 18 | 100 | 500 |
| P2551.750 | 140 | 180 | M12 | 18 | 100 | 750 |





P2552



Material

Steel zinc plated steel and rubber.

Technical Notes

These units are designed for installations where objects are suspended from ceilings. The spring in the body provides good anti-vibration properties.

Tips

Select the damper corresponding to the load to be carried per unit. These hanger can be used for fans, distribution pipes, ducts and acoustic ceilings.

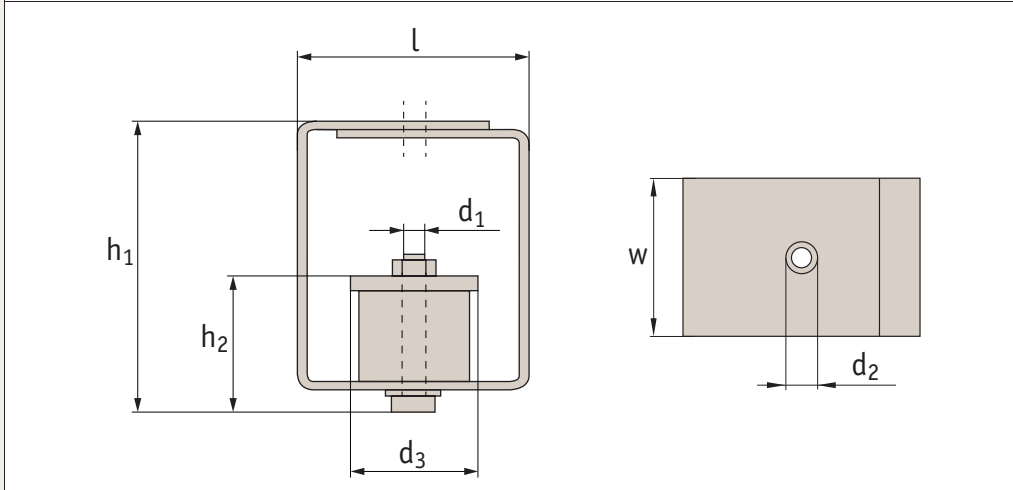
| Order No. | w ₁ | h | d ₁ | d ₂ | w ₂ | Max. load Kgf. |
|-----------|----------------|-----|----------------|----------------|----------------|----------------|
| P2552.025 | 75 | 150 | M8 | 12 | 50 | 25 |
| P2552.050 | 75 | 150 | M8 | 12 | 50 | 50 |
| P2552.075 | 75 | 150 | M8 | 12 | 50 | 75 |
| P2552.100 | 75 | 150 | M8 | 12 | 50 | 100 |



Acoustic Ceiling Hangers

without nut

Acoustic Ceiling Hangers



P2553

Material

Steel anti-corrosive zinc plated, with rubber 50 shore A cylinder.

Technical Notes

These units are designed for installations where objects are suspended from ceilings. The spring in the body provides good anti-vibration properties.

Tips

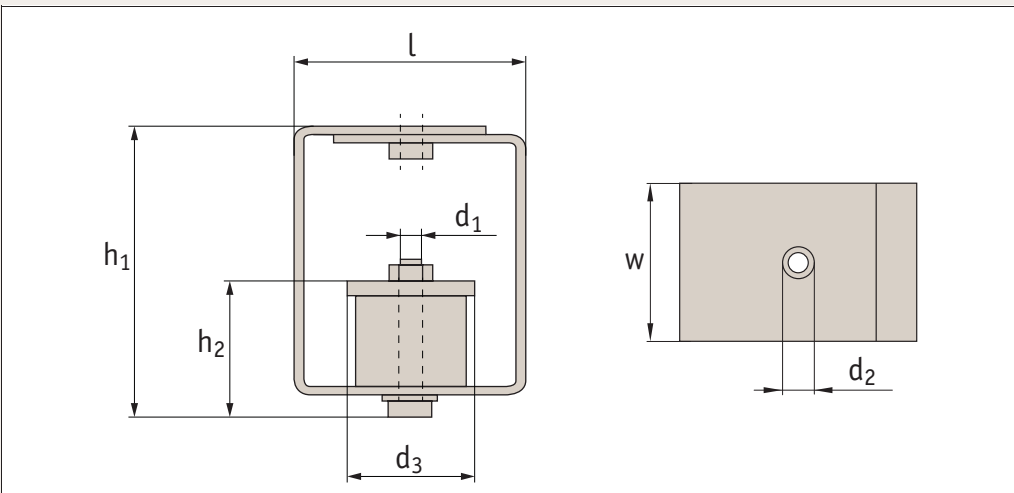
Select the damper corresponding to the load to be carried per unit. These hanger can be used for fans, distribution pipes, ducts and acoustic ceilings.

| Order No. | d ₁ | h ₁ | l | d ₂ | d ₃ | h ₂ | w | Max. load Kgf |
|-------------|----------------|----------------|----|----------------|----------------|----------------|----|---------------|
| P2553.06-30 | M6 | 50 | 40 | 7 | 30 | 30 | 46 | 30 |
| P2553.06-60 | M6 | 50 | 40 | 7 | 30 | 30 | 46 | 60 |





P2554



Material

Steel anti-corrosive zinc plated, with rubber 50 shore A cylinder

Technical Notes

These units are designed for installations where objects are suspended from ceilings. The spring in the body provides good anti-vibration properties.

Tips

Select the damper corresponding to the load to be carried per unit. These hanger can be used for fans, distribution pipes, ducts and acoustic ceilings.

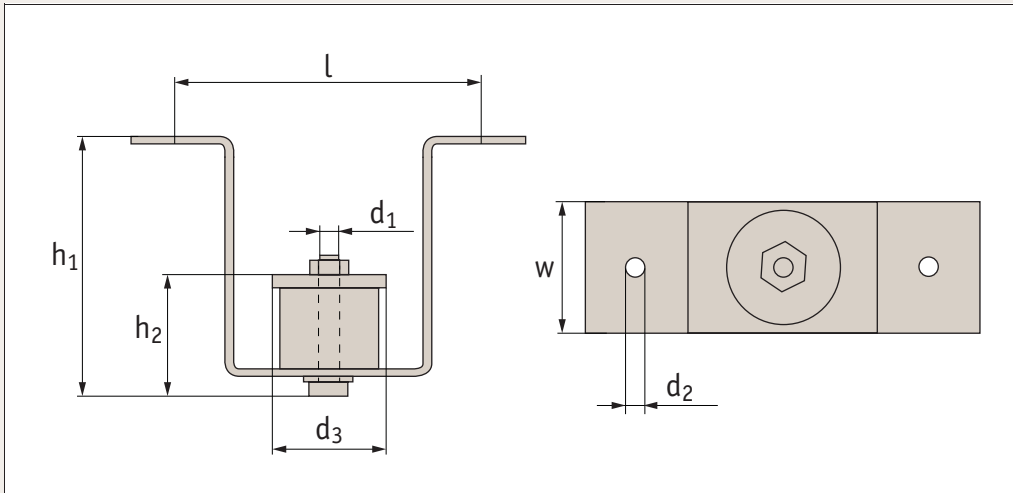
| Order No. | d ₁ | h ₁ | l | d ₂ | d ₃ | h ₂ | w | Max. load Kgf |
|--------------|----------------|----------------|----|----------------|----------------|----------------|----|---------------|
| P2554.08-30 | M8 | 50 | 40 | 18 | 30 | 30 | 46 | 30 |
| P2554.08-60 | M8 | 50 | 40 | 18 | 30 | 30 | 46 | 60 |
| P2554.08-100 | M8 | 75 | 55 | 16 | 55 | 38 | 68 | 100 |
| P2554.08-150 | M8 | 75 | 55 | 16 | 55 | 38 | 68 | 150 |



Acoustic Ceiling Hangers

u-shape

Acoustic Ceiling Hangers



P2555

Material

Steel anti-corrosive zinc plated, with rubber 50 shore A cylinder

Technical Notes

These units are designed for installations where objects are suspended from ceilings. The spring in the body provides good anti-vibration properties.

Tips

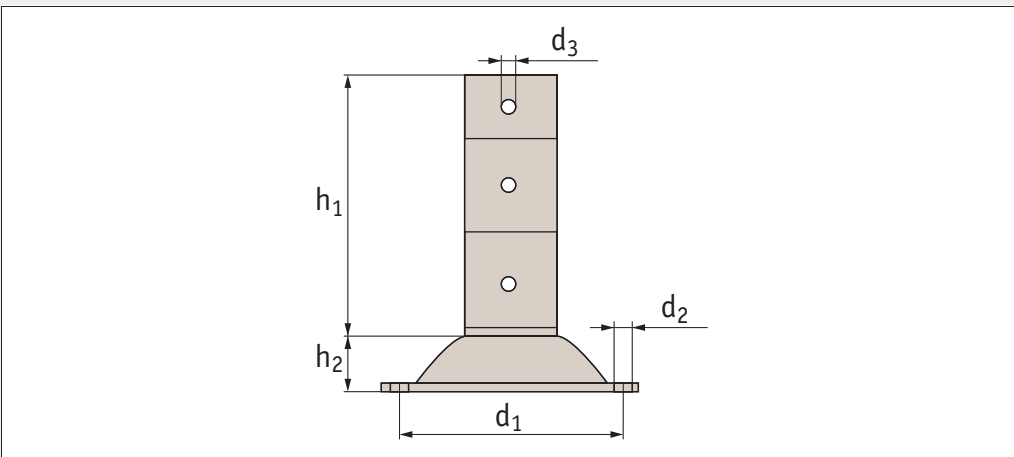
Select the damper corresponding to the load to be carried per unit. These hanger can be used for fans, distribution pipes, ducts and acoustic ceilings.

| Order No. | d ₁ | h ₁ | l | d ₂ | d ₃ | h ₂ | w | Max. load Kgf |
|--------------|----------------|----------------|----|----------------|----------------|----------------|----|---------------|
| P2555.06-30 | M6 | 50 | 40 | 7 | 30 | 30 | 46 | 30 |
| P2555.06-60 | M6 | 50 | 40 | 7 | 30 | 30 | 46 | 60 |
| P2555.06-100 | M6 | 75 | 55 | 11 | 40 | 38 | 68 | 100 |
| P2555.06-150 | M6 | 75 | 55 | 11 | 40 | 38 | 68 | 150 |





P2556



Material

Rubber on steel zinc plated.

Technical Notes

These units are designed for installations where objects are suspended from the ceiling or the wall. The spring in the body provides good anti-vibration properties.

Tips

Select the damper corresponding to the load to be carried per unit. These hanger can be used for fans, distribution pipes, ducts and acoustic ceilings.

| Order No. | d ₁ | h ₁ | d ₂ | d ₃ | h ₂ | Max. load Kgf. |
|-----------|----------------|----------------|----------------|----------------|----------------|----------------|
| P2556.76 | 76 | 70 | 9 | 4 | 24 | 10 |

