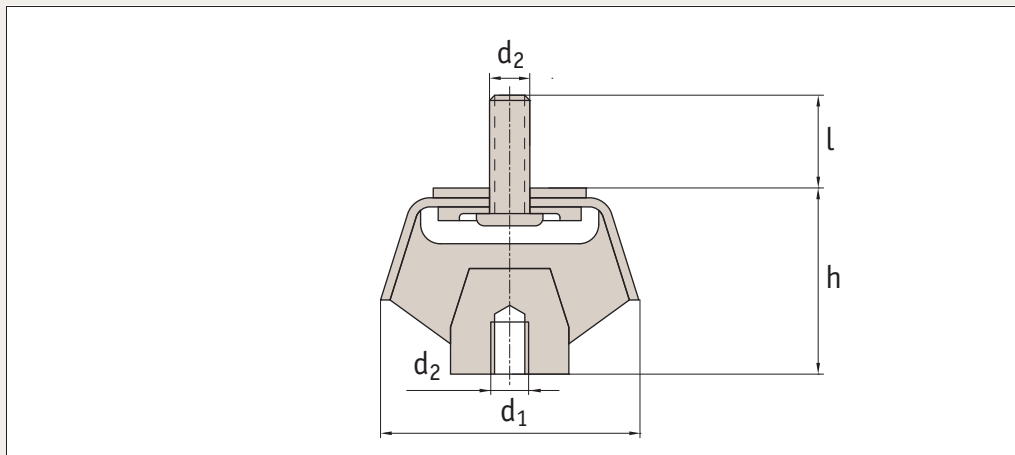


ANTI-VIBRATION[®] COMPONENTS

...vibration isolation

Miscellaneous Parts





P2040

Material

Rubber on silver zinc plated steel.

Technical Notes

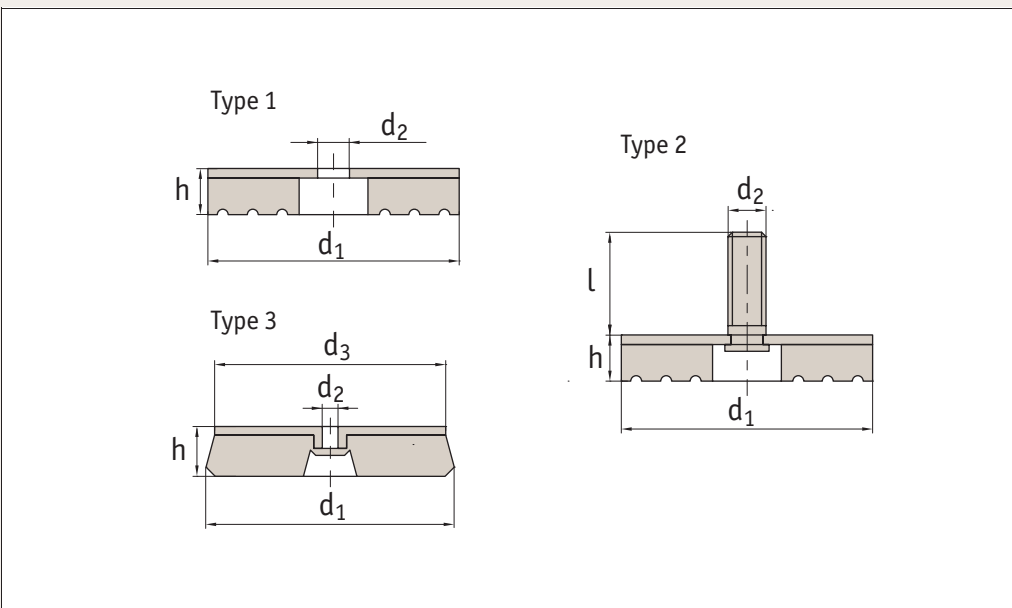
With a bell-like base this unit is suitable for supporting most applications, such as engine suspensions.

It can also be used to carry horizontal loads.

Order No.	Shore hardness	d_1	h	d_2	l	Max. load Kgf
P2040.050	50 A	55	40	M10	23	30
P2040.060	60 A	55	40	M10	23	60
P2040.070	70 A	55	40	M10	23	120

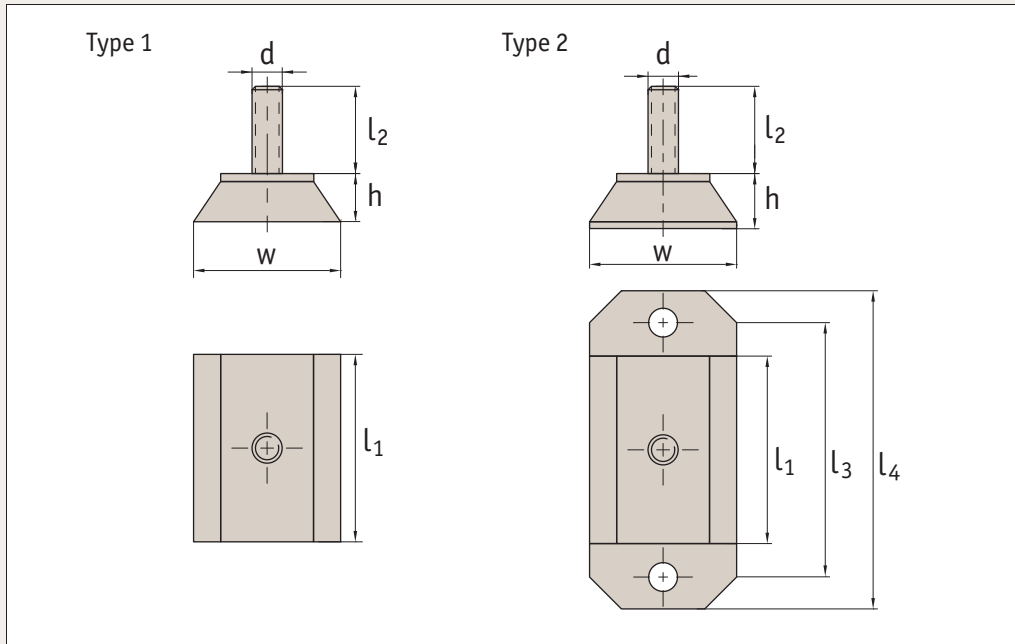


P2041



Material
Rubber on zinc plated steel.

Order No.	Type	d ₁	d ₂	d ₃	l	h	Compression max.	Max. static load Kgf
P2041.050	Type 1	50	10,5	-	-	15	2,2	180
P2041.085	Type 1	85	10,5	-	-	15	1,6	450
P2041.155	Type 2	55	M12	-	25	16	2,2	180
P2041.185	Type 2	85	M12	-	25	16	1,6	450
P2041.225	Type 2	125	M12	-	25	16	2,2	800
P2041.550	Type 3	50	6,0	45	-	18	2	50
P2041.591	Type 3	91	6,5	86	-	18	2	350
P2041.638	Type 3	138	10,5	130	-	25	2,6	900



P2042

Material

Rubber on silver zinc plated steel
(rubber hardness - 55 Shore A).

Technical Notes

Used to support machine tools and packaging machinery.
Provides vibration isolation for frequencies higher than 20Hz.

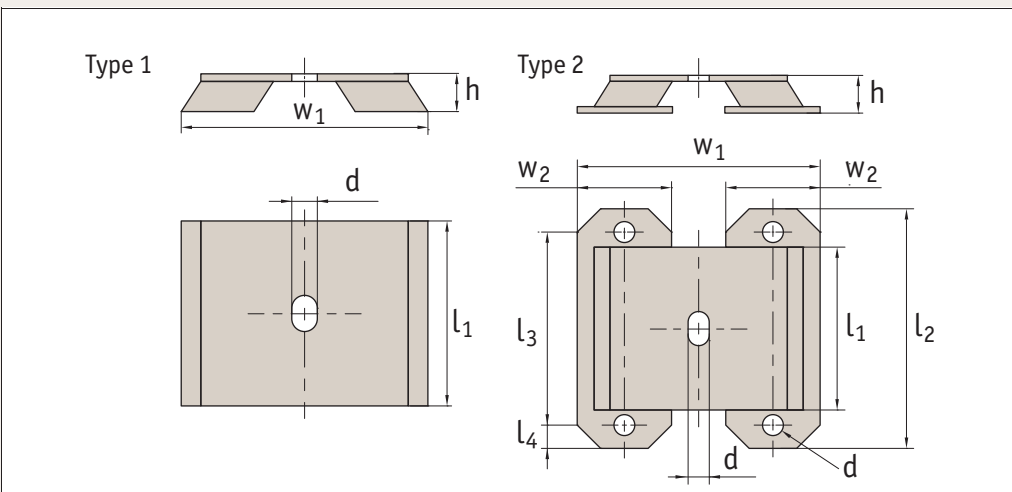
Order No.	Type	l ₁	w	h	l ₂	l ₃	l ₄	d	Compression max.	Max. axial load Kgf
P2042.050	Type 1	50	60	20	37	-	-	M12	2	250
P2042.100	Type 1	100	60	20	37	-	-	M12	2	500
P2042.150	Type 1	150	60	20	37	-	-	M12	2	750
P2042.200	Type 1	200	60	20	37	-	-	M12	2	1000
P2042.550	Type 2	50	60	23	37	85	115	M12	2	250
P2042.600	Type 2	100	60	23	37	135	165	M12	2	500
P2042.650	Type 2	150	60	23	37	185	215	M12	2	750
P2042.700	Type 2	200	60	23	37	235	265	M12	2	1000

Anti-vibration Mounts

rectangular



P2043



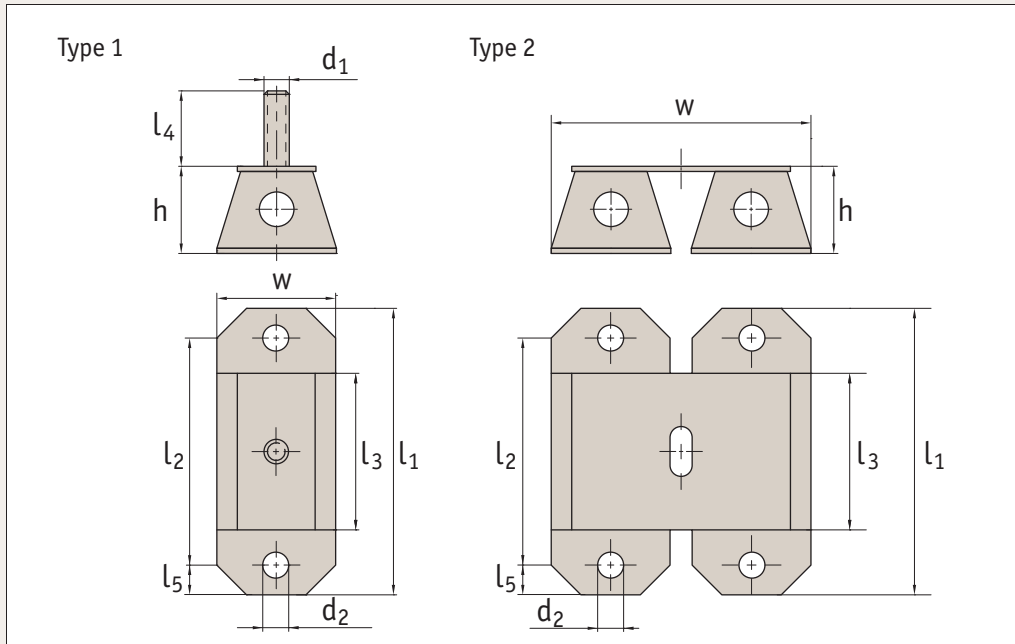
Material

Rubber on silver zinc plated steel
(rubber hardness - 55 Shore A).

Technical Notes

Used where transverse loads are present.

Order No.	Type	l_1	h	w_1	w_2	l_2	l_3	l_4	d	Compression max.	Max.static load Kgf
P2043.100	Type 1	100	20	130	-	-	-	-	13	2	850
P2043.550	Type 2	150	23	145	60	215	185	15	13	2	1300
P2043.600	Type 2	200	23	145	60	265	235	15	13	2	1700



P2044

Material

Rubber on silver zinc plated steel (rubber hardness - 55 Shore A).

Technical Notes

Type 1: M12 thread supplied as separate item to be screwed in if required.

Type 2: A twin version of type 1 and so therefore take heavier loads.

The central hole in the rubber pad increases the flexibility of the unit -

improving anti-vibration properties. Used where good deflection properties are needed and for isolating of frequencies higher than 10Hz.

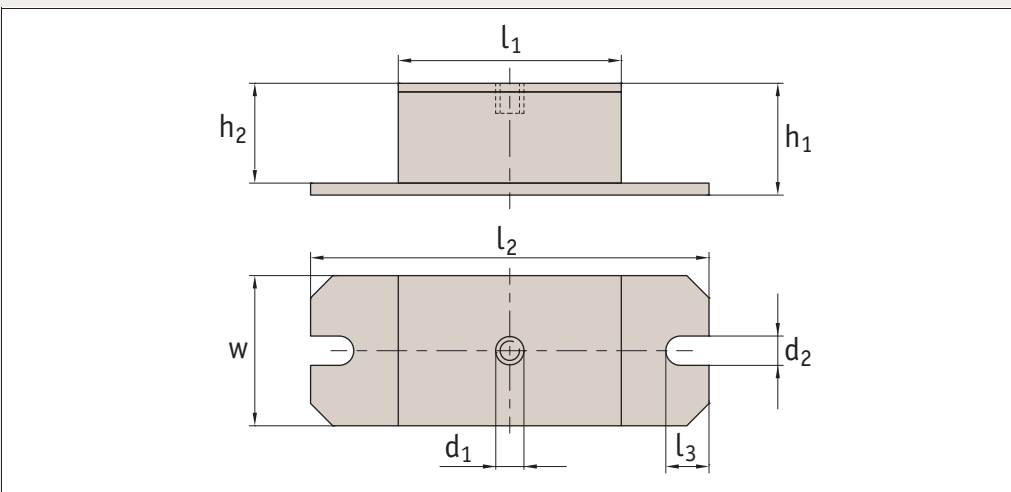
Order No.	Type	l ₁	w	l ₂	l ₃	l ₄	l ₅	d ₁	d ₂	h	Compression max.	Max.axial load Kgf
P2044.050	Type 1	115	60	85	50	37	15	M12	13	45	8	120
P2044.100	Type 1	165	60	135	100	37	15	M12	13	45	8	250
P2044.150	Type 1	215	60	185	150	37	15	M12	13	45	8	350
P2044.200	Type 1	265	60	235	200	37	15	M12	13	45	8	500
P2044.500	Type 2	165	130	135	100	-	15	-	13	45	8	500
P2044.550	Type 2	215	130	185	150	-	15	-	13	45	8	700
P2044.600	Type 2	265	130	235	200	-	15	-	13	45	8	1000

Anti-vibration Mounts

rectangular



P2045



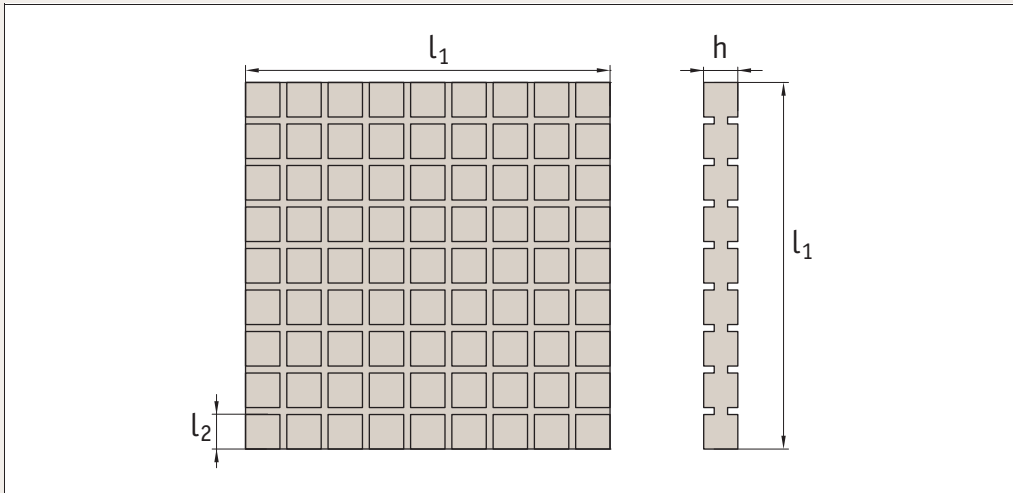
Material

Rubber on silver zinc plated steel.

Tips

Particularly useful for fans, generators, motors etc.

Order No.	Shore Hardness	d ₁	l ₁	l ₂	l ₃	w	h ₁	h ₂	d ₂	Max. load Kgf
P2045.055	55 A	M12	100	180	25	70	50	45	13	500
P2045.070	70 A	M12	100	180	25	70	50	45	13	1000
P2045.080	80 A	M12	100	180	25	70	50	45	13	1200



P2050

Material

Rubber hardness - 55 Shore A.

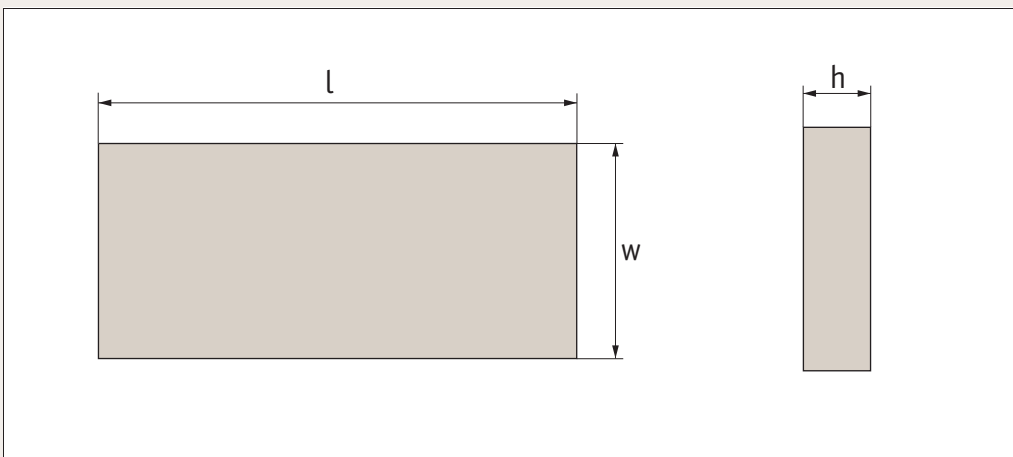
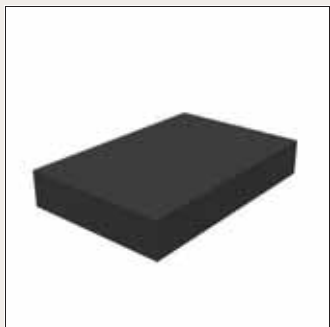
Technical Notes

The pad can be cut to suit the application as required.
Differs from a plain rubber mat as the squared units can deform - improving its anti-vibration features.

Tips

High frequency isolation (30-40Hz).
Own frequency 18Hz.
P2050.507 has a rhomboid tread.

Order No.	l_1	h	l_2	Compression max.	Max. load Kg/cm ²
P2050.214	210	14	10	2	8
P2050.305	300	5	10	1	8
P2050.307	300	7	10	1,6	8
P2050.507	500	7	10	1	8



P2051

Material

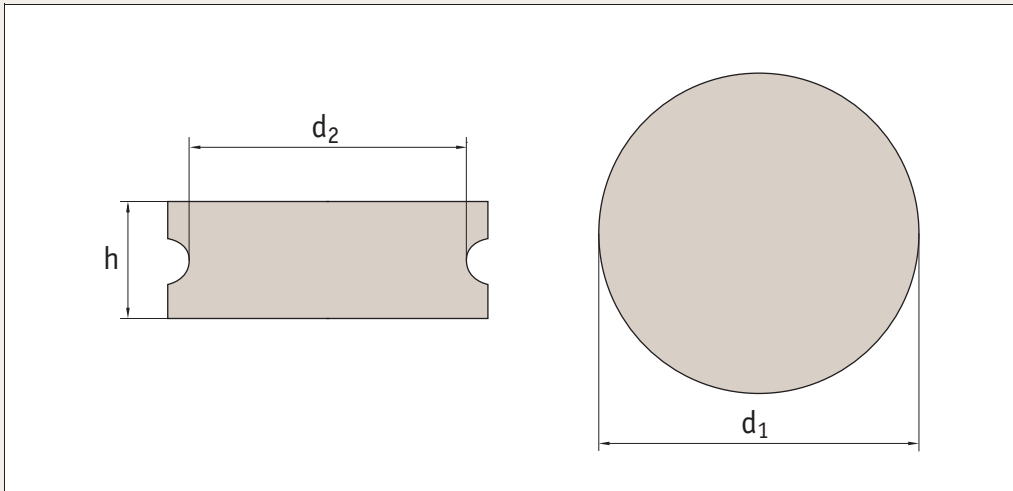
Rubber hardness - 50 or 65 Shore A.

Order No.	l	w	h	Shore hardness	Compression max.	Max. load Kgf
P2051.050	50	50	25	50	4	200
P2051.051	50	50	25	65	4	350
P2051.060	60	60	40	50	6	250
P2051.061	60	60	40	65	6	450
P2051.080	81	81	44	50	6	400
P2051.081	81	81	44	65	6	600
P2051.150	100	150	25	50	4	1100
P2051.151	100	150	25	65	4	3400
P2051.183	121	183	33	50	5	1400
P2051.184	121	183	33	65	5	2000
P2051.240	200	240	30	50	4,5	2500
P2051.241	200	240	30	65	4,5	3500

Rubber Pads

round

Miscellaneous

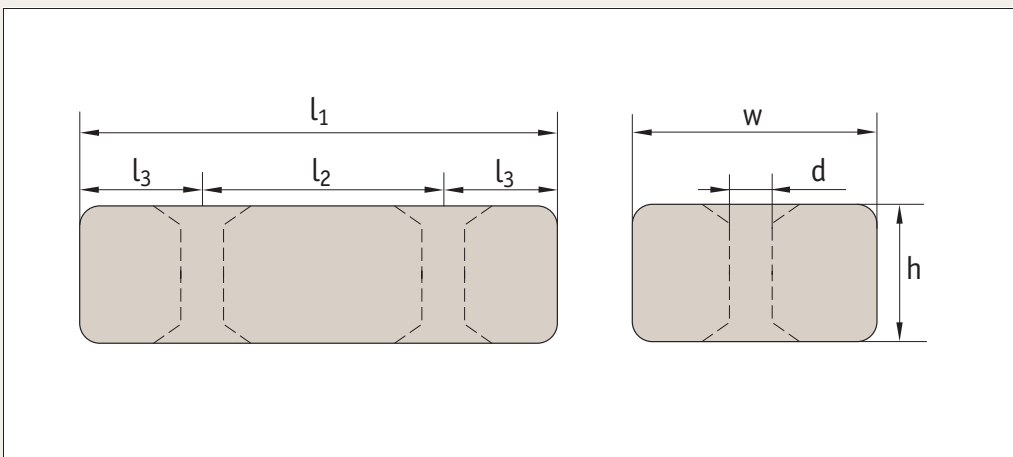


P2052

Material

Rubber hardness - 65 Shore A.

Order No.	d ₁	d ₂	h	Max. load Kgf
P2052.140	140	127	45	900
P2052.150	150	138	45	1000

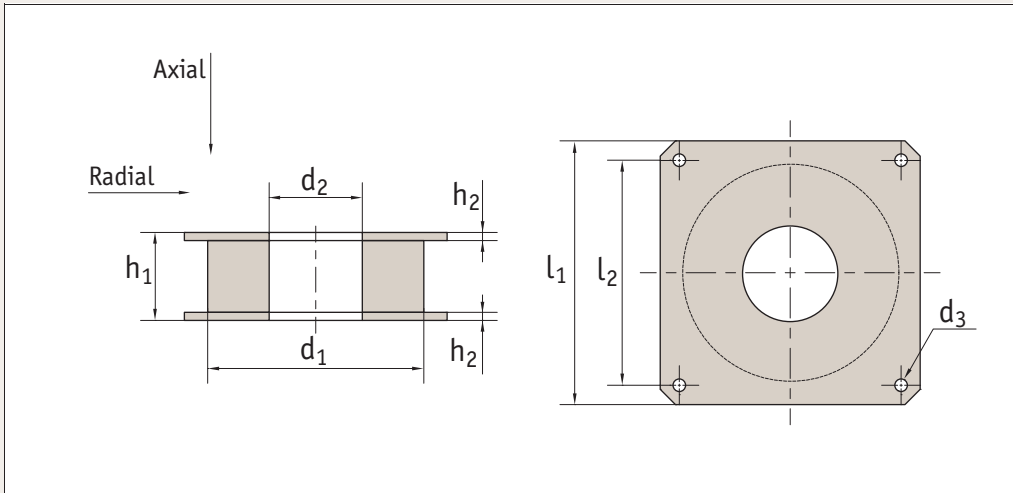


P2053

Material

Rubber hardness - 65 Shore A.

Order No.	l_1	w	h	l_2	l_3	d	Compression max.	Max. load Kgf
P2053.300	295	115	60	150	72,5	35	9	3000

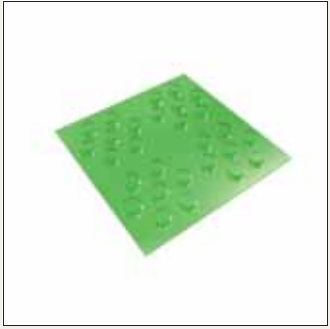


P2054

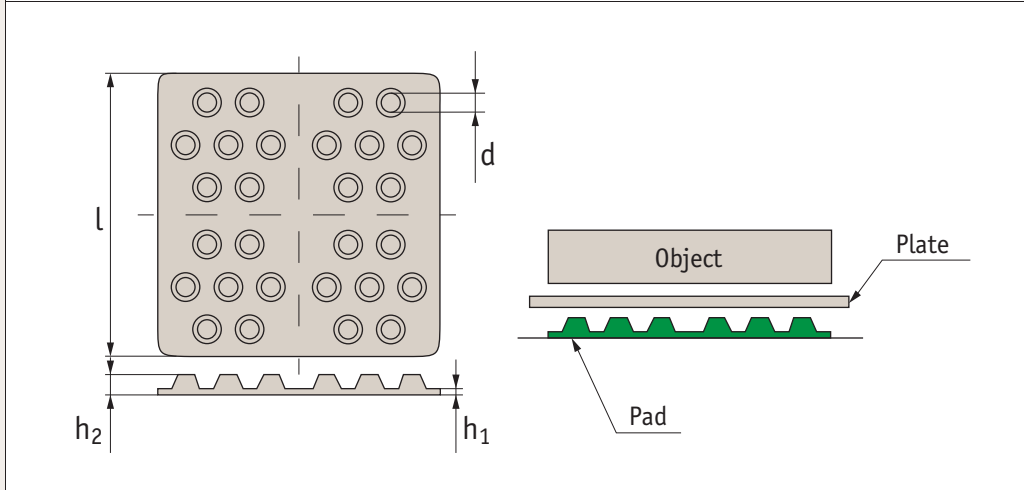
Material

Rubber on silver zinc plated steel
(rubber hardness - 65 Shore A).

Order No.	l_1	l_2	h_1	h_2	d_1	d_2	d_3	Max. axial compression	Max. radial compression	Max. axial load Kgf	Max. radial load Kgf
P2054.135	135	105	42	3	120	50	9	15	10	2500	300
P2054.170	170	145	100	4	140	65	15	15	10	2500	300
P2054.180	180	140	46	4	160	60	9	15	10	2500	300
P2054.210	210	165	55	5	185	70	11	15	10	2500	300
P2054.250	250	215	48	4	230	100	16	15	10	2500	300



P2056



Material

Silicone gel.

Technical Notes

If your application is too light to use with a full pad, you can simply add a plate to the pad to increase the overall load (as shown in the drawing). The pad can be cut up into 2 or 4 pieces to place under your application depending on the load. This pad can

be used for applications that require protection from small knocks and vibrations, for example laboratory and precision equipment. The silicone gel has a unique molecular structure that spreads the impact three dimensionally. This vibration pad is environmentally friendly and can withstand temperatures ranging from -40°C up to 200°C.

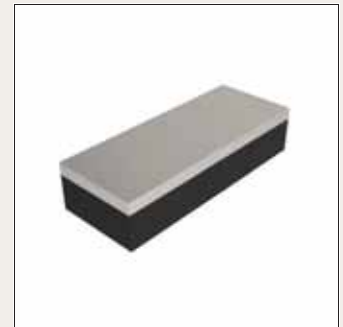
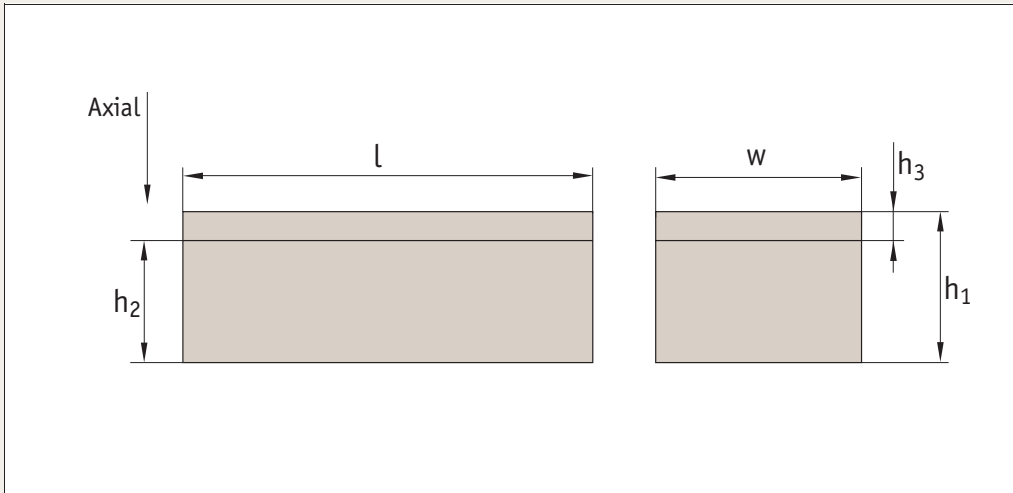
Tips

Peel off PET film before use to reveal the adhesive. They can be used repeatedly simply by removing the application, then repositioning in the desired place.

Order No.	Colour	l	h ₁	h ₂	d	Resonance point Hz	Resonance magnification dB	Recommended frequency Hz	Compression max.	Optimum Load Kg
P2056.100-002	Yellow	100	2	5	10	27~21	6	38~	1,4~3,0	0,5~2
P2056.100-005	Green	100	2	5	10	29~23	8	40~	1,5~2,5	2~5
P2056.100-015	Orange	100	2	5	10	26~18	13	37~	1,1~2,2	5~15
P2056.100-050	Blue	100	2	5	10	22~	20~18	30~	0,7~2,0	15~50

Pad Colours





P2060

Material

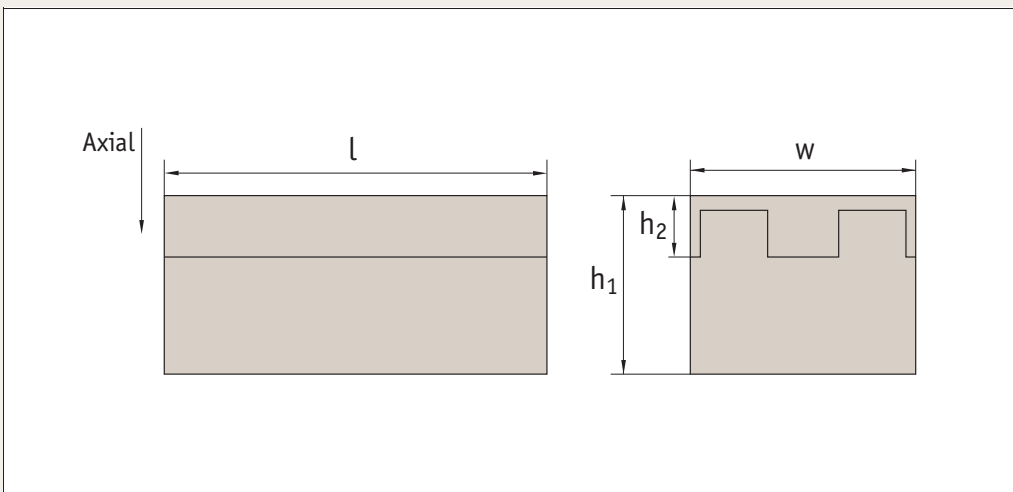
Rubber on silver zinc plated steel
(rubber hardness - 60 Shore A).

Technical Notes

The metal plate is provided blank so it can be drilled to suit the number of threads, thread sizes and the pitch you require.

Part no. P2060.0500-125 has a ribbed base. Other sizes can be supplied on request.

Order No.	l	w	h ₁	h ₂	h ₃	Compression max.	Max. axial load Kgf
P2060.0180-070	180	70	40	30	10	2,8	1000
P2060.0245-070	245	70	40	30	10	3,7	1300
P2060.0250-120	250	120	40	28	12	3,3	5000
P2060.0285-070	285	70	40	30	10	3,6	2000
P2060.0320-070	320	70	40	30	10	3,5	2700
P2060.0500-125	500	125	30	15	15	4,0	10000
P2060.1250-035	1250	35	40	30	10	2,0	2500



P2061

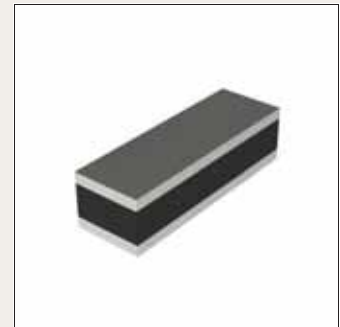
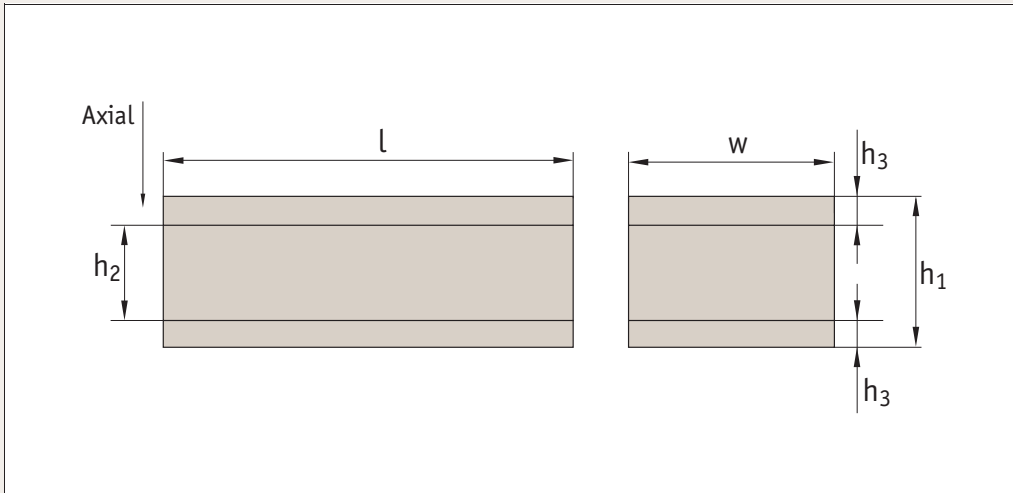
Material

Rubber on silver zinc plated steel
(rubber hardness - 60 Shore A).

Technical Notes

The metal plate is provided blank so it can be drilled to suit the number of threads, thread sizes and the pitch you require. Other sizes can be supplied on request.

Order No.	l	w	h ₁	h ₂	Max. axial load Kgf
P2061.350-060	350	60	40	13	1000
P2061.450-060	450	60	40	13	1500
P2061.550-060	550	60	40	13	2000



P2062

Material

Rubber on silver zinc plated steel
(rubber hardness - 60 Shore A).

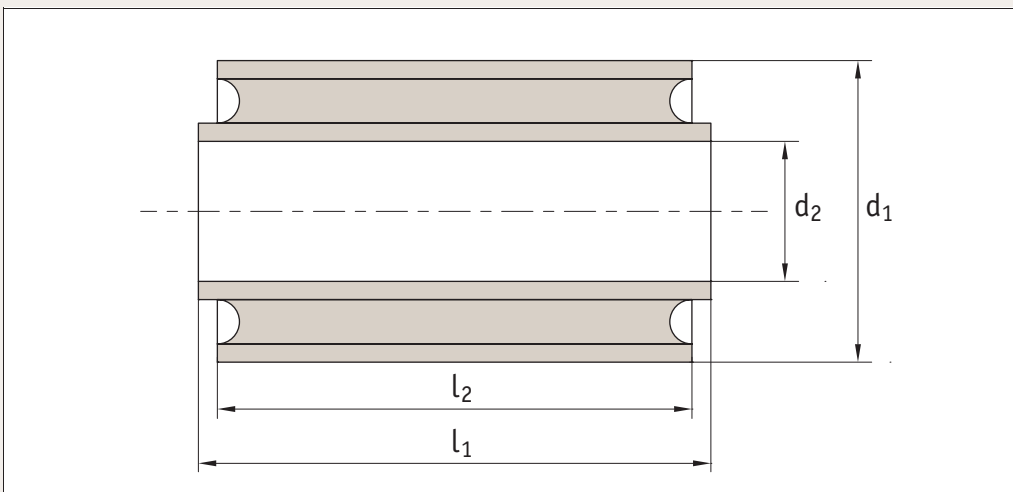
Technical Notes

The metal plates are provided blank so they can be drilled to suit the number of threads, thread sizes and the pitch you require. Other sizes can be supplied on request. Suitable for very heavy loads.

Order No.	l	w	h ₁	h ₂	h ₃	Max. axial load Kgf
P2062.415-100	415	100	60	30	15	4150
P2062.416-100	415	100	80	50	15	3740
P2062.500-150	500	150	80	50	15	6750
P2062.515-050	515	50	40	20	10	2800
P2062.516-050	515	50	50	30	10	2570
P2062.550-040	550	40	40	24	8	2200
P2062.600-070	600	70	50	30	10	4200
P2062.600-080	600	80	80	50	15	4320
P2062.601-070	600	70	55	35	10	4000
P2062.650-060	650	60	50	30	10	3900
P2062.651-060	650	60	60	40	10	3500



P2070



Material

Rubber on zinc plated steel.

Technical Notes

Useful to isolate vibration and reduce noise. The internal bush can move axially, radially, torsionally and pendular.

Tips

Install by only pushing on external ring when putting into place.

Order No.	d ₁	d ₂	l ₁	l ₂	Max. radial load Kgf	Radial compression Kgf	Max. axial load Kgf	Axial compression Kgf
P2070.008-016	16	8	15	15	30	0,2	15	0,8
P2070.009-020	20,5	9,5	15	13	35	0,2	15	1,0
P2070.010-021	21	10	26	24	70	0,4	25	1,5
P2070.010-027	27	10	20	20	80	0,2	25	1,0
P2070.011-024	24	11	18	16	90	0,3	24	0,8
P2070.012-026	26	12	24	20	70	0,5	27	1,7
P2070.012-050	50	12	50	45	200	1,1	60	2,1
P2070.012-054	54	12,8	44,5	40	180	1,0	50	2,0
P2070.014-027	27	14	54	48	330	0,4	95	1,5
P2070.014-030	30	14	28	25	120	0,3	40	2,0
P2070.014-031	31	14	35	33	170	0,3	70	2,0
P2070.015-030	30	14,5	42	38	150	0,2	48	1,8
P2070.015-050	50	14,5	24	20	70	0,9	45	2,0
P2070.016-044	44	16	32	28	88	0,7	47	1,6
P2070.016-054	54	16	28	22	80	1,5	40	3,4
P2070.018-035	35	18	40	40	190	0,3	80	2,0
P2070.018-043	43,5	18	42	35	200	0,8	85	3,8
P2070.020-040	40	20	46	40	250	0,4	80	1,2
P2070.020-041	41	20	20,5	20,5	100	0,4	40	1,0
P2070.020-045	45	20	62,5	59,5	300	0,5	160	1,1
P2070.022-040	40	22	45	40	850	0,5	115	2,2
P2070.022-063	63	22	72	65	670	0,6	265	4,0
P2070.024-042	42	24	55	50	550	0,5	150	1,8
P2070.024-050	50	24	71	65	750	0,7	220	2,4
P2070.025-045	45	25	50	50	550	0,5	150	1,8
P2070.025-065	65	25	55	45	450	0,6	180	3,8
P2070.025-083	83	25	100	90	400	2,0	130	5,0
P2070.028-048	48	28	36	34	210	0,7	100	2,5
P2070.028-065	65	28	70	65	600	1,7	280	4,8
P2070.028-075	75	28	135	125	1600	0,5	480	2,3
P2070.038-064	64	38	76	70	860	0,4	380	2,6

Order No.	d ₁	d ₂	l ₁	l ₂	Max. radial load Kgf	Radial compression Kgf	Max. axial load Kgf	Axial compression Kgf
P2070.040-075	75	40	70	57	600	0,6	350	2,8
P2070.042-078	78	42	86	80	1100	0,5	350	2,4
P2070.048-093	93	48	80	76	1500	0,6	800	5,3
P2070.050-090	90	50	100	86	1500	0,5	800	5,1
P2070.058-085	85	58	142	90	1800	0,5	350	1,6
P2070.060-110	110	60	182	170	3000	0,6	800	1,8
P2070.070-120	120	70	115	110	3500	1,0	800	3,5
P2070.080-140	140	80	180	170	7500	0,5	1500	2,5
P2070.100-145	145	100	120	110	2700	0,4	850	2,2
P2070.160-222	222	160	158	158	6000	1,0	1600	2,3

Radial

Axial

Pendular

Torsian

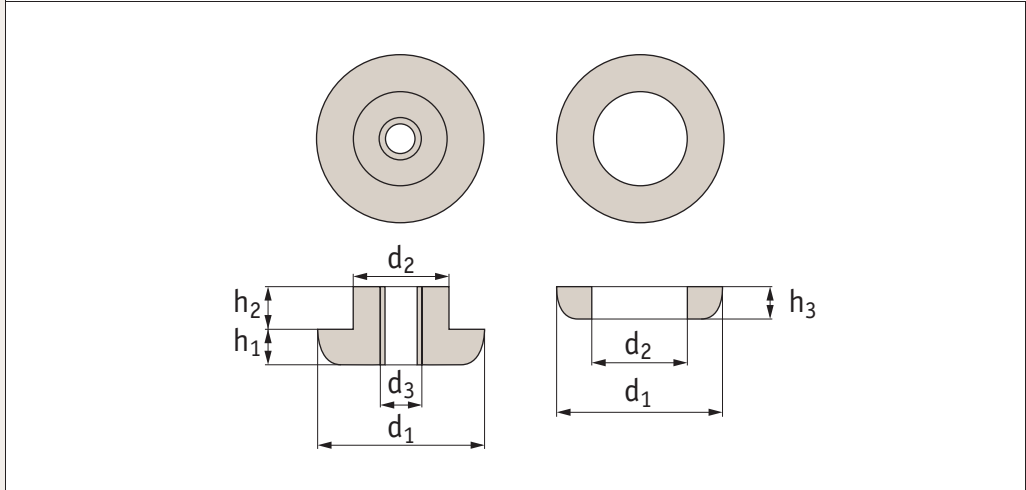
Inside Diameter (d ₂)	Tolerances	Inside Diameter (d ₁)	Tolerances
From 8 mm To 15 mm	- 0 / + 0,15	From 16 mm To 30 mm	- 0 / + 0,10
From 16 mm To 25 mm	- 0 / + 0,30	From 31 mm To 70 mm	- 0 / + 0,15
From 26 mm To 50 mm	- 0 / + 0,30	From 71 mm To 100 mm	- 0 / + 0,10
Over 51 mm to be defined	-	Over 101 mm to be defined	-

Anti-vibration Bushes

silicone gel, two-piece



P2071



Material

Silicone gel.

Technical Notes

This anti-vibration bush is ideal for applications with very light loads, such as PCBs and computer components. This range is handmade and has a unique molecular structure that spreads the impact three

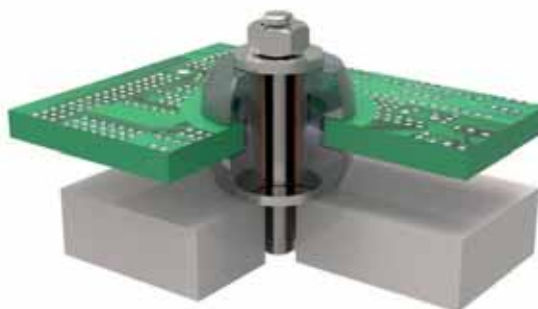
dimensionally. This gives it outstanding vibration and shock absorbing properties. It is able to dampen to lower frequencies than bushes made of neoprene or rubber. These effective qualities are reflected in the cost. For a lower cost alternative please see part number P2072.

Important Notes

The double washer mounts are made of two parts of gel, one of which incorporates an internal metal bush which acts as a guide.

Order No.	d ₁	d ₂	d ₃	h ₁	h ₂	h ₃	Resonance point Hz	Resonance magnification dB	Recommended frequency Hz	Optimum working load Kgf
P2071.01-11	11	7	4	3	3,5	3	64~42	7~9	0,2kg: 90~ 0,75kg : 60~	0,05-0,1875
P2071.01-14	14	9	5	4	4	4	67~35	9~10	0,5kg: 95~ 2,5kg : 50~	0,125-0,625
P2071.01-25	25	14	6	5	6,5	5	49~23	15~17	4kg: 70~ 15kg : 35~	1-3,75
P2071.02-14	14	9	5	4	4	4	49~37	15~16	2,5kg: 70~ 4,0kg : 55~	0,125-0,625
P2071.02-25	25	14	6	5	6,5	5	38~20	19~23	15kg : 40~ 32kg : 25~	3,75-8

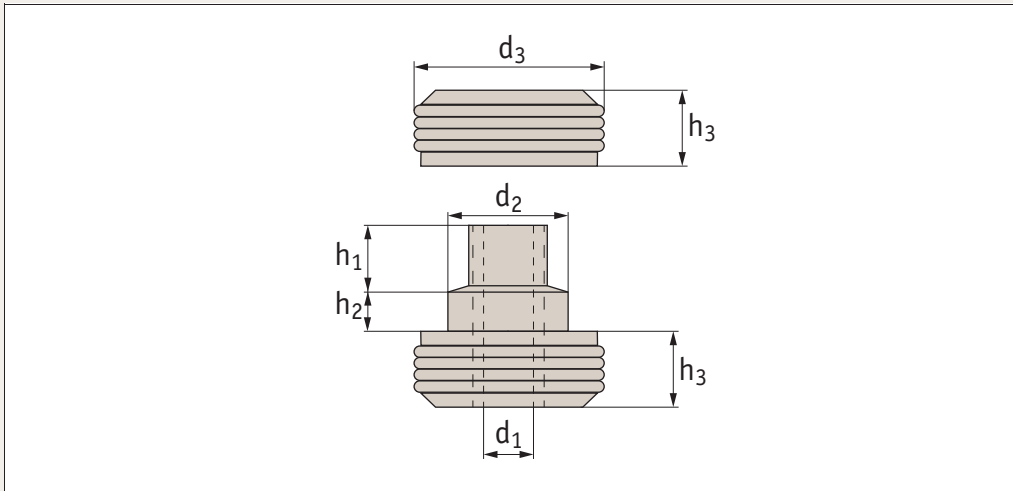
PCB Housing



Anti-vibration Bushes

rubber, two-piece

Miscellaneous



P2072

Material

Rubber on silver zinc plated steel.

Technical Notes

This anti-vibration mount is ideal for applications of major dynamic loads where movement control is necessary, such as in the cabin of all types of mobile vehicles. It also offers optimal stability, as well as good attenuation of impacts and vibrations.

Important Notes

The double washer mounts are made of two parts of rubber, one of which bears an inside metal bushing which acts as a guide through the machine anchoring screw.

Order no.	d ₁	h ₁	d ₂	d ₃	h ₂	h ₃	Plate min.	Plate max.	Max. load Kg
P2072.50-45	13,5	18,1	32,5	48	10,5	21,4	12,5	14	80
P2072.50-60	13,5	18,1	32,5	48	10,5	21,4	12,5	14	130
P2072.65-45	16,5	24	39,5	64	15	23	19	22	120
P2072.65-60	16,5	24	39,5	64	15	23	19	22	260
P2072.90-45	22,5	29	58	90	19	25	25	29	260
P2072.90-60	22,5	29	58	90	19	25	25	29	450

Mounting Style 1



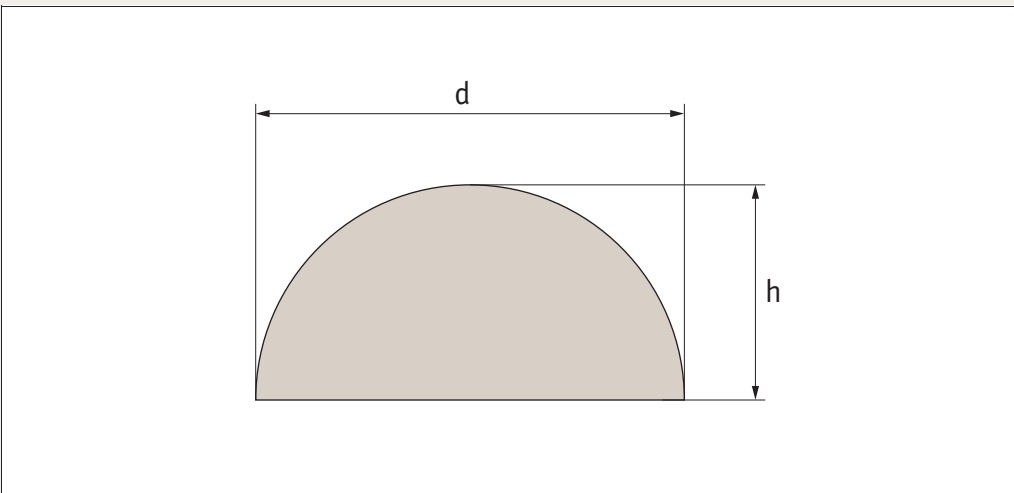
Mounting Style 2



Tel: 0845 850 99 40
Fax: 0845 850 99 41

Email: sales@avcomponents.co.uk
Web: antivibrationcomponents.co.uk

**ANTI-VIBRATION
COMPONENTS**



P2073

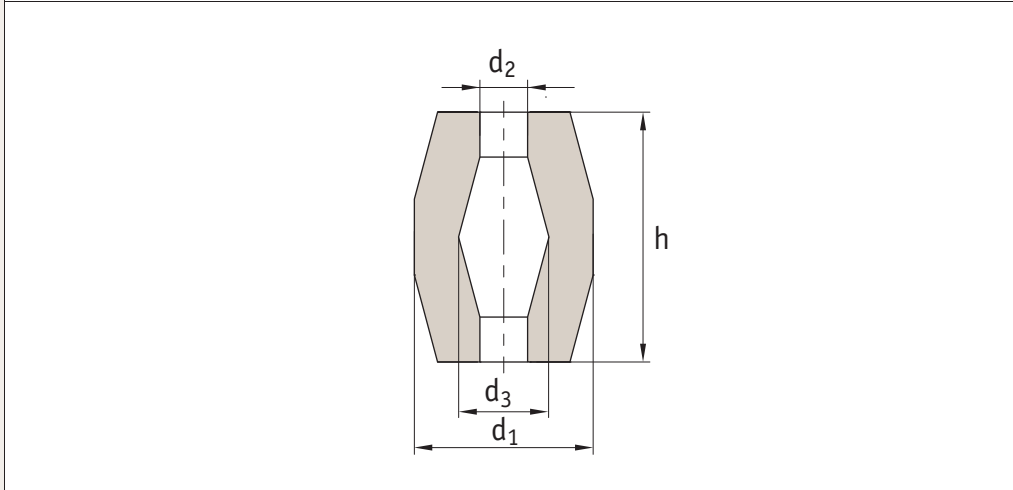
Material
Sorbothane.

Technical Notes

Sorbothane hemisphere mounts provide a quick, cost effective method of isolating bench equipment and small machinery.

Simply place the hemisphere under the unit to be isolated with the curved surface up. Expect a 25-30% deflection when statically loaded.

Order No.	Type	d	h	Max. load Kgf
P2073.019	Without adhesive	19,0	9,5	2,5
P2073.032	Without adhesive	31,8	15,8	5,0
P2073.050	Without adhesive	50,8	25,5	8,5
P2073.019-A	With adhesive	19,0	9,5	2,5
P2073.032-A	With adhesive	31,8	15,8	5,0
P2073.050-A	With adhesive	50,8	25,5	8,5



P2074

Material

Rubber hardness - 55 Shore A.

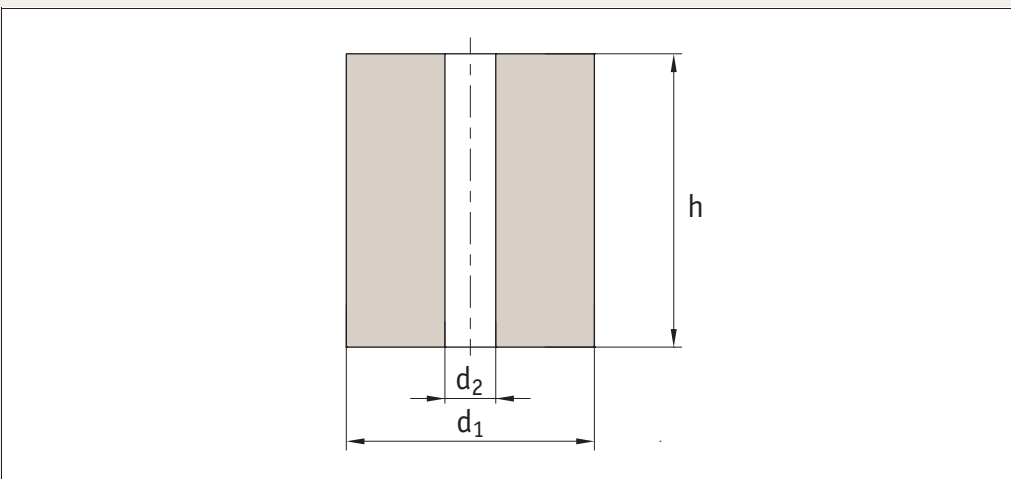
Technical Notes

Used in a wide range of vibrating machines.
 Allows high deformation with excellent spring back characteristics.
 Supports axial and radial loads but not designed for traction or tension loads.
 For radial loads please contact our Technical Department.

Order No.	d ₁	h	d ₂	d ₃	Compression max.	Max. axial load Kgf
P2074.095	95	88	23	30	28	200
P2074.100	100	110	20	30	36	500
P2074.144	144	122	40	23	48	1000
P2074.150	150	90	35	35	24	2000
P2074.155	155	150	30	25	64	2500
P2074.188	188	180	41	41	80	3500



P2075



Material

Rubber hardness - Shore 55 A.

Technical Notes

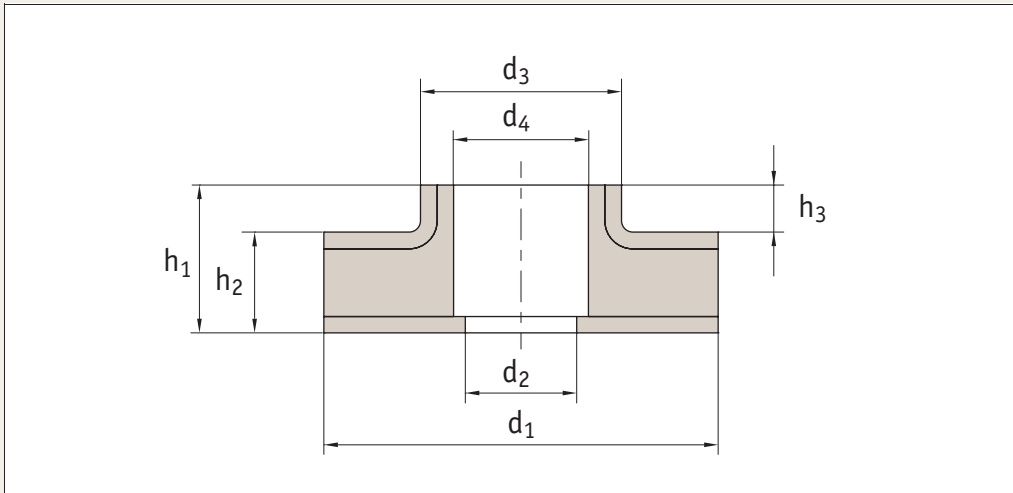
Used in a wide range of vibrating machines.

Allows high deformation with excellent spring back characteristics.

Supports axial and radial loads but not designed for traction or tension loads.

For radial loads please contact our Technical Department.

Order No.	d ₁	d ₂	h
P2075.020-015	20	6	15
P2075.030-020	30	8	20
P2075.030-022	30	8	22
P2075.035-030	35	12	30
P2075.035-040	35	12	40
P2075.040-030	40	10	30
P2075.045-035	45	10	35
P2075.045-045	45	10	45
P2075.050-045	50	10	45
P2075.060-012	60	12	40
P2075.070-045	70	14	45
P2075.080-050	80	16	50
P2075.080-080	80	20	80
P2075.093-120	93	20	120
P2075.100-060	100	20	60
P2075.100-147	100	20	147
P2075.110-070	110	22	70
P2075.130-060	130	25	60
P2075.148-190	148	50	190
P2075.160-100	160	30	100
P2075.170-110	170	31	110
P2075.200-125	200	70	125
P2075.250-300	250	60	300



P2080

Material

Rubber on silver zinc plated steel.

Technical Notes

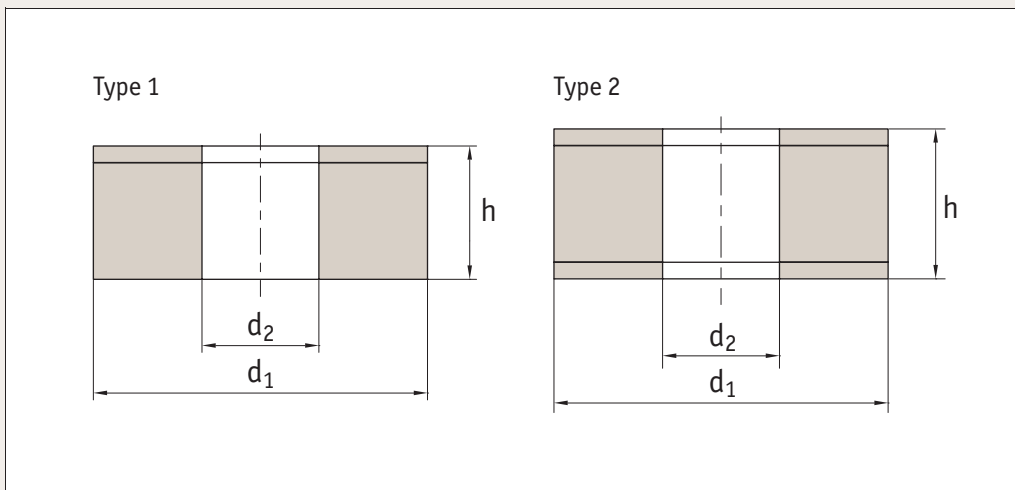
Static load relates to the load the unit can withstand under compression. Used where axial and radial loads are present. For frequencies higher than 20Hz.

Order No.	d ₁	d ₂	d ₃	d ₄	h ₁	h ₂	h ₃	Max. static load Kgf
P2080.036	36	8,5	18	12	14	10	4	100
P2080.037	36	16,5	20	16,5	11,5	8,5	3	120
P2080.050	50	16,5	23	20	22	13,5	8,5	150
P2080.051	50	28	34	28	18	10,5	7,5	100
P2080.055	55	24	31	28	15	11,5	3,5	175
P2080.060	60	20,5	27	24	22	13	9	240
P2080.075	75	24,5	33	29,5	27	20	8	300





P2081



Material

Rubber on silver zinc plated steel.

Technical Notes

Static load relates to the load the unit can withstand under compression.

Used where axial and radial loads are present.

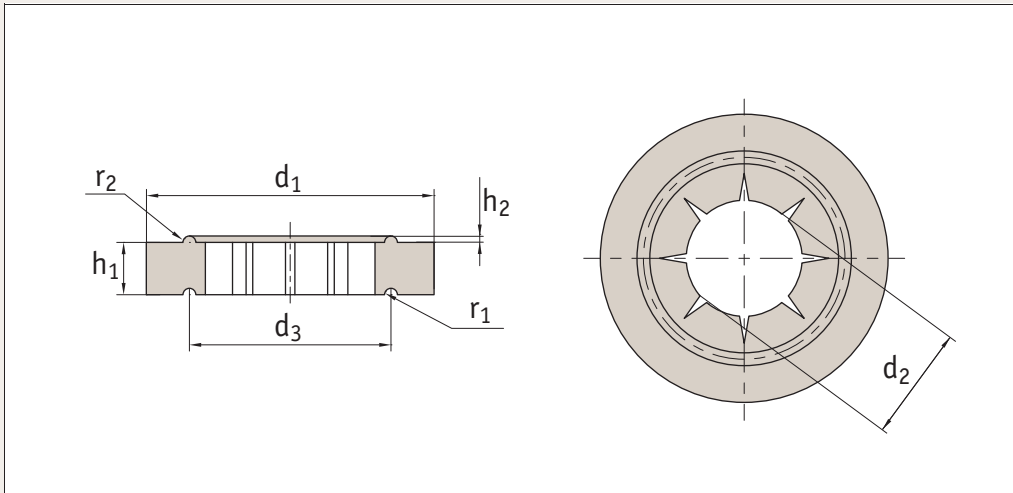
For frequencies higher than 20Hz.

Order No.	Type	d ₁	d ₂	h
P2081.040	Type 1	40	12	20
P2081.041	Type 1	40	14	15
P2081.050	Type 1	50	16	20
P2081.060	Type 1	60	22	30
P2081.075	Type 1	75	25	25
P2081.100	Type 1	100	32	11
P2081.550	Type 2	50	15	30
P2081.560	Type 2	60	20	30
P2081.570	Type 2	70	20	30
P2081.600	Type 2	100	41	35

Anti-vibration Rings

internal star design

Miscellaneous



P2082

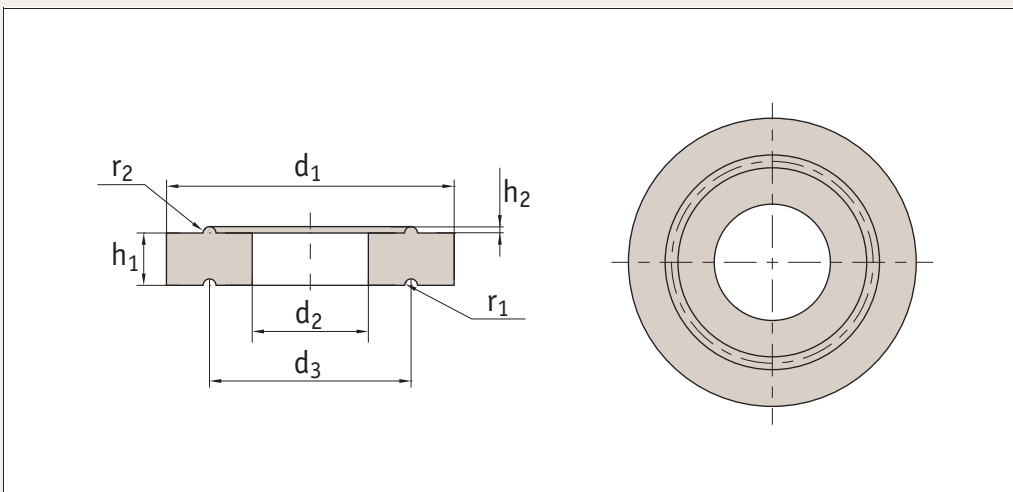
Material

Rubber on silver zinc plated steel
(rubber hardness - 65 Shore A).

Order No.	d ₁	d ₂	d ₃	h ₁	h ₂	r ₁	r ₂	Compression max.	Max. axial load Kgf
P2082.162	162	66	114	30	2,5	4,5	2,5	5	2000
P2082.170	170	95	125	23	2,5	5	2,5	4	2000
P2082.210	210	88	164	24	2	4	2	4,5	6000



P2083



Material

Rubber hardness 70 Shore A.

Order No.	d ₁	d ₂	h ₁	d ₃	h ₂	r ₁	r ₂	Compression max.	Max. axial load Kgf
P2083.070	70	30	14	50	2	7	4	2	200
P2083.072	72	32	23	52	2	2	2	7	400
P2083.073	72	32	23	52	2	2	2	8,5	900
P2083.076	76	37	12,5	58	3,5	2,5	2,5	2	550
P2083.114	114	66	15	90	3	3	3	3,2	500
P2083.115	114	66	15	90	3	3	3	5	1500
P2083.116	116	52	23,5	84	2,5	3,5	2,5	3,5	800
P2083.117	116	52	23,5	84	2,5	3,5	2,5	3,5	1000
P2083.120	120	50	27,5	85	2,5	2,5	2,5	3,5	1000
P2083.174	174	126	15	150	3	3	3	2	2000
P2083.192	192	55	31	122	3	4	3	3,1	4340
P2083.207	207	108	28	160	2	4	4	2,5	3000