

ANTI-VIBRATION[®] COMPONENTS

...vibration isolation

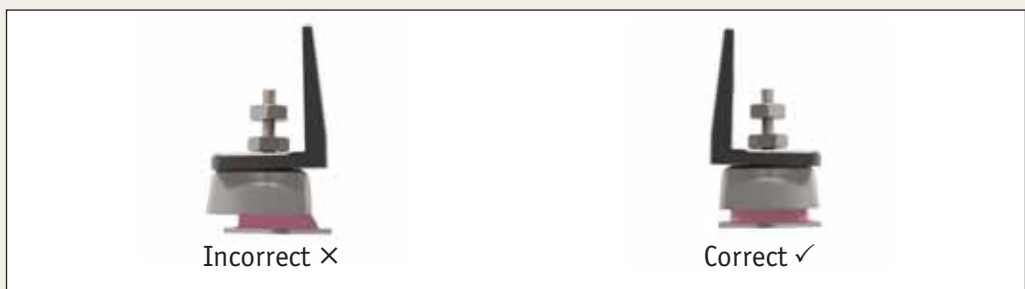
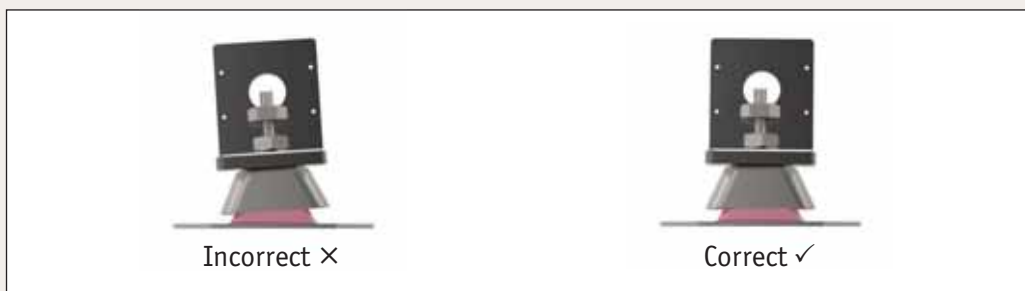
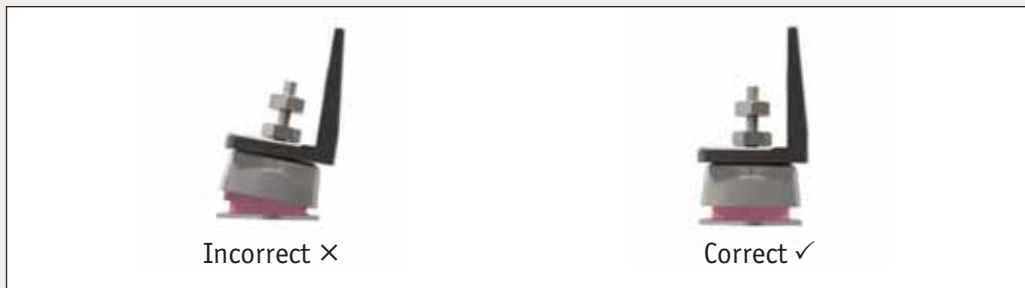
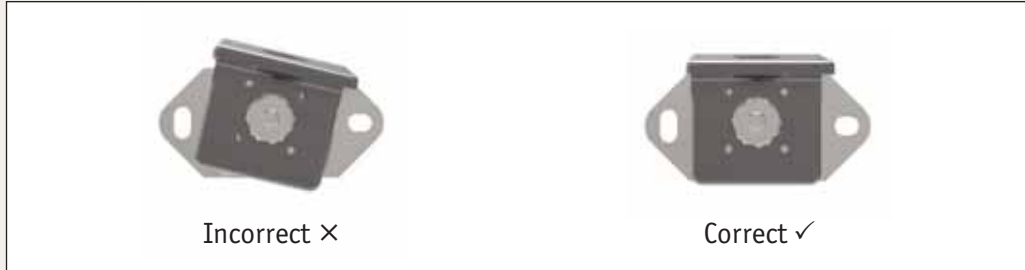
Mounts





Recommendations for Machine Mounts

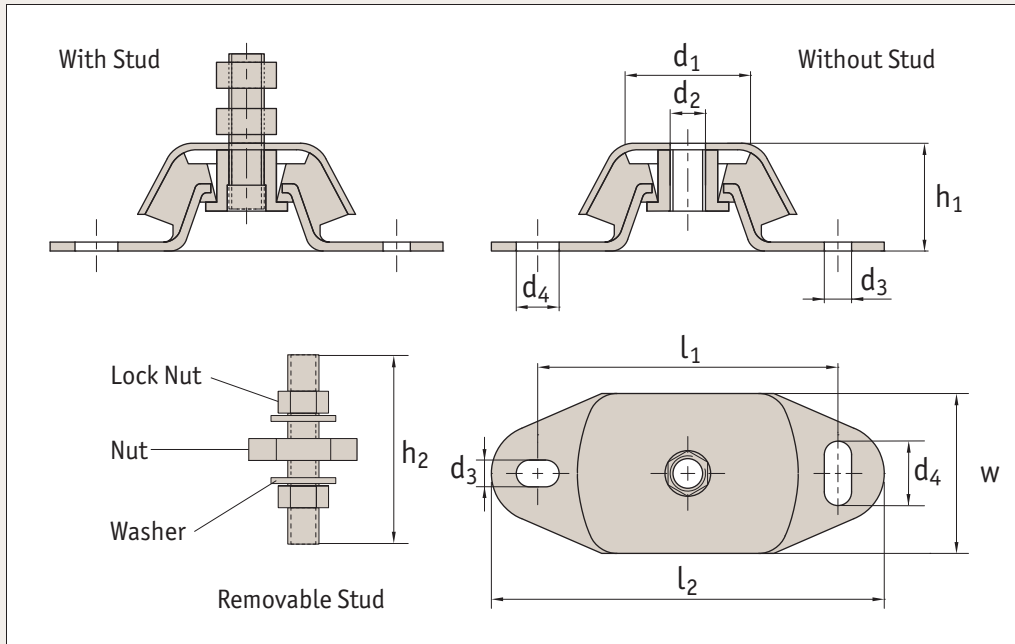
The machine mounts should be installed between two parallel and perfectly flat surfaces. Mounts operating tilted or twisted do not work properly. This may be due to incorrect alignment, tolerances in the building of the structure or over-tightened torque during the installation of the anti-vibration mounts.



Anti-vibration Fail Safe Mounts

steel

Mounts



P2100

Material

Rubber on silver zinc plated steel (rubber hardness - 45-75 Shore A).

Technical Notes

These mounts control vibration in three axes. Primarily used for marine applications, engines, compressors, pumps, generators etc. Fitted with a mechanical fail-safe stop. They are very robust to cope with high start/stop forces and vibrations from marine and other engines.

For stainless steel versions please see part nos. P2101 and P2102. Stud and nuts on request.

Tips

These are a very popular anti-vibration mount for light to heavy duty applications. Take the total weight of the load to be supported, divide it by the number of mounts to be used and select an appropriate mount from the table.

Order No.	d ₁	d ₂	l ₁	l ₂	w	d ₃	d ₄	h ₁	h ₂	Max. load Kg
P2100.60-45	60	M12	100	120	60	11	14	40	95	50
P2100.60-55	60	M12	100	120	60	11	14	40	95	65
P2100.60-65	60	M12	100	120	60	11	14	40	95	100
P2100.75-45	75	M16	140	183	75	13	20	50	110	150
P2100.75-55	75	M16	140	183	75	13	20	50	110	200
P2100.75-65	75	M16	140	183	75	13	20	50	110	300
P2100.75-75	75	M16	140	183	75	13	20	50	110	550
P2100.80-65	80	M20	182	230	112	18	25	70	110	750

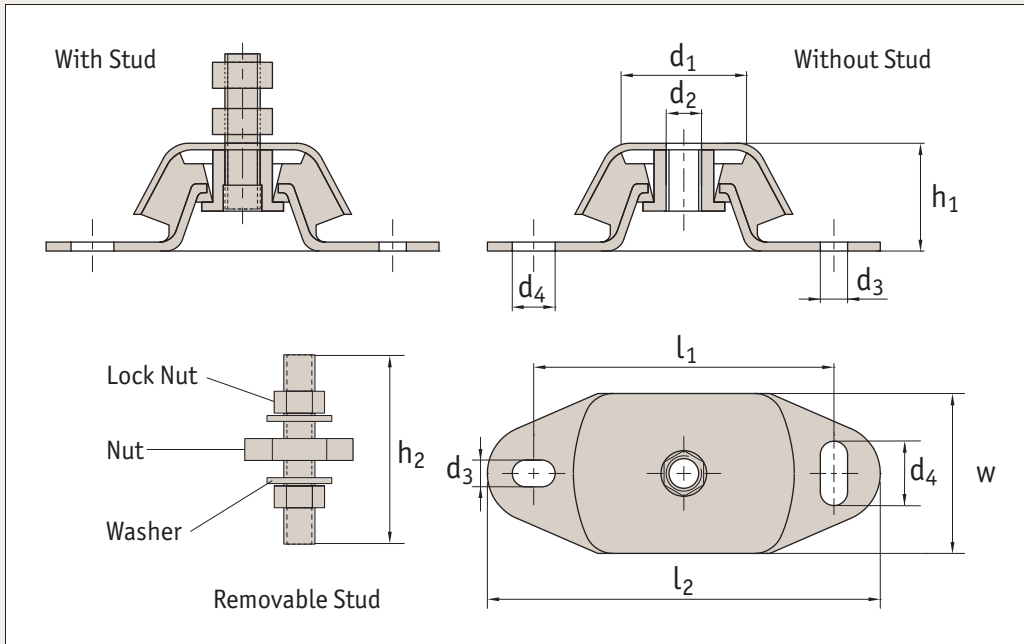
Tel: 0845 850 99 40
Fax: 0845 850 99 41

Email: sales@avcomponents.co.uk
Web: antivibrationcomponents.co.uk

**ANTI-VIBRATION
COMPONENTS**



P2101



Material

Stainless steel (AISI 304), (rubber hardness 45-65 Shore A).

Technical Notes

These mounts control vibration in three axes. Primarily used for marine applications, engines, compressors, pumps, generators etc. Fitted with a mechanical fail-safe stop. They are very robust to cope with high start/stop forces and vibrations from marine and other engines.

The stainless steel versions are widely used for marine engine mounts or outdoor applications. For offshore or highly corrosive environments use part no. P2102. Stud and nuts on request.

Tips

These are a very popular anti-vibration mount for light to heavy duty applications.

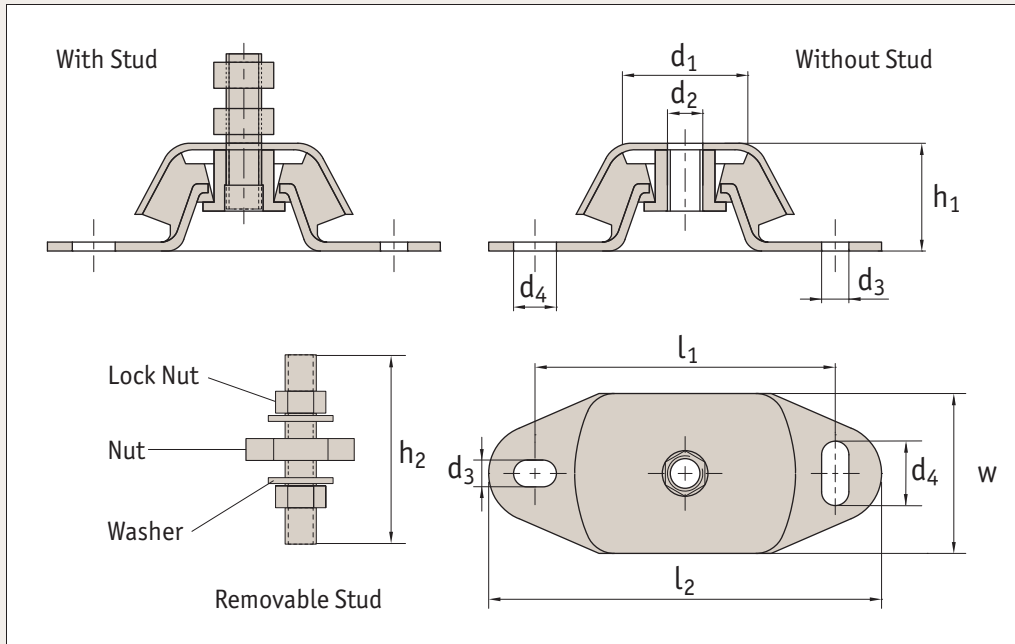
Take the total weight of the load to be supported, divide it by the number of mounts to be used and select an appropriate mount from the table.

Order No.	d ₁	d ₂	l ₁	l ₂	w	d ₃	d ₄	h ₁	h ₂	Max. load Kg
P2101.60-45	60	M12	100	120	60	11	14	40	95	50
P2101.60-55	60	M12	100	120	60	11	14	40	95	65
P2101.60-65	60	M12	100	120	60	11	14	40	95	100
P2101.75-45	75	M16	140	183	75	13	20	50	110	150
P2101.75-55	75	M16	140	183	75	13	20	50	110	200
P2101.75-65	75	M16	140	183	75	13	20	50	110	300

Anti-vibration Fail Safe Mounts

316 stainless

Mounts



P2102

Material

Stainless steel (A4, 316) - rubber hardness 65-75 Shore A.

Technical Notes

These mounts control vibration in three axes. Primarily used for marine applications, engines, compressors, pumps, generators etc. Fitted with a mechanical fail-safe stop. They are very robust to cope with high start/stop forces and vibrations from marine and other engines.

These stainless steel versions are widely used for marine engine mounts or applications that are either offshore or have a very high corrosion level. Stud and nuts on request.

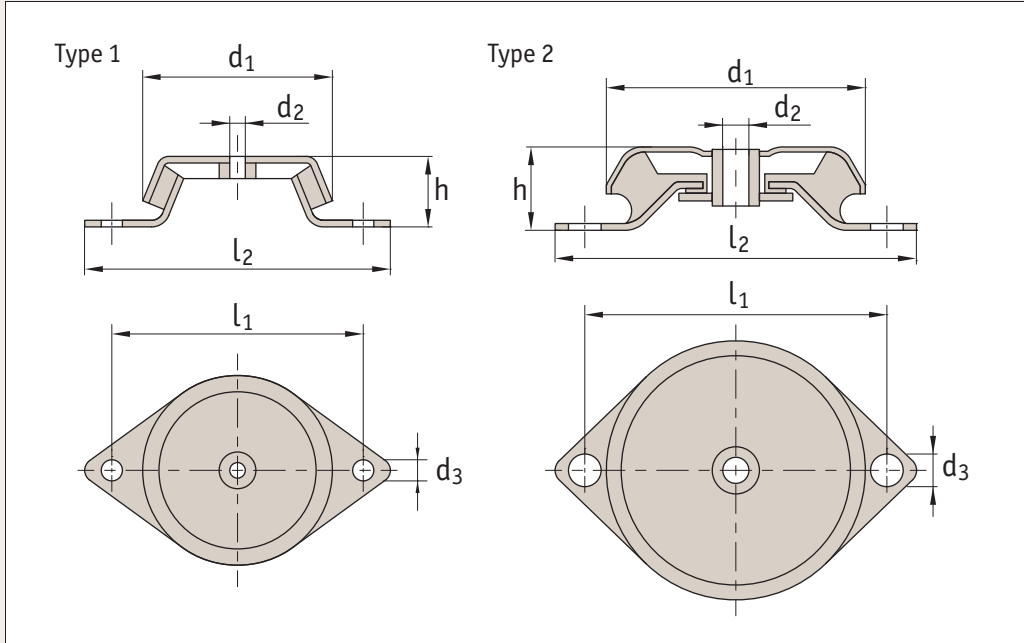
Tips

These are a very popular anti-vibration mount for light to heavy duty applications. Take the total weight of the load to be supported, divide it by the number of mounts to be used and select an appropriate mount from the table.

Order No.	d ₁	d ₂	l ₁	l ₂	w	d ₃	d ₄	h ₁	h ₂	Max. load Kg
P2102.60-65	60	M12	100	120	60	11	14	40	95	100
P2102.75-75	75	M16	140	183	75	13	20	50	110	550



P2103



Material

Rubber on silver zinc plated steel
(rubber hardness - 60 Shore A).

Technical Notes

Provides an elastic support mechanism for equipment isolation. Used in generator sets, motors, pumps and most other machine parts. Please note for marine applications or very demanding use we recommend the mounts with 'fail-safe' features part numbers P2100, P2101 and P2102.

Tips

These are a very popular anti-vibration mount for light to heavy duty applications.

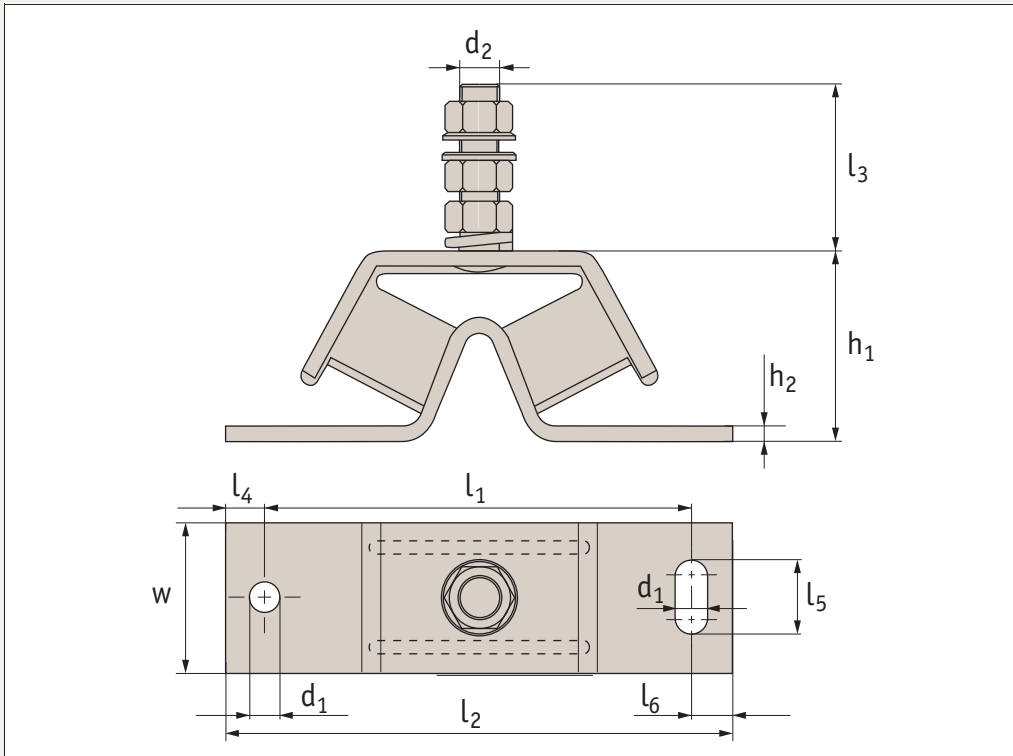
Take the total weight of the load to be supported, divide it by the number of mounts to be used and select an appropriate mount from the above table. Type 2 is 'fail-safe'.

Order No.	Type	d ₁	d ₂	d ₃	h	l ₁	l ₂	Max. axial load Kgf
P2103.050-065	Type 1	50	M 8	6,2	23	68	80	100
P2103.060-065	Type 1	60	M10	8,2	30	85	105	200
P2103.090-065	Type 1	90	M12	10,2	45	110	139	300
P2103.105-065	Type 1	105	M12	12,4	38	140	173	400
P2103.156-065	Type 2	156	M16	20	53	182	218	1300

Anti-vibration Mounts

v-shaped marine mount

Mounts



P2104

Material

Rubber on black zinc plated steel (rubber hardness 40-70 Shore A).

Technical Notes

This mount has a v-shaped design providing high deflections for relatively low loads. This means that the natural frequency is low and ideal for engines which normally work at idle speed.

Tips

It is used in applications where the load to be supported is low, and where high deflection is required to reach high vibration isolation levels. Small vehicles or machines, small and medium sized generator sets and marine engines.

Order No.	d_1	l_1	w	d_2	h_1	h_2	l_2	l_3	l_4	l_5	l_6	Max. load Kgf
P2104.16-40	12,2	173	60	M16	75	6,2	205	70	15,8	17	16,2	40
P2104.16-50	12,2	173	60	M16	75	6,2	205	70	15,8	17	16,2	75
P2104.16-60	12,2	173	60	M16	75	6,2	205	70	15,8	17	16,2	100
P2104.16-70	12,2	173	60	M16	75	6,2	205	70	15,8	17	16,2	150

Tel: 0845 850 99 40
Fax: 0845 850 99 41

Email: sales@avcomponents.co.uk
Web: antivibrationcomponents.co.uk

**ANTI-VIBRATION
COMPONENTS**

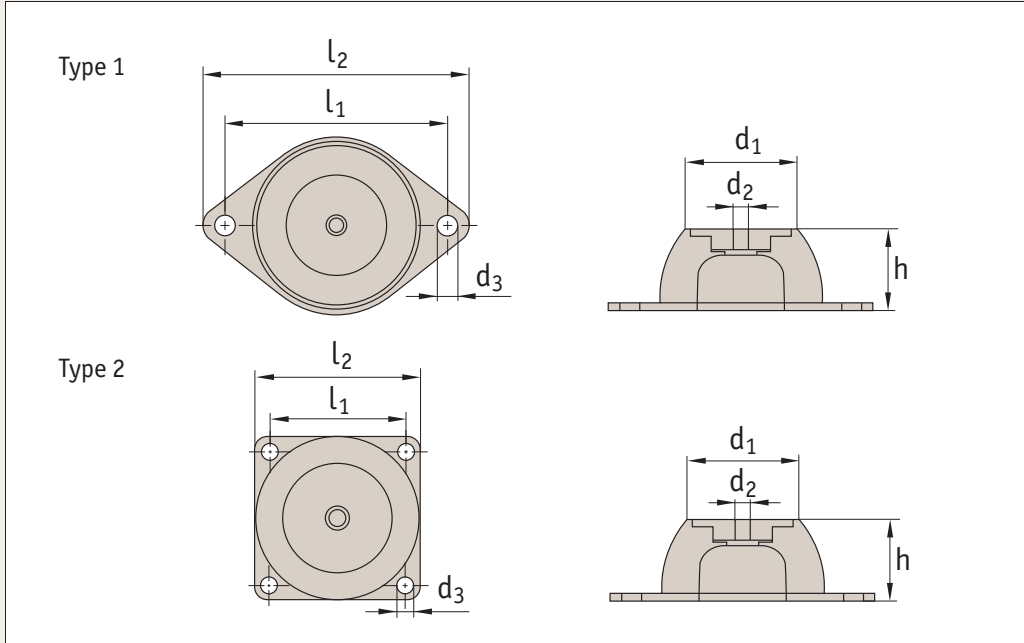


Anti-vibration Mounts

dome



P2105



Material

Rubber on yellow zinc plated steel
(rubber hardness 45-65 Shore A).

Technical Notes

The design of the mount makes them ideal for machines that move in three directions.

Tips

These mounts are found on compressors, air conditioners, ventilators and vibrating tables.

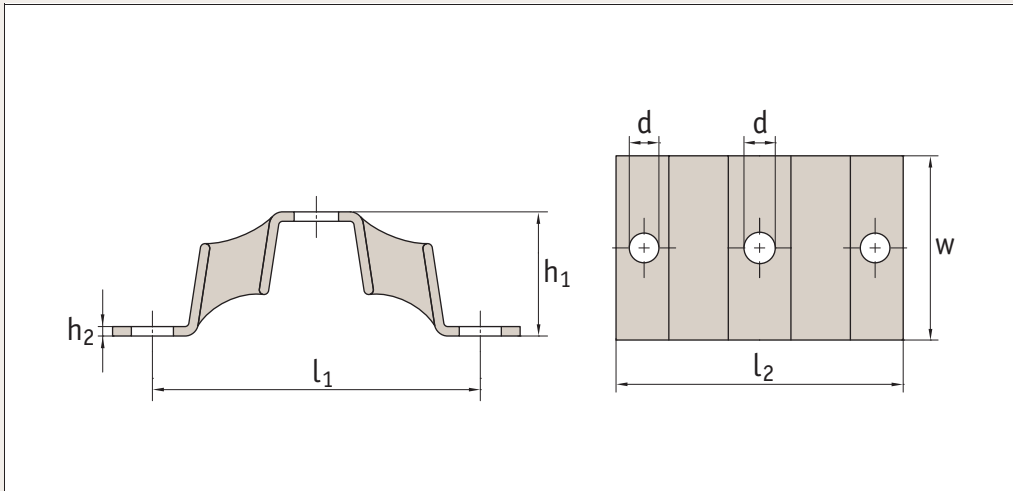
Order No.	Type	d ₁	h	d ₂	l ₁	l ₂	d ₃	Max. load Kgf
P2105.45-45	Type 1	33	25	M 8	66	85	8	20
P2105.45-60	Type 1	33	25	M 8	66	85	8	50
P2105.65-45	Type 1	48	35	M10	92	114	10	40
P2105.65-60	Type 1	48	35	M10	92	114	10	75
P2105.85-45	Type 1	48	38	M10	110	136	11,5	75
P2105.85-60	Type 1	48	38	M10	110	136	11,5	120
P2105.90-45	Type 1	57	45	M10	124	151	11,5	130
P2105.90-60	Type 1	57	45	M10	124	151	11,5	220
P2105.130-45	Type 2	76	63	M12	120	150	14,5	280
P2105.130-60	Type 2	76	63	M12	120	150	14,5	500
P2105.170-45	Type 2	93	85	M16	160	200	14,5	380
P2105.170-60	Type 2	93	85	M16	160	200	14,5	750
P2105.250-45	Type 2	187	160	M24	250	310	18	1400
P2105.250-60	Type 2	187	160	M24	250	310	18	2500



Anti vibration Mounts

v shaped

Mounts



P2107

Material

Rubber on silver zinc plated steel
(rubber hardness 45-65 Shore A).

Technical Notes

Has a three point anchorage, two to a base and one to the piece of equipment. Very good as a shock/ isolating mount for oscillations higher than 15Hz.

Tips

Can be used to hang compressors, speakers and air conditioning units from the wall.

Order No.	Shore Hardness	d	h ₁	h ₂	l ₁	l ₂	w	Compression max.	Max. axial load Kgf	Max. radial load Kgf
P2107.045	45	12	35	3	90	112	73	2,5	60	60
P2107.055	55	12	35	3	90	112	73	3,5	65	65
P2107.065	65	12	35	3	90	112	73	6,0	70	70

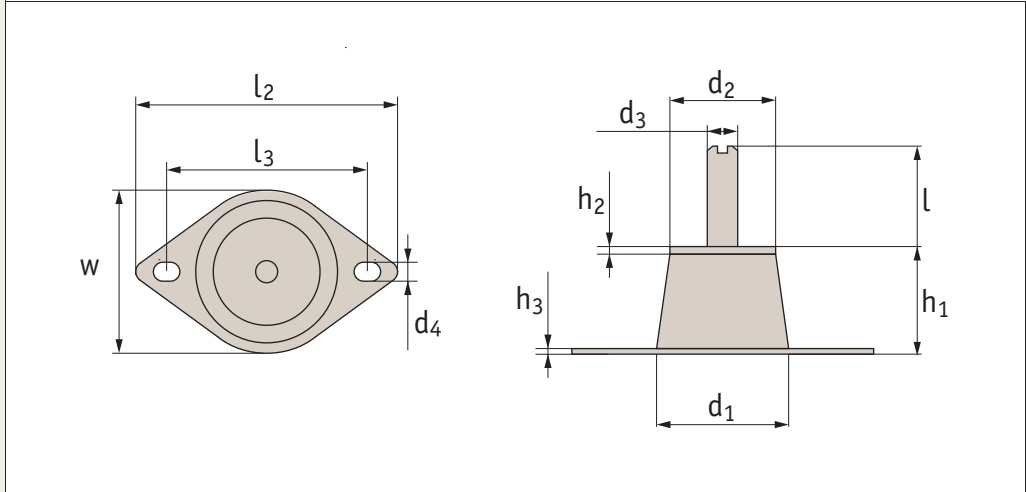


Anti-vibration Mounts

silicone gel



P2108



Material

Silicone gel on zinc plated steel base plate with a steel bolt.

Technical Notes

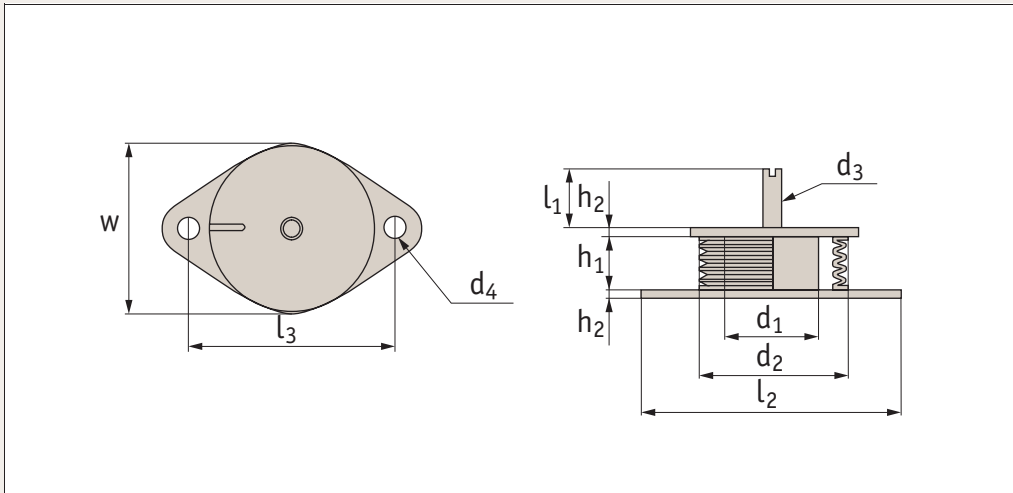
For applications that use a base plate instead of a bolt.

Order No.	d ₁	d ₂	d ₃	d ₄	w	l ₂	l ₃	h ₁	h ₂	h ₃	l	Resonance point Hz	Resonance magnification dB	Recommended frequency Hz	Optimum working load Kgf
P2108.02-60	30	24	M6	11	36	60	46	22	2	1	18	15~10	12~13	22~	1,25-3,25
P2108.05-60	30	24	M6	11	36	60	46	22	2	1	18	13~9	15~16	19~	3,25-7,5
P2108.14-60	30	24	M6	11	36	60	46	22	2	1	18	12~9	19~21	17~	7,5-12,5

Anti-vibration Mounts

silicone gel

Mounts



P2109

Material

Silicone gel on silver zinc plated steel.
Stainless steel (A2) on request.

Technical Notes

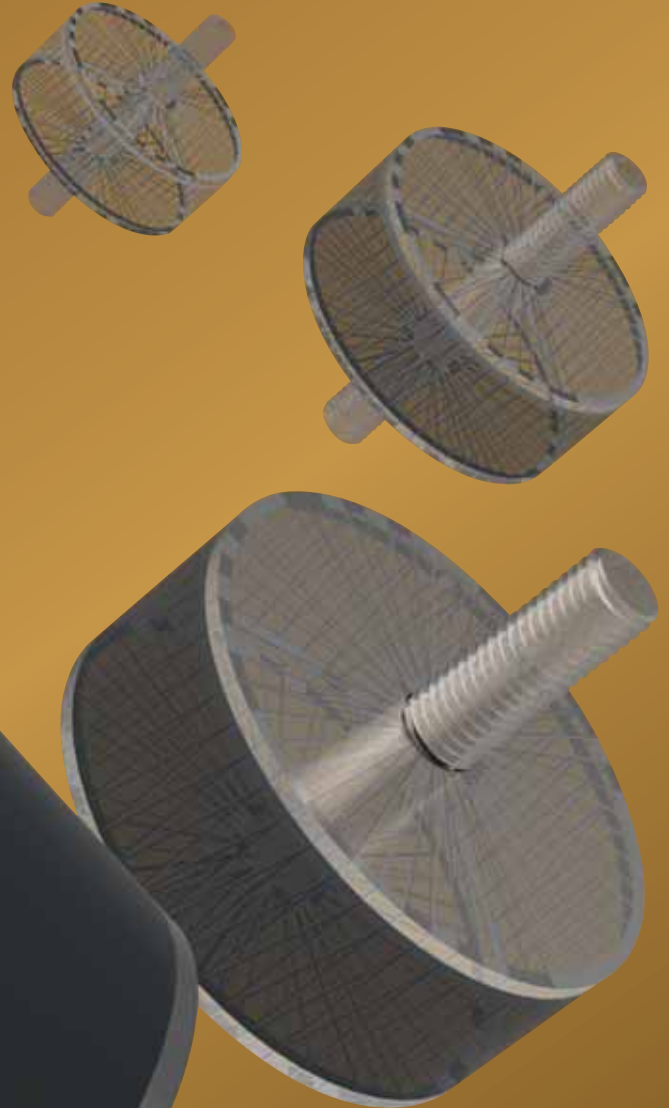
For applications where a base plate is required and there is a need for damping heavy-load vibration.

Order No.	d ₁	d ₂	d ₃	d ₄	w	l ₁	l ₂	l ₃	h ₁	h ₂	Resonance point Hz	Resonance magnification dB	Recommended frequency Hz	Optimum working load Kgf
P2109.30-35	45	76	M10	11	85	30	132	28	34	3	8~9	18~19	13~	25-35
P2109.50-75	45	76	M10	11	85	30	132	28	34	3	10~15	12~18	15~	30-75

From CAD model to reality – we can make specials!

Depending on your requirements, you may find that you need a part that we do not sell. Do not let that put you off! We can get your special parts made up, so there is no need to compromise on your design.

- **Small quantities**
- **A range of shore hardness**
- **Different types and lengths of thread**
- **Short lead times**



CALL 0845 850 99 40 TO ORDER TODAY

ANTI-VIBRATION[®]
COMPONENTS