

SPRINGFIX® LINKAGES

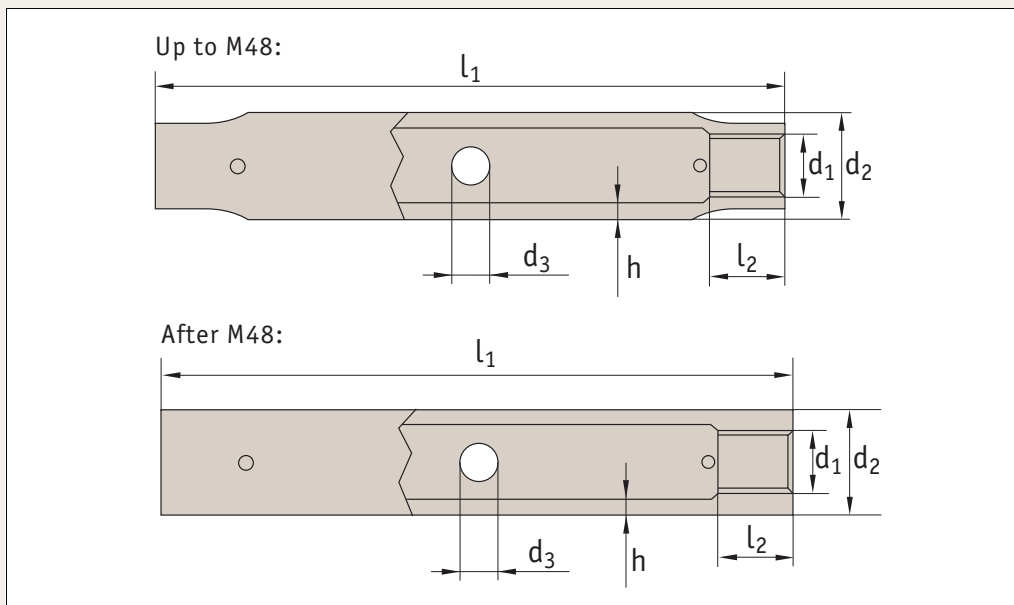
...our linkages, your solution

Turnbuckles





R3800



Material

Steel (1.0037 up to M48 then 1.0052).
Zinc plated (hot dip galvanized).

Technical Notes

To DIN 1478.

Tips

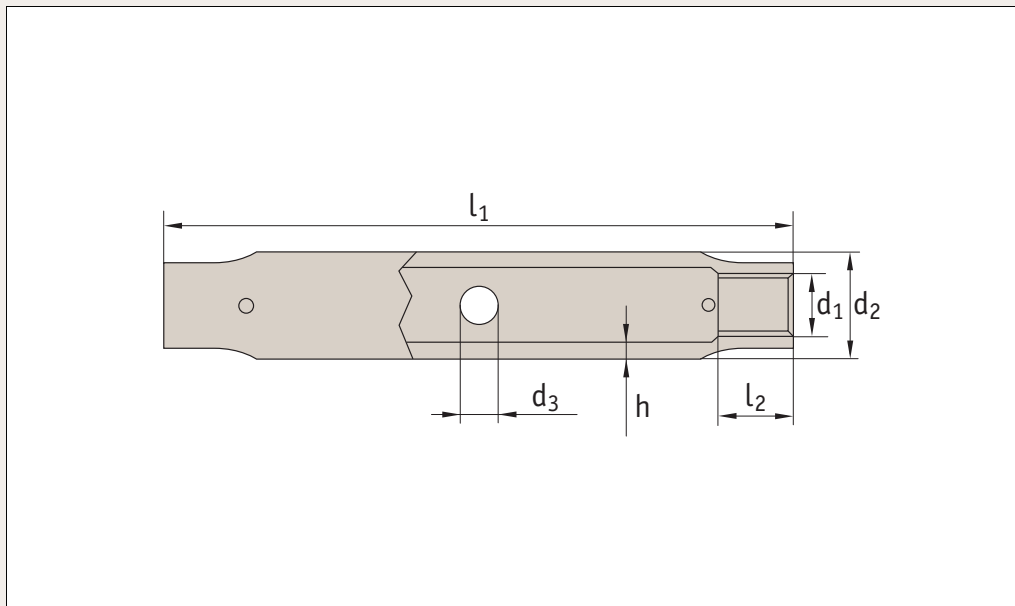
Turnbuckles consist of a metal frame with right hand thread one end and left hand thread the other end. Used for tensioning by rotating turnbuckle body without twisting attached rope or cable.

Order No.	d ₁	l ₁	l ₂	d ₂	d _{3 min}	d _{3 max}	h	Adjustment	⚖ Kg
R3800.006	M 6	110	7,5	17,2	5,7	6,3	2,9	90	0,13
R3800.008	M 8	110	10	17,2	7,5	8,5	3,6	85	0,13
R3800.010	M10	125	12	21,3	7,5	8,5	4	95	0,18
R3800.012	M12	125	15	25	9,5	10,5	4	90	0,25
R3800.016	M16	170	20	30	9,5	10,5	4,5	120	0,45
R3800.020	M20	200	24	33,7	11,5	12,5	5	140	0,56
R3800.024	M24	255	29	42,4	11,5	12,5	5,6	180	1,08
R3800.030	M30	255	36	51	15,5	16,5	6,3	160	1,61
R3800.036	M36	295	43	63,5	15,5	16,5	8	180	2,35
R3800.042	M42	330	51	70	19,5	20,5	8,8	200	4,30
R3800.048	M48	355	58	82,5	19,5	20,5	10	210	5,50
R3800.056	M56	355	68	90	24,5	25,5	15	190	9,60
R3800.064	M64	425	77	100	24,5	25,5	16	240	14,00
R3800.072	M72x6	425	87	110	29,5	30,5	17	210	17,00
R3800.080	M80x6	440	96	120	29,5	30,5	18	210	21,00

Pipe Body Turnbuckles

stainless steel

Turnbuckles



R3802

Material
Stainless steel (A4).

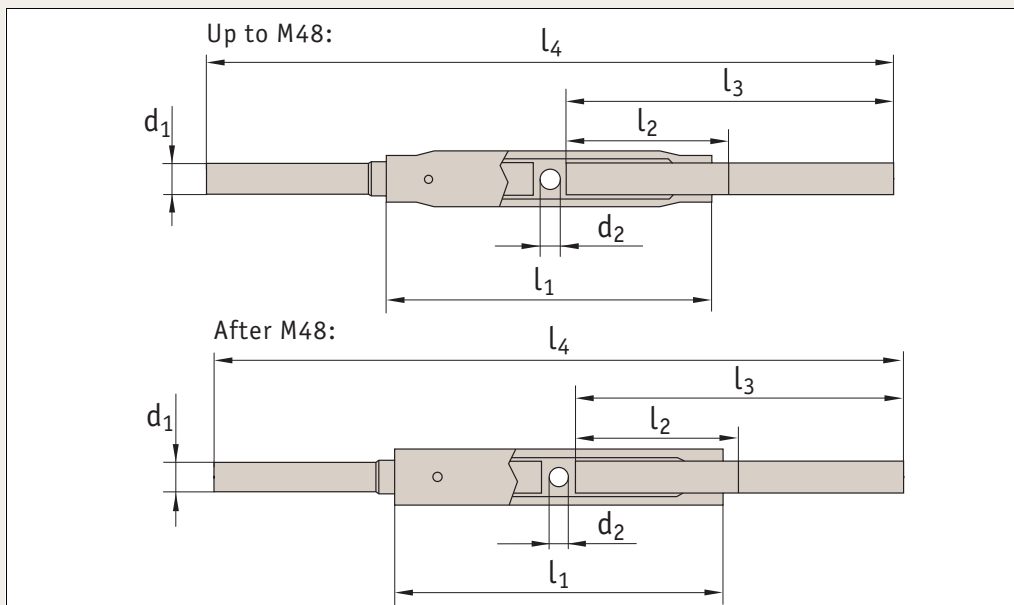
Technical Notes
To DIN 1478.

Tips
Turnbuckles consist of a metal frame with right hand thread one end and left hand thread the other end. Used for tensioning by rotating turnbuckle body without twisting attached rope or cable.

Order No.	d ₁	l ₁	l ₂	d ₂	d _{3 min}	d _{3 max}	h	Adjustment	△± Kg
R3802.006	M 6	110	7,5	17,2	5,7	6,3	2,9	90	0,13
R3802.008	M 8	110	10	17,2	7,5	8,5	3,6	85	0,13
R3802.010	M10	125	12	21,3	7,5	8,5	4	95	0,18
R3802.012	M12	125	15	25	9,5	10,5	4	90	0,25
R3802.016	M16	170	20	30	9,5	10,5	4,5	120	0,45
R3802.020	M20	200	24	33,7	11,5	12,5	5	140	0,56
R3802.024	M24	255	29	42,4	11,5	12,5	5,6	180	1,08
R3802.030	M30	255	36	51	15,5	16,5	6,3	160	1,61
R3802.036	M36	295	43	63,5	15,5	16,5	8	180	2,35



R3804



Material

Steel (1.0037 up to M48 then 1.0052).
Zinc plated (hot dip galvanized).

Technical Notes

To DIN 1478.

Tips

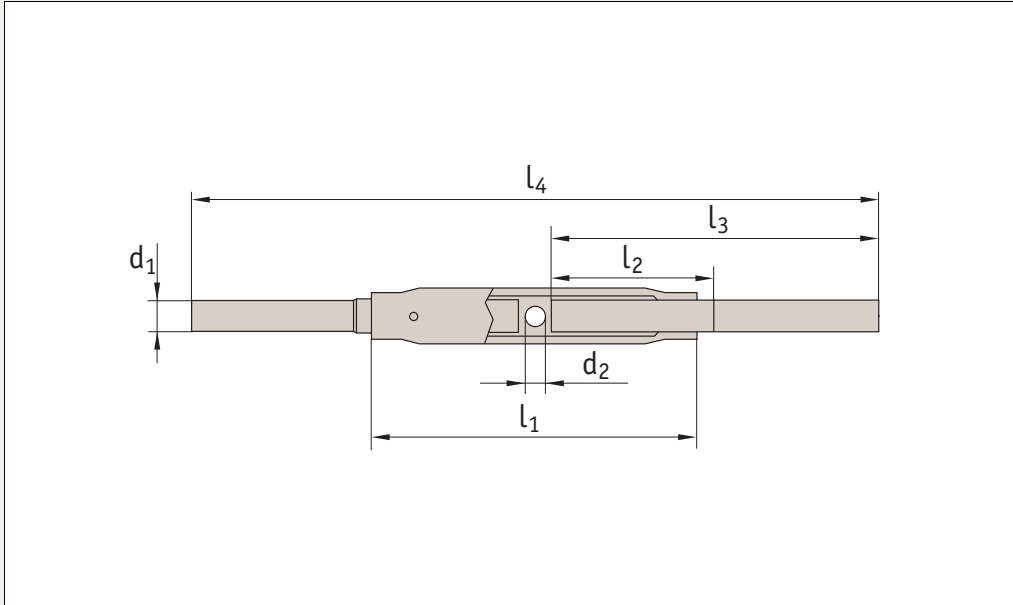
Turnbuckles consist of a metal frame with right hand thread one end and left hand thread the other end. Used for tensioning by rotating turnbuckle body without twisting attached rope or cable.

Order No.	d_1	l_1	d_2	l_2	l_3	l_4 min	l_4 max	\triangle Kg
R3804.006	M 6	110	6	60	120	246	336	0,17
R3804.008	M 8	110	8	65	120	248	333	0,20
R3804.010	M10	125	8	75	150	309	404	0,32
R3804.012	M12	125	10	75	150	311	401	0,45
R3804.016	M16	170	10	100	200	410	530	0,97
R3804.020	M20	200	12	120	220	452	592	1,48
R3804.024	M24	255	12	150	260	533	713	2,62
R3804.030	M30	255	16	160	260	537	697	4,01
R3804.036	M36	295	16	180	300	617	797	6,35
R3804.042	M42	330	20	200	350	720	920	10,50
R3804.048	M48	355	20	220	380	781	991	14,30
R3804.056	M56	355	25	230	380	785	975	21,60
R3804.064	M64	425	25	300	425	875	1015	32,40
R3804.072	M72	425	30	270	400	831	1041	42,00
R3804.080	M80	440	30	270	400	830	1040	51,00

Stud End Pipe Body Turnbuckles

stainless steel

Turnbuckles



R3806

Material
Stainless steel (A4).

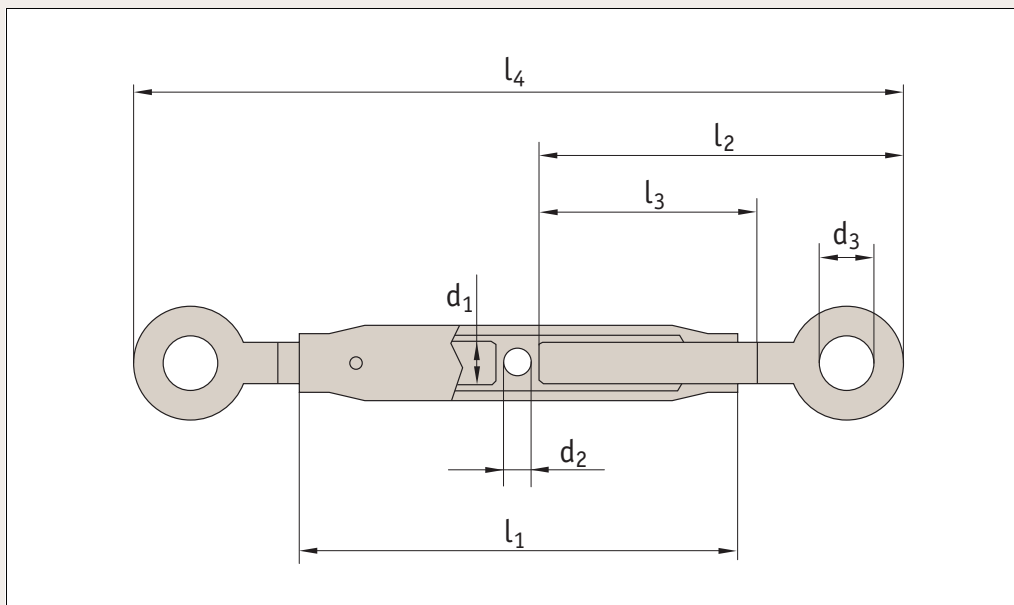
Technical Notes
To DIN 1478.

Tips
Turnbuckles consist of a metal frame with right hand thread one end and left hand thread the other end. Used for tensioning by rotating turnbuckle body without twisting attached rope or cable.

Order No.	d ₁	l ₁	d ₂	l ₂	l ₃	l ₄ min	l ₄ max	Δ±Δ Kg
R3806.006	M 6	110	6	60	120	246	336	0,17
R3806.008	M 8	110	8	65	120	248	333	0,20
R3806.010	M10	125	8	75	150	309	404	0,32
R3806.012	M12	125	10	75	150	311	401	0,45
R3806.016	M16	170	10	100	200	410	530	0,97
R3806.020	M20	200	12	120	220	452	592	1,48
R3806.024	M24	255	12	150	260	533	713	2,62
R3806.030	M30	255	16	160	260	537	697	4,01
R3806.036	M36	295	16	180	300	617	797	6,35



R3808



Material
Steel (1.0037).
Zinc plated (hot dip galvanized).

Technical Notes
To DIN 1478.

Tips

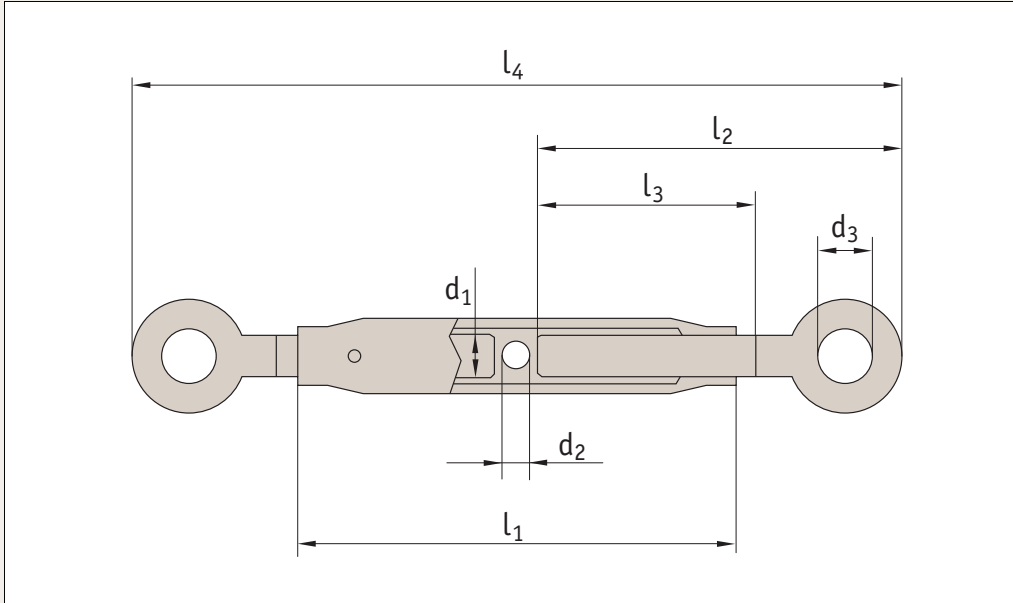
Turnbuckles consist of a metal frame with right hand thread one end and left hand thread the other end. Used for tensioning by rotating turnbuckle body without twisting attached rope or cable.

Order No.	d ₁	l ₁	d ₂	d ₃	l ₂	l ₃	l ₄ min	l ₄ max	⚖ Kg
R3808.006	M 6	110	6	10	74	50	154	244	0,16
R3808.008	M 8	110	8	11	80	52	168	253	0,18
R3808.010	M10	125	8	15	95	59	199	294	0,28
R3808.012	M12	125	10	17	107	66	225	315	0,42
R3808.016	M16	170	10	22	146	85	302	422	0,91
R3808.020	M20	200	12	24	170	100	352	492	1,36
R3808.024	M24	255	12	33	213	134	437	619	2,60
R3808.030	M30	255	16	39	255	150	527	687	3,75
R3808.036	M36	295	16	37	260	150	537	717	6,35
R3808.042	M42	330	20	48	285	165	590	790	10,50
R3808.048	M48	355	20	58	335	185	691	901	15,50

Eye End Pipe Body Turnbuckles

stainless steel

Turnbuckles



R3810

Material
Stainless steel (A4).

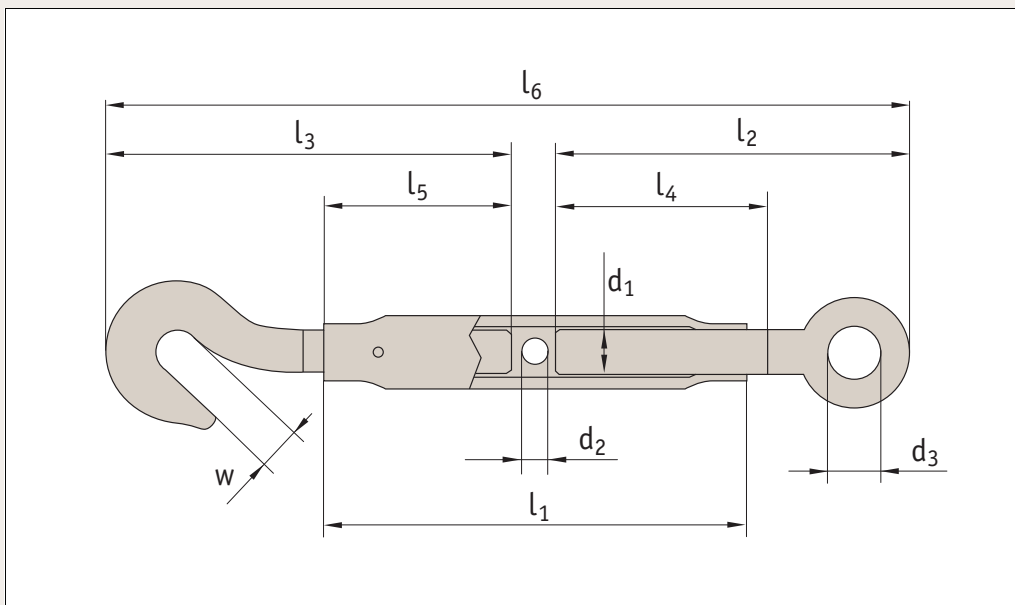
Technical Notes
To DIN 1478.

Tips
Turnbuckles consist of a metal frame with right hand thread one end and left hand thread the other end. Used for tensioning by rotating turnbuckle body without twisting attached rope or cable.

Order No.	d_1	l_1	d_2	d_3	l_2	l_3	l_4 min	l_4 max	Δ Kg
R3810.006	M 6	110	6	10	74	50	154	244	0,16
R3810.008	M 8	110	8	11	80	52	168	253	0,18
R3810.010	M10	125	8	15	95	59	199	294	0,28
R3810.012	M12	125	10	17	107	66	225	315	0,42
R3810.016	M16	170	10	22	146	85	302	422	0,91
R3810.020	M20	200	12	24	170	100	352	492	1,36



R3812



Material
Steel (1.0037).
Zinc plated (hot dip galvanized).

Technical Notes
To DIN 1478.

Tips

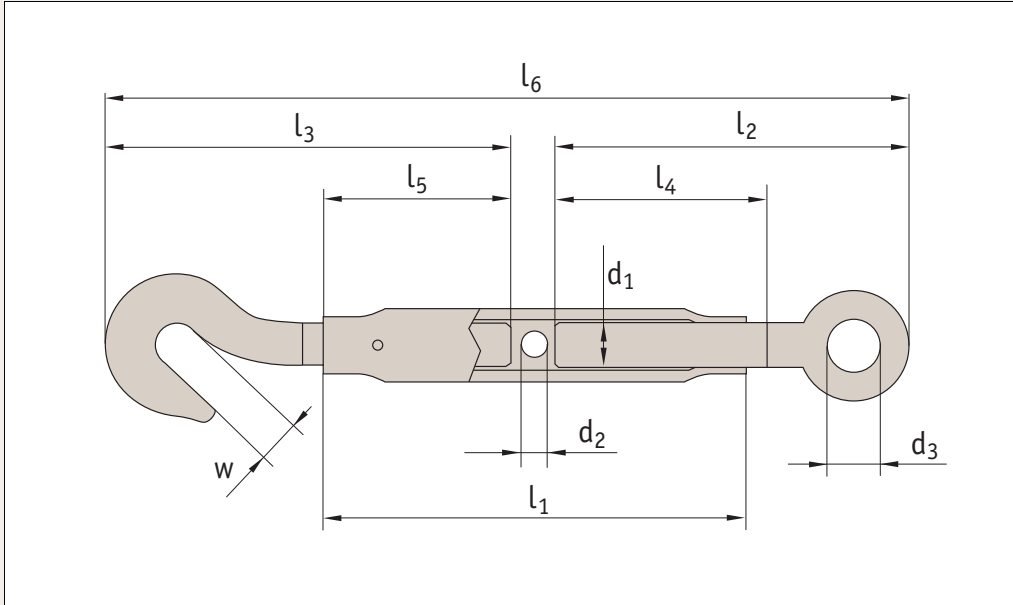
Turnbuckles consist of a metal frame with right hand thread one end and left hand thread the other end. Used for tensioning by rotating turnbuckle body without twisting attached rope or cable.

Order No.	d ₁	l ₁	d ₂	d ₃	l ₂	l ₃	l ₄	l ₅	l ₆ min	l ₆ max	w	Kg
R3812.006	M 6	110	6	10	74	77	50	50	157	247	9,5	0,16
R3812.008	M 8	110	8	11	80	98	52	60	186	271	11	0,19
R3812.010	M10	125	8	15	95	116,5	59	73	220	315	14	0,29
R3812.012	M12	125	10	17	107	146	66	90	264	354	18	0,45
R3812.016	M16	170	10	22	146	165	85	100	321	441	19	0,96
R3812.020	M20	200	12	24	170	180	100	105	362	502	21	1,38
R3812.024	M24	255	12	33	213	225	134	135	450	630	29	2,73
R3812.030	M30	255	16	39	255	255	150	140	527	687	31	3,92
R3812.036	M36	295	16	37	260	300	150	170	577	757	35	6,60

Hook & Eye Pipe Body Turnbuckles

stainless steel

Turnbuckles



R3814

Material

Stainless steel (A4).

Technical Notes

To DIN 1478.

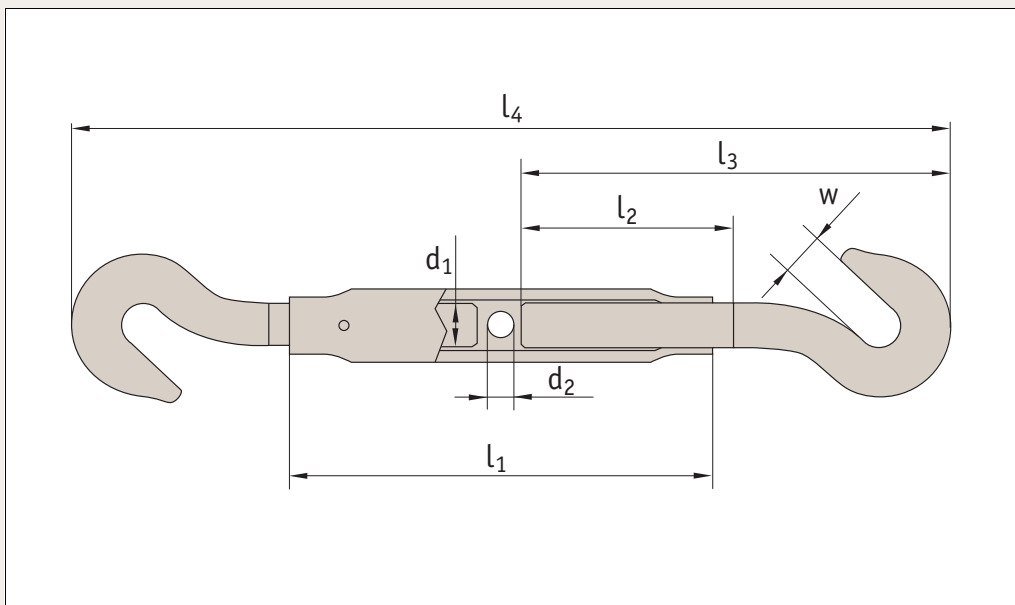
Tips

Turnbuckles consist of a metal frame with right hand thread one end and left hand thread the other end. Used for tensioning by rotating turnbuckle body without twisting attached rope or cable.

Order No.	d ₁	l ₁	d ₂	d ₃	l ₂	l ₃	l ₄	l ₅	l ₆ min	l ₆ max	w	△ ⁺ △ ₋ Kg
R3814.006	M 6	110	6	10	74	77	50	50	157	247	9,5	0,16
R3814.008	M 8	110	8	11	80	98	52	60	186	271	11	0,19
R3814.010	M10	125	8	15	95	116,5	59	73	220	315	14	0,29
R3814.012	M12	125	10	17	107	146	66	90	264	354	18	0,45
R3814.016	M16	170	10	22	146	165	85	100	321	441	19	0,96



R3816



Material
Steel (1.0037).
Zinc plated (hot dip galvanized).

Technical Notes
To DIN 1478.

Tips

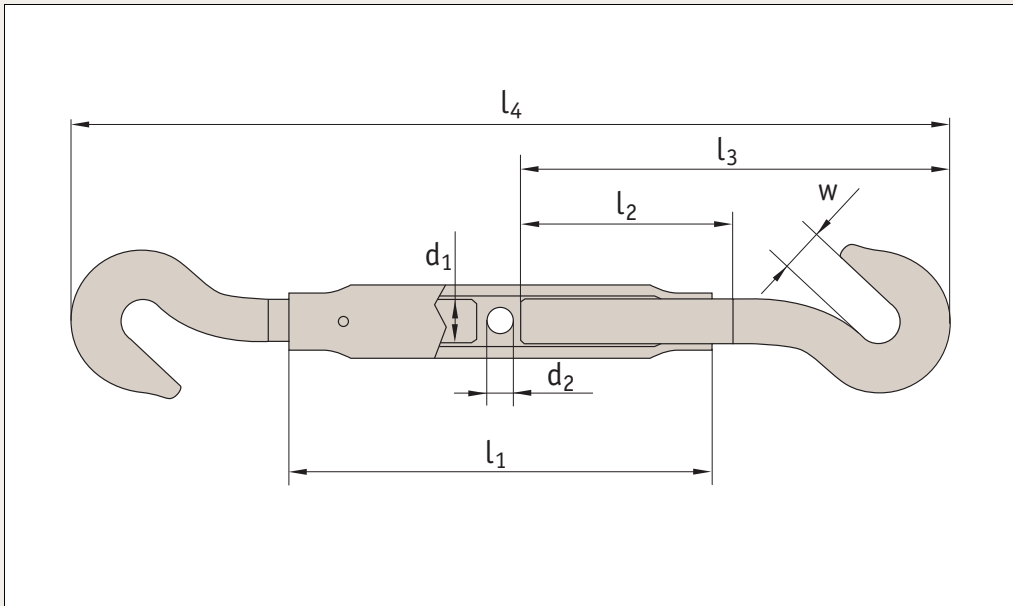
Turnbuckles consist of a metal frame with right hand thread one end and left hand thread the other end. Used for tensioning by rotating turnbuckle body without twisting attached rope or cable.

Order No.	d ₁	l ₁	d ₂	l ₂	l ₃	l ₄ min	l ₄ max	w	⚖ Kg
R3816.006	M 6	110	6	50	77	160	250	9,5	0,16
R3816.008	M 8	110	8	60	98	204	289	11	0,20
R3816.010	M10	125	8	73	116,5	241	336	14	0,30
R3816.012	M12	125	10	90	146	303	393	18	0,47
R3816.016	M16	170	10	100	165	340	460	19	1,01
R3816.020	M20	200	12	105	180	372	512	21	1,40
R3816.024	M24	255	12	135	225	463	543	29	2,86
R3816.030	M30	255	16	140	225	527	687	31	4,09
R3816.036	M36	295	16	170	300	617	697	35	6,85

Hook End Pipe Body Turnbuckles

stainless steel

Turnbuckles



R3818

Material
Stainless steel (A4)

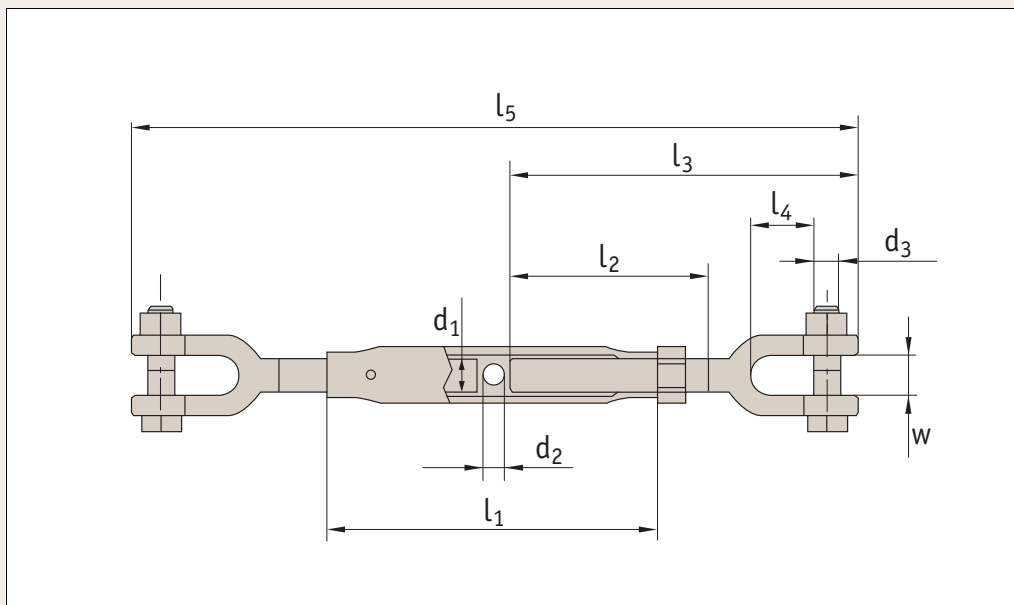
Technical Notes
To DIN 1478.

Tips
Turnbuckles consist of a metal frame with right hand thread one end and left hand thread the other end. Used for tensioning by rotating turnbuckle body without twisting attached rope or cable.

Order No.	d_1	l_1	d_2	l_2	l_3	l_4 min	l_4 max	w	Δ Kg
R3818.006	M 6	110	6	50	77	160	250	9,5	0,16
R3818.008	M 8	110	8	60	98	204	289	11	0,20
R3818.010	M10	125	8	73	116,5	241	336	14	0,30
R3818.012	M12	125	10	90	146	303	393	18	0,47
R3818.016	M16	170	10	100	165	340	460	19	1,01



R3820



Material

Steel body (1.0037), jaws (1.0503).
Zinc plated (hot dip galvanized).

Technical Notes

To DIN 1478.

Tips

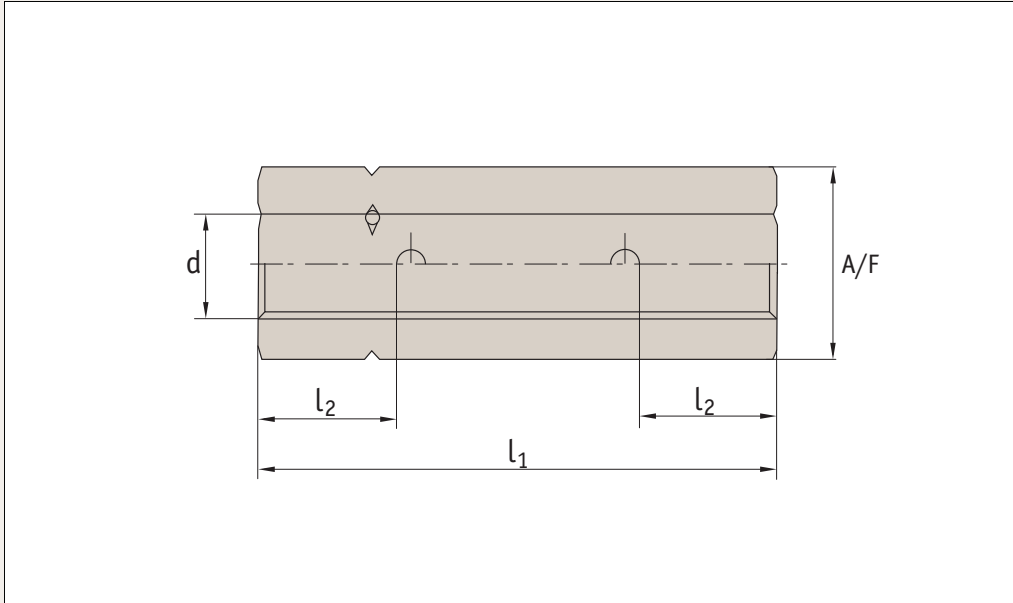
Turnbuckles consist of a metal frame with right hand thread one end and left hand thread the other end. Used for tensioning by rotating turnbuckle body without twisting attached rope or cable.

Order No.	d ₁	l ₁	d ₂	d ₃	l ₂	l ₃	l ₄	l ₅ min	l ₅ max	w	⚖ Kg
R3820.008	M 8	110	8,5	8,5	68	125	28,75	258	343	9	0,30
R3820.010	M10	125	8,5	8,5	82	139	29,25	287	382	10,7	0,43
R3820.012	M12	125	10,5	10,5	90	160	44,75	331	421	15,5	0,69
R3820.016	M16	170	10,5	12,5	102	186	45,25	382	502	20	1,31
R3820.020	M20	200	12,5	17	115	205	59,5	422	562	23,5	2,02
R3820.024	M24	255	12,5	20,5	125	240	62,75	493	673	26	3,9
R3820.030	M30	255	16,5	25	150	290	89,5	613	773	34	7,01

Hexagonal Body Turnbuckles

steel

Turnbuckles



R3825

Material

Steel C15 (zinc plated) hot dip galvanized.

Technical Notes

To DIN 1479.

Tips

Turnbuckles consist of a metal frame with right hand thread one end and left hand thread the other end. Used for tensioning by rotating turnbuckle body without twisting attached rope or cable.

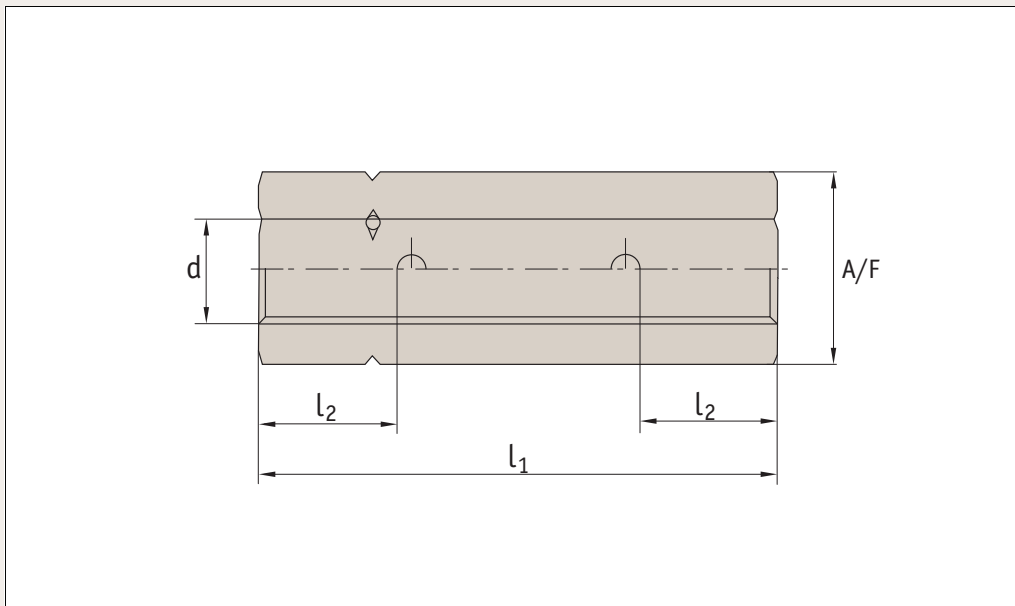
Order No.	d	l ₁	l ₂	A/F	Adjustment	⚖️ Kg
R3825.006	M 6	30	22,5	10	15	0,02
R3825.008	M 8	35	25,0	13	15	0,03
R3825.010	M10	45	33,0	16	21	0,06
R3825.012	M12	55	40,0	18	25	0,9
R3825.016	M16	75	55,0	24	35	0,18
R3825.020	M20	95	24,0	30	47	0,32
R3825.024	M24	115	29,0	36	57	0,53
R3825.030	M30	125	36,0	46	53	1,08

Hexagonal Body Turnbuckles

stainless steel



R3826



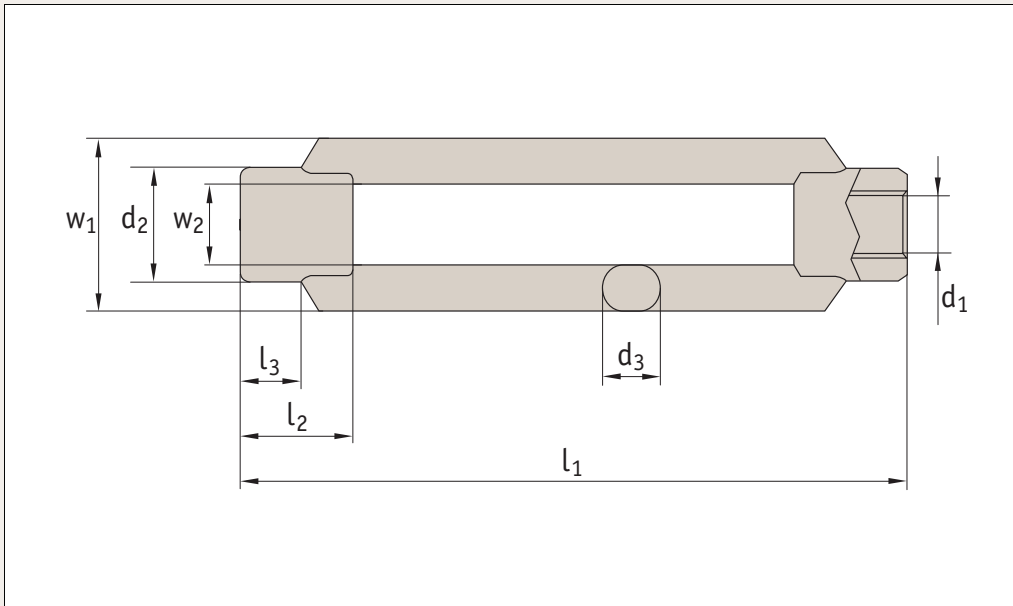
Material
Stainless steel (A2).

Technical Notes
To DIN 1479.

Tips

Turnbuckles consist of a metal frame with right hand thread one end and left hand thread the other end. Used for tensioning by rotating turnbuckle body without twisting attached rope or cable.

Order No.	d	l ₁	l ₂	A/F	Adjustment	⚖ Kg
R3826.006	M 6	30	22,5	10	15	0,02
R3826.008	M 8	35	25,0	13	15	0,03
R3826.010	M10	45	33,0	16	21	0,06
R3826.012	M12	55	40,0	18	25	0,09
R3826.016	M16	75	55,0	24	35	0,18
R3826.020	M20	95	74,0	30	47	0,32
R3826.024	M24	115	99,0	36	57	0,53
R3826.030	M30	125	110,0	46	53	1,08



R3830

Material

Steel (1.0037).
Zinc plated (hot dip galvanized).

Technical Notes

To DIN 1480.

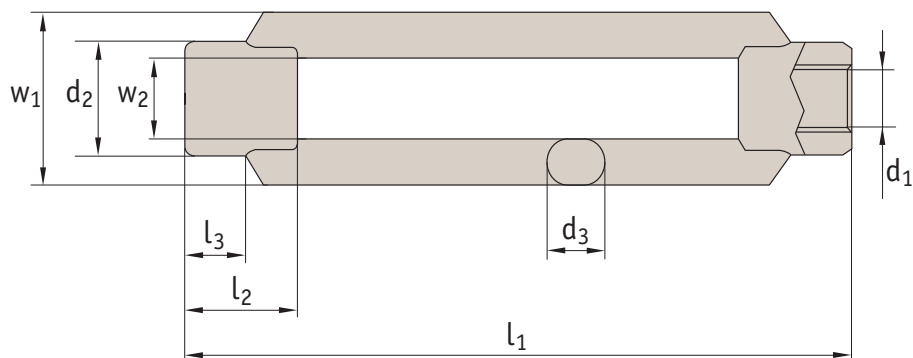
Tips

Turnbuckles consist of a metal frame with right hand thread one end and left hand thread the other end. Used for tensioning by rotating turnbuckle body without twisting attached rope or cable.

Order No.	d ₁	l ₁	l ₂	l ₃	d ₂	d ₃	w ₁	w ₂	Adjustment	△±△ Kg
R3830.006	M 6	110	12	6	12	6	19	9	80	0,06
R3830.008	M 8	110	15	8	15	8	23	11	75	0,09
R3830.010	M10	125	18	9	18	9	30	14	85	0,15
R3830.012	M12	125	21	11	21	11	34	16	80	0,20
R3830.016	M16	170	27	14	27	14	42	20	110	0,44
R3830.020	M20	200	34	17	34	17	52	24	130	0,44
R3830.024	M24	255	39	20	39	20	60	28	170	1,20
R3830.030	M30	255	45	23	45	23	74	34	160	1,80
R3830.036	M36	295	55	28	55	28	86	40	180	3,20
R3830.042	M42	330	63	32	63	32	104	50	200	4,50
R3830.048	M48	355	78	39	80	40	135	65	195	9,10
R3830.056	M56	355	78	39	80	40	135	65	195	8,00



R3832



Material
Stainless steel (A4).

Technical Notes
To DIN 1480.

Tips

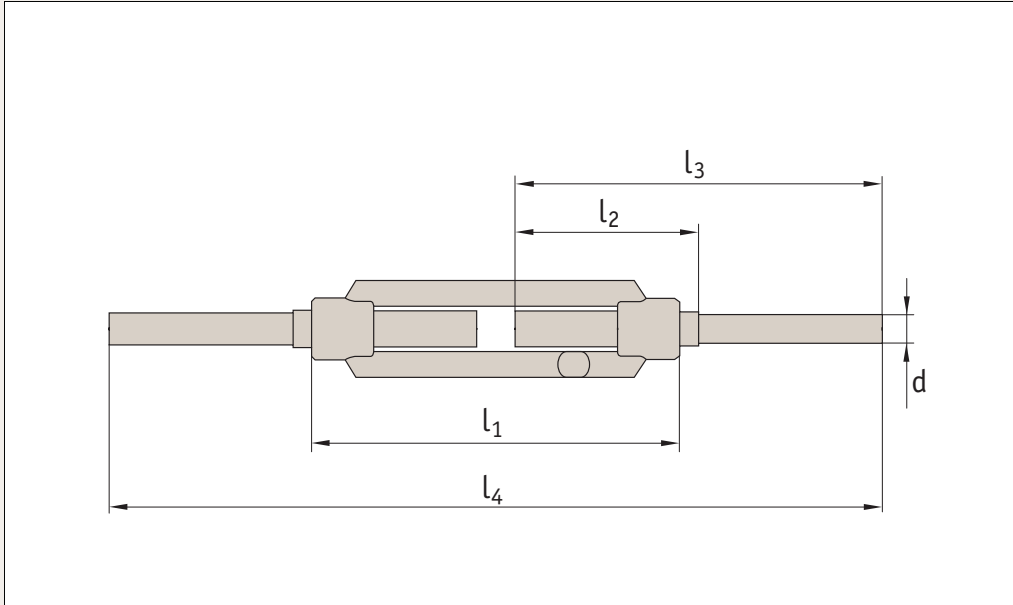
Turnbuckles consist of a metal frame with right hand thread one end and left hand thread the other end. Used for tensioning by rotating turnbuckle body without twisting attached rope or cable.

Order No.	d ₁	l ₁	l ₂	l ₃	d ₂	d ₃	w ₁	w ₂	Adjustment	△ ⁺ _△ Kg
R3832.006	M 6	110	12	6	12	6	19	9	80	0,06
R3832.008	M 8	110	15	8	15	8	23	11	75	0,09
R3832.010	M10	125	18	9	18	9	30	14	85	0,15
R3832.012	M12	125	21	11	21	11	34	16	80	0,20
R3832.016	M16	170	27	14	27	14	42	20	110	0,44
R3832.020	M20	200	34	17	34	17	52	24	130	0,44
R3832.024	M24	255	39	20	39	20	60	28	170	1,20

Stub End Turnbuckles

steel

Turnbuckles



R3834

Material

Steel (1.0037).
Zinc plated (hot dip galvanized).

Technical Notes

To DIN 1480 stub end.

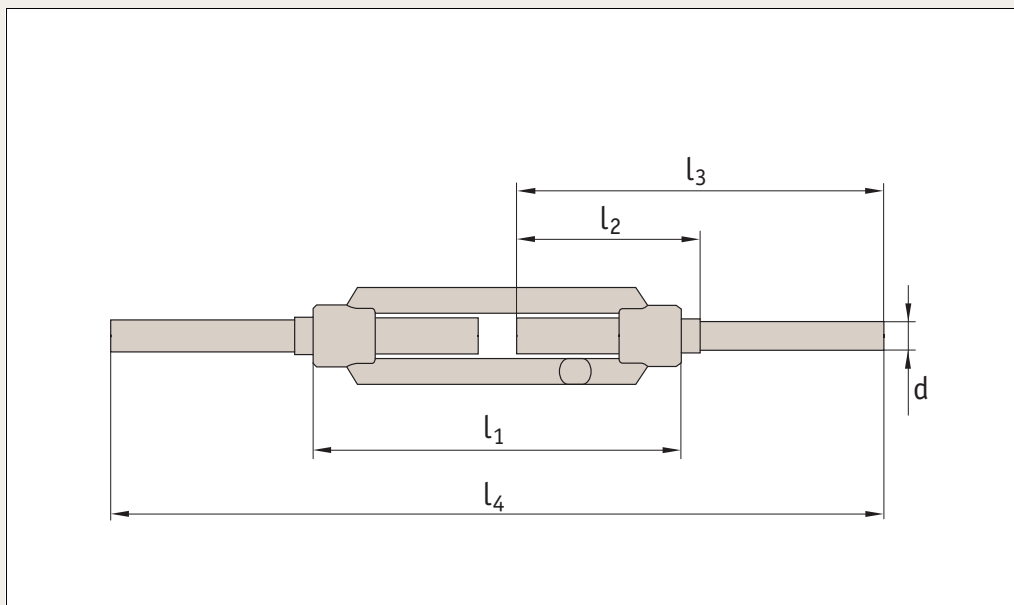
Tips

Turnbuckles consist of a metal frame with right hand thread one end and left hand thread the other end. Used for tensioning by rotating turnbuckle body without twisting attached rope or cable.

Order No.	d	l_1	l_2	l_3	l_4 min	l_4 max	⚖ Kg
R3834.006	M 6	110	60	120	240	320	0,10
R3834.008	M 8	110	65	120	240	315	0,16
R3834.010	M10	125	75	150	301	386	0,30
R3834.012	M12	125	75	150	301	381	0,40
R3834.016	M16	170	100	200	400	510	0,96
R3834.020	M20	200	120	220	440	570	1,74
R3834.024	M24	255	150	260	521	691	2,74
R3834.030	M30	255	160	260	521	681	4,20
R3834.036	M36	295	180	300	601	781	7,20
R3834.042	M42	330	200	350	700	900	10,70
R3834.048	M48	355	220	380	761	956	17,90
R3834.056	M56	355	230	380	761	956	20,00



R3836



Material
Stainless steel (A4).

Technical Notes
To DIN 1480 stub end.

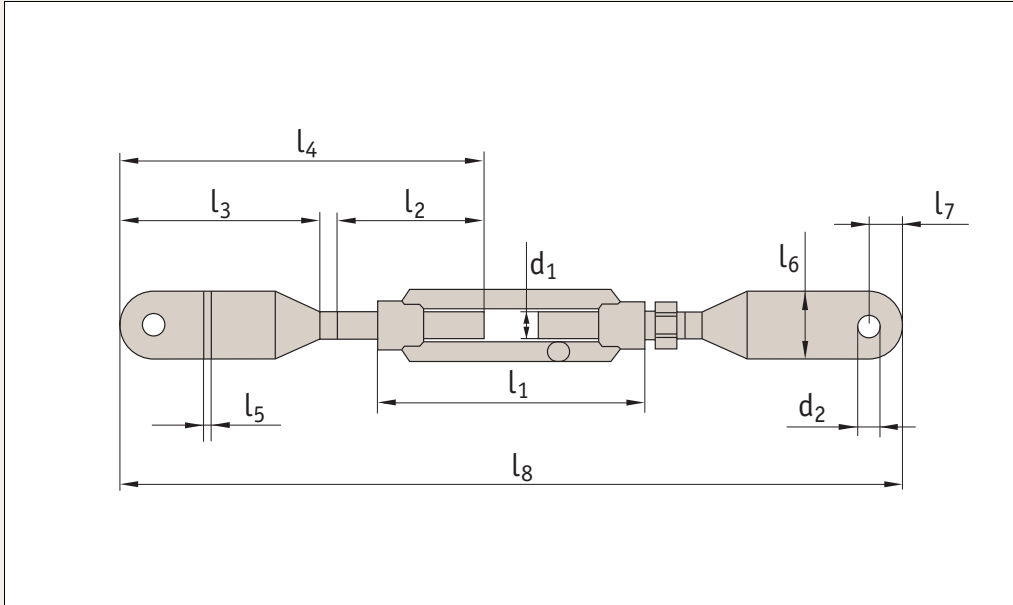
Tips
Turnbuckles consist of a metal frame with right hand thread one end and left hand thread the other end. Used for tensioning by rotating turnbuckle body without twisting attached rope or cable.

Order No.	d	l_1	l_2	l_3	l_4 min	l_4 max	⚖ Kg
R3836.006	M 6	110	60	120	240	320	0,10
R3836.008	M 8	110	65	120	240	315	0,16
R3836.010	M10	125	75	150	301	386	0,30
R3836.012	M12	125	75	150	301	381	0,40
R3836.016	M16	170	100	200	400	510	0,96
R3836.020	M20	200	120	220	440	570	1,74
R3836.024	M24	255	150	260	521	691	2,74

Plain End Turnbuckles

steel

Turnbuckles



R3838

Material

Steel (1.0037).
Zinc plated (hot dip galvanized).

Technical Notes

To DIN 1480 plain ends.

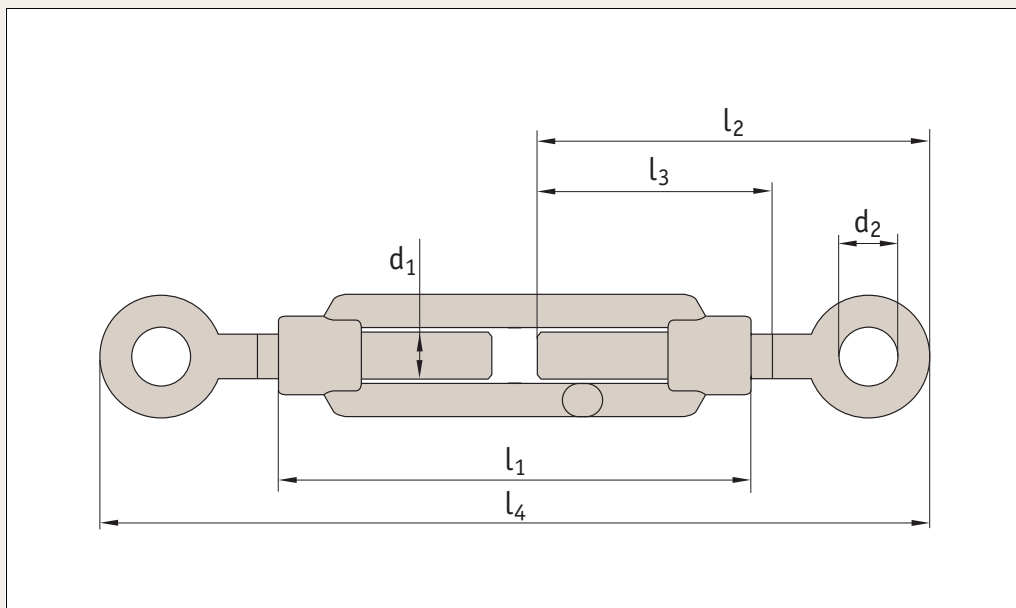
Tips

Turnbuckles consist of a metal frame with right hand thread one end and left hand thread the other end. Used for tensioning by rotating turnbuckle body without twisting attached rope or cable.

Order No.	d_1	l_1	l_2	l_3	l_4	l_5	l_6	l_7	l_8 min	l_8 max	d_2	Δ Kg
R3838.008	M 8	110	75	50	125	4	20	11	250	325	9	0,19
R3838.010	M10	110	90	60	150	4	25	13	300	385	10,5	0,30
R3838.012	M12	125	91	74	165	5	30	16	331	411	13	0,48
R3838.016	M16	125	105	135	240	8	40	20	481	591	14	1,14
R3838.020	M20	200	105	135	240	9	44	26	480	610	17	1,84
R3838.024	M24	255	160	145	305	10	70	43	611	781	22	3,1



R3840



Material

Steel (1.0037).
Zinc plated (hot dip galvanized).

Technical Notes

To DIN 1480 eye to eye.

Tips

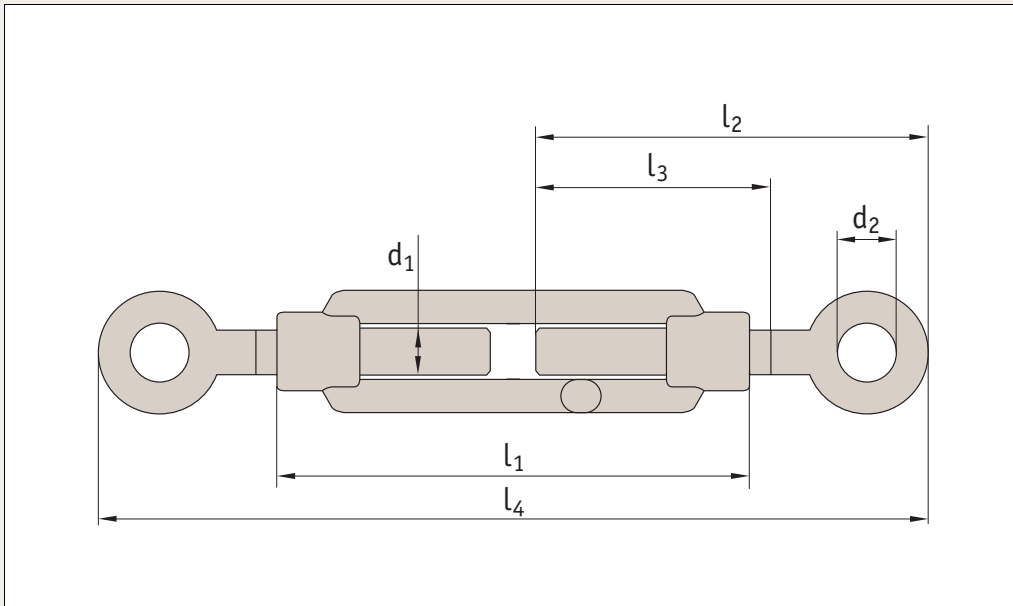
Turnbuckles consist of a metal frame with right hand thread one end and left hand thread the other end. Used for tensioning by rotating turnbuckle body without twisting attached rope or cable.

Order No.	d ₁	l ₁	l ₂	l ₃	l ₄ min	l ₄ max	d ₂	△ ⁺ △ ₋ Kg
R3840.006	M 6	110	74	50	148	228	10	0,09
R3840.008	M 8	110	80	52	160	235	11	0,14
R3840.010	M10	125	95	59	191	276	15	0,25
R3840.012	M12	125	107	66	215	295	17	0,37
R3840.016	M16	170	146	85	292	402	22	0,90
R3840.020	M20	200	170	100	340	470	24	1,62
R3840.024	M24	255	213	134	427	597	33	2,72
R3840.030	M30	255	255	150	511	671	39	3,94
R3840.036	M36	295	260	150	521	701	37	7,20
R3840.042	M42	330	285	165	570	770	48	10,70
R3840.048	M48	355	335	185	671	866	58	19,10

Eye End Turnbuckles

stainless steel

Turnbuckles



R3842

Material

Stainless steel (A4).

Technical Notes

To DIN 1480 eye to eye.

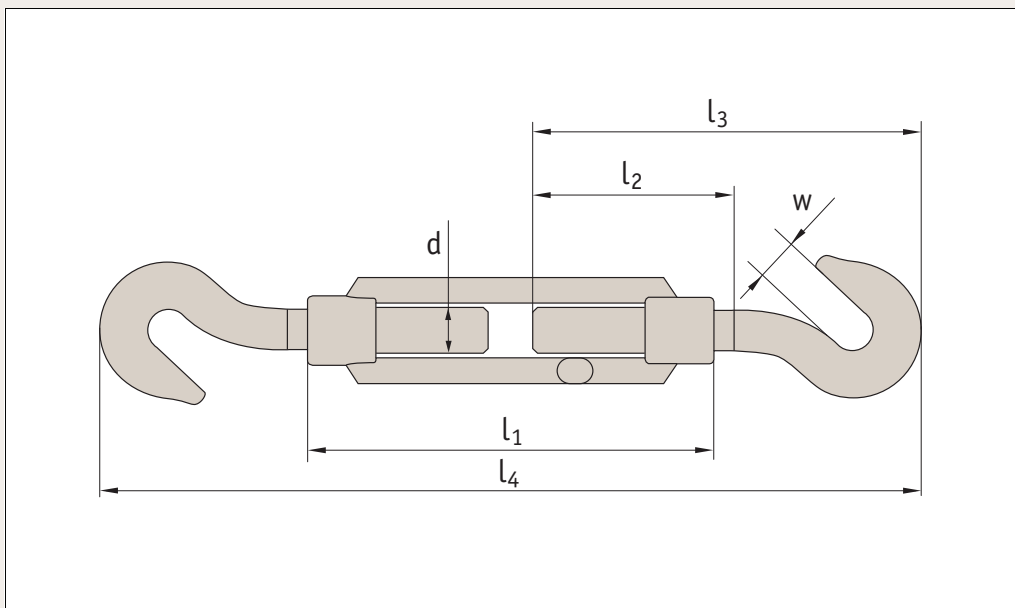
Tips

Turnbuckles consist of a metal frame with right hand thread one end and left hand thread the other end. Used for tensioning by rotating turnbuckle body without twisting attached rope or cable.

Order No.	d ₁	l ₁	l ₂	l ₃	l ₄ min	l ₄ max	d ₂	Δ±Δ Kg
R3842.006	M 6	110	74	50	148	228	10	0,09
R3842.008	M 8	110	80	52	160	235	11	0,14
R3842.010	M10	125	95	59	191	276	15	0,25
R3842.012	M12	125	107	66	215	295	17	0,37
R3842.016	M16	170	146	85	292	402	22	0,90
R3842.020	M20	200	170	100	340	470	24	1,62



R3844



Material

Steel (1.0037).
Zinc plated (hot dip galvanized).

Technical Notes

To DIN 1480 hook to hook.

Tips

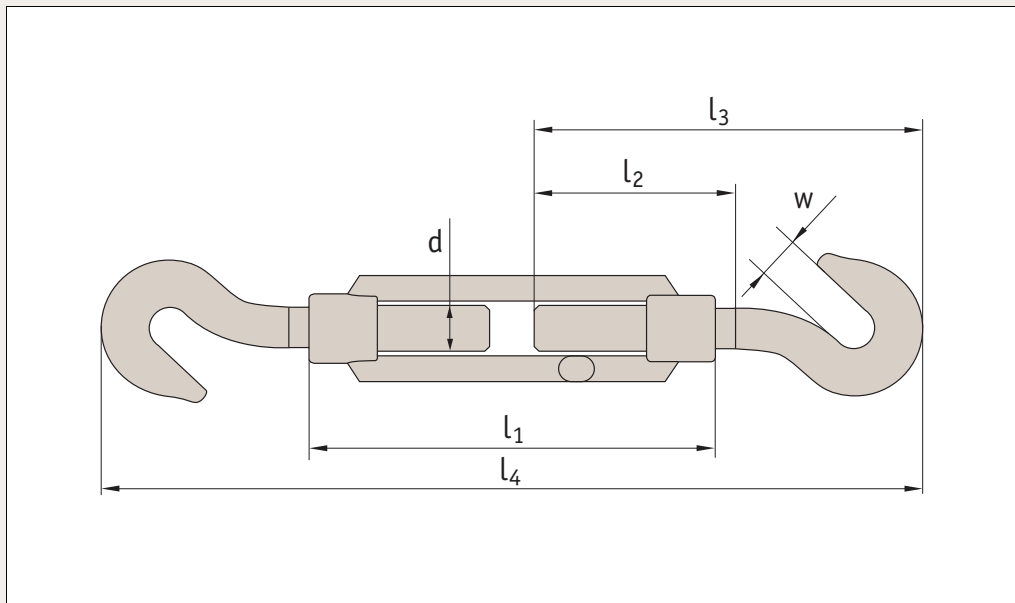
Turnbuckles consist of a metal frame with right hand thread one end and left hand thread the other end. Used for tensioning by rotating turnbuckle body without twisting attached rope or cable.

Order No.	d	l_1	l_2	l_3	l_4 min	l_4 max	w	⚖ Kg
R3844.006	M 6	110	50	77	154	234	8	0,09
R3844.008	M 8	110	60	98	196	271	10	0,16
R3844.010	M10	125	73	116,5	233	318	12,5	0,27
R3844.012	M12	125	90	146	293	373	16	0,42
R3844.016	M16	170	100	165	330	440	16	1,00
R3844.020	M20	200	105	180	360	490	18	1,66
R3844.024	M24	255	135	225	451	621	30	2,98
R3844.030	M30	255	140	255	451	611	30	4,28
R3844.036	M36	295	170	300	601	781	32	7,70

Hook End Turnbuckles

stainless steel

Turnbuckles



R3846

Material

Stainless steel (A4).

Technical Notes

To DIN 1480 hook to hook.

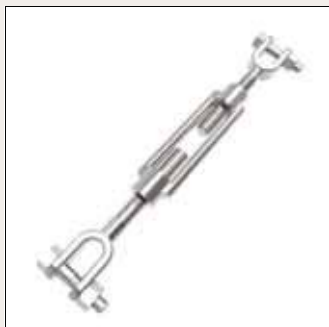
Tips

Turnbuckles consist of a metal frame with right hand thread one end and left hand thread the other end. Used for tensioning by rotating turnbuckle body without twisting attached rope or cable.

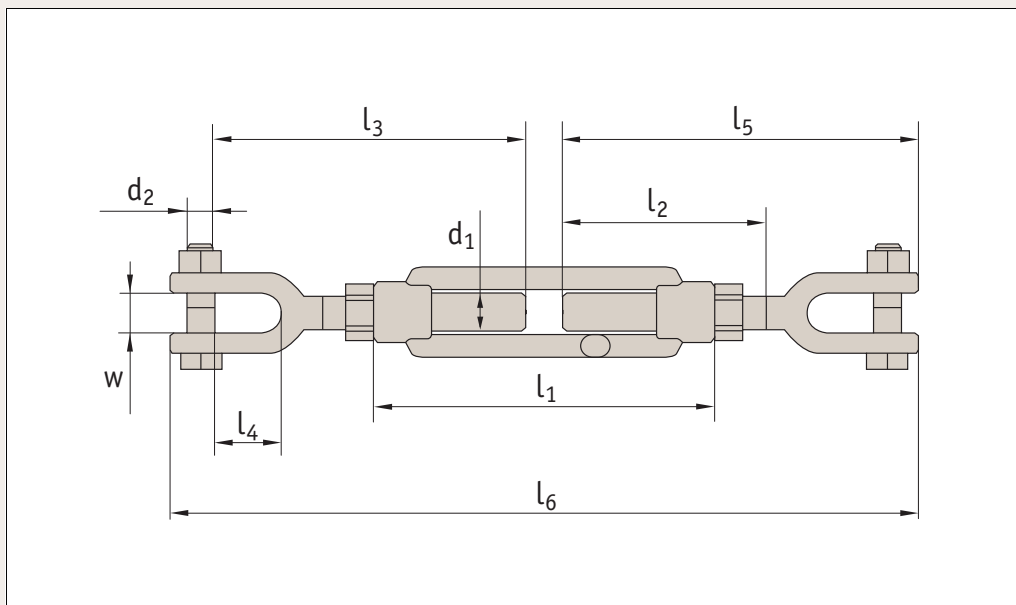
Order No.	d	l ₁	l ₂	l ₃	l ₄ min	l ₄ max	w	△±△ Kg
R3846.006	M 6	110	50	77	154	234	8	0,09
R3846.008	M 8	110	60	98	196	271	10	0,16
R3846.010	M10	125	73	116,5	233	318	12,5	0,27
R3846.012	M12	125	90	146	293	373	16	0,42
R3846.016	M16	170	100	165	330	440	16	1,00

Jaw End Turnbuckle

steel



R3848



Material

Steel body (1.0037), jaws (1.0503).
Zinc plated (hot dip galvanized).

Technical Notes

To DIN 1480 jaw to jaw.

Tips

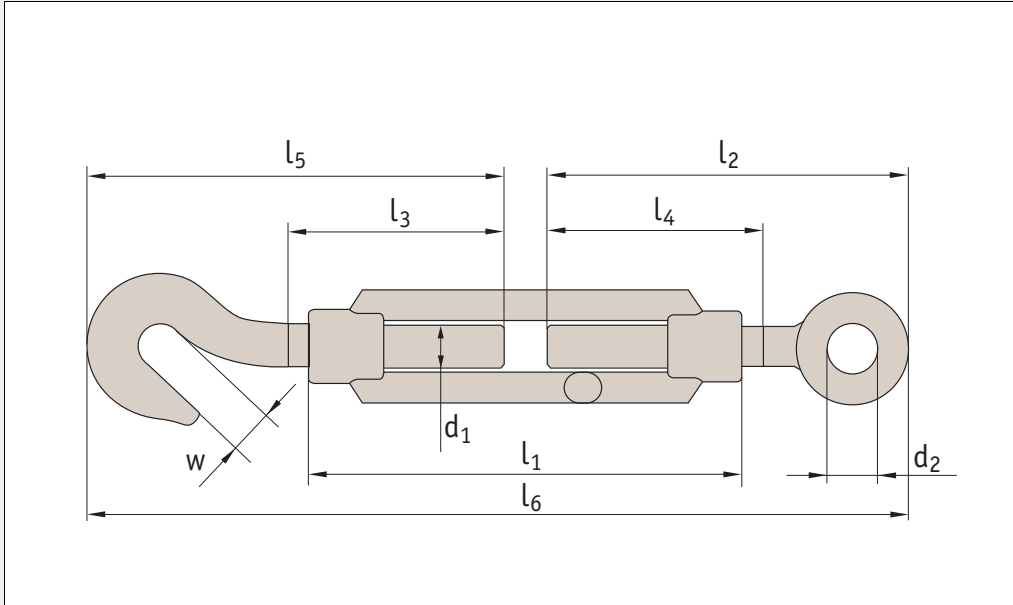
Turnbuckles consist of a metal frame with right hand thread one end and left hand thread the other end. Used for tensioning by rotating turnbuckle body without twisting attached rope or cable.

Order No.	d ₁	l ₁	l ₂	l ₃	l ₄	d ₂	l ₅	l ₆ min	l ₆ max	w	⚖ Kg
R3848.008	M 8	110	68	116	28,75	8,5	125	250	325	9	0,14
R3848.010	M10	125	82	130	29,25	8,5	139	279	364	10,7	0,26
R3848.012	M12	125	90	150	44,75	10,5	160	321	401	15,5	0,40
R3848.016	M16	170	102	172	45,25	12,5	186	372	482	20	0,64
R3848.020	M20	200	115	185	59,5	17	205	410	540	23,5	1,30
R3848.024	M24	255	125	215	62,75	20,5	240	481	651	29	2,28
R3848.030	M30	255	150	255	89,5	25	290	581	741	34	4,02

Hook & Eye Turnbuckles

steel

Turnbuckles



R3850

Material

Steel (1.0037).
Zinc plated (hot dip galvanized).

Technical Notes

To DIN 1480 hook & eye.

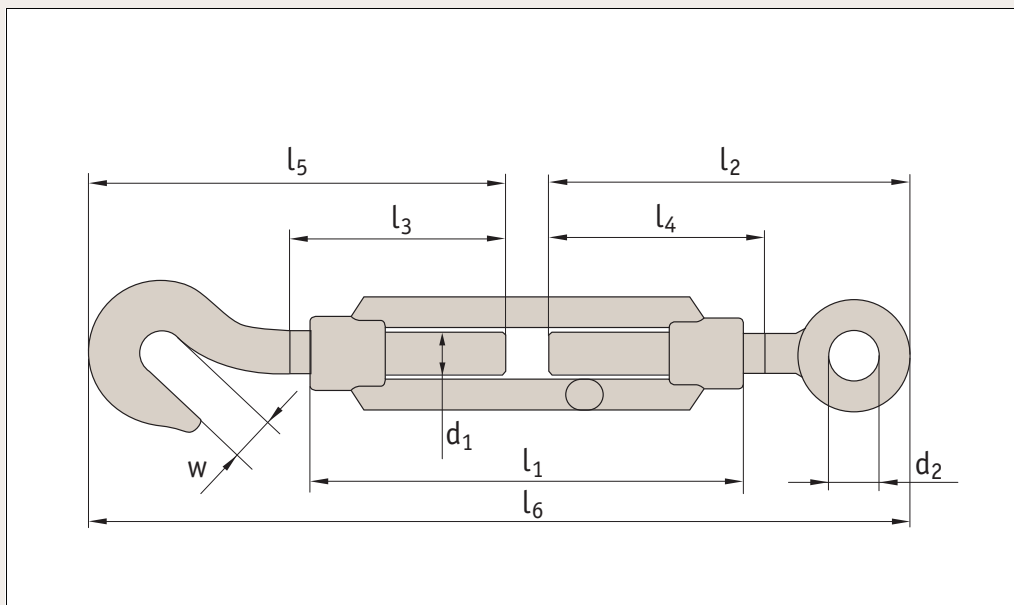
Tips

Turnbuckles consist of a metal frame with right hand thread one end and left hand thread the other end. Used for tensioning by rotating turnbuckle body without twisting attached rope or cable.

Order No.	d_1	l_1	l_2	l_3	l_4	l_5	l_6 min	l_6 max	d_2	w	⚖ Kg
R3850.006	M 6	110	74	50	50	77	151	231	10	8	0,09
R3850.008	M 8	110	80	60	52	98	172	253	11	10	0,15
R3850.010	M10	125	95	73	59	116,5	212	297	15	12,5	0,26
R3850.012	M12	125	107	90	66	146	264	344	17	16	0,40
R3850.016	M16	170	146	100	85	165	311	421	22	16	0,95
R3850.020	M20	200	170	105	100	180	350	480	24	18	1,64
R3850.024	M24	255	213	135	120	225	439	609	33	30	2,85
R3850.030	M30	255	255	140	135	255	511	671	39	30	4,11
R3850.036	M36	295	260	170	140	300	561	741	37	32	7,45



R3852

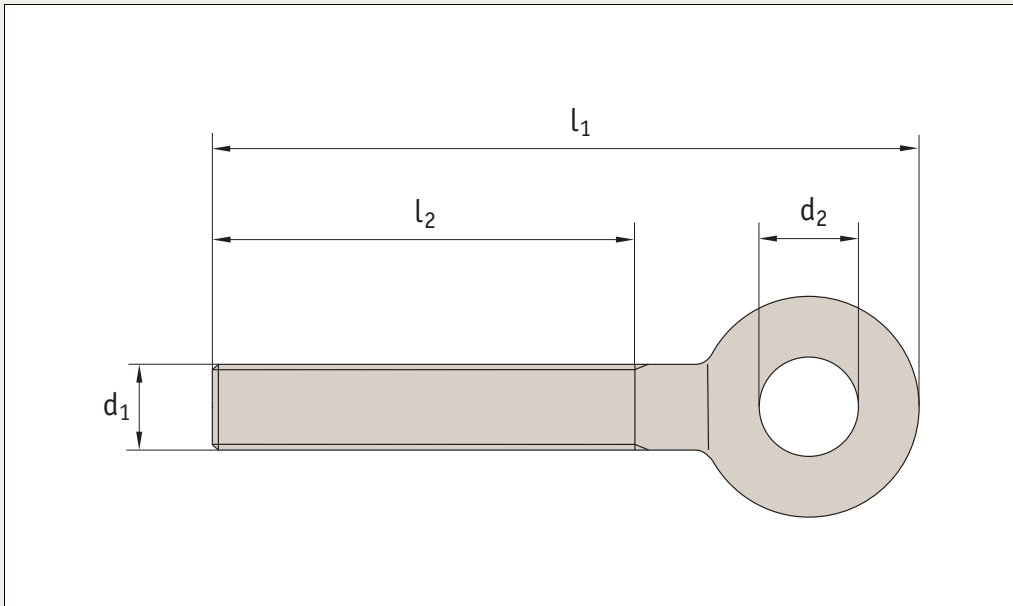


Material
Stainless steel (A4).

Technical Notes
To DIN 1480 hook & eye.

Tips
Turnbuckles consist of a metal frame with right hand thread one end and left hand thread the other end. Used for tensioning by rotating turnbuckle body without twisting attached rope or cable.

Order No.	d ₁	l ₁	l ₂	l ₃	l ₄	l ₅	l ₆ min	l ₆ max	d ₂	w	⚖ Kg
R8352.006	M 6	110	74	50	50	77	151	231	10	8	0,09
R8352.008	M 8	110	80	52	60	98	178	253	11	10	0,15
R8352.010	M10	125	95	59	73	116,5	212	297	15	12,5	0,26
R8352.012	M12	125	107	66	90	146	264	344	17	16	0,40
R8352.016	M16	170	146	85	100	165	311	421	22	16	0,95

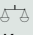


R3860

Material

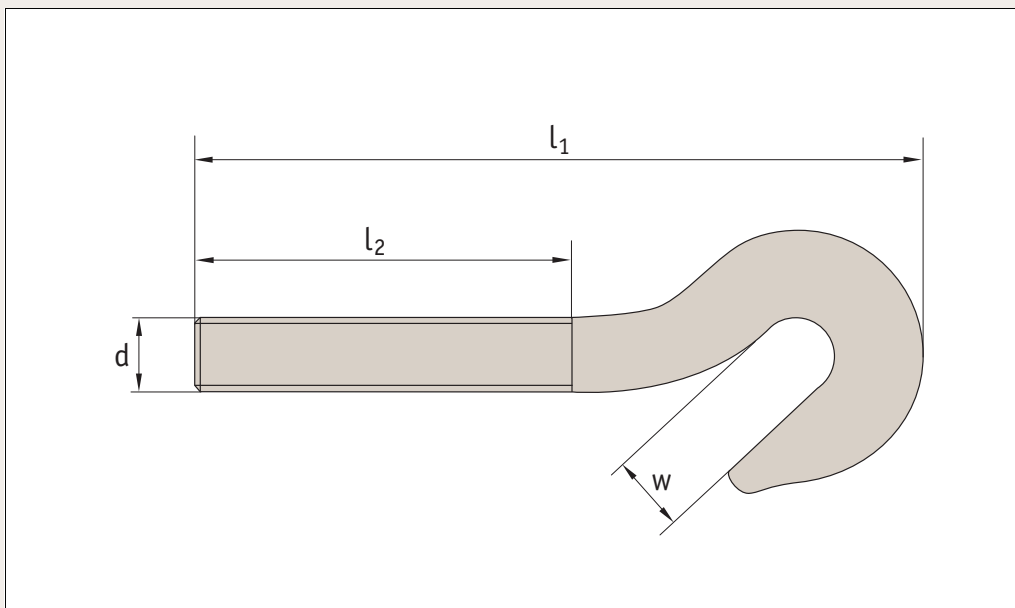
Steel (1.0037).

Zinc plated (hot dip galvanized).

Order No.	Thread (hand)	d ₁	l ₁	l ₂	d ₂	 Kg
R3860.R006	Right	M 6	74	50	10	0,015
R3860.R008	Right	M 8	80	52	11	0,030
R3860.R010	Right	M10	95	59	15	0,050
R3860.R012	Right	M12	107	66	17	0,085
R3860.R014	Right	M14	158	85	18	0,13
R3860.R016	Right	M16	146	85	22	0,21
R3860.R020	Right	M20	170	100	24	0,38
R3860.R022	Right	M22	203	123	30	0,58
R3860.R024	Right	M24	213	134	33	0,83
R3860.R030	Right	M30	255	150	39	1,40
R3860.R036	Right	M36	260	150	37	2,18
R3860.R042	Right	M42	285	165	48	3,19
R3860.R048	Right	M48	335	185	58	4,97
R3860.L006	Left	M 6	74	50	10	0,015
R3860.L008	Left	M 8	80	52	11	0,030
R3860.L010	Left	M10	95	59	15	0,050
R3860.L012	Left	M12	107	66	17	0,085
R3860.L014	Left	M14	158	85	18	0,13
R3860.L016	Left	M16	146	85	22	0,21
R3860.L020	Left	M20	170	100	24	0,38
R3860.L022	Left	M22	203	123	30	0,58
R3860.L024	Left	M24	213	134	33	0,83
R3860.L030	Left	M30	255	150	39	1,40
R3860.L036	Left	M36	260	150	37	2,18
R3860.L042	Left	M42	285	165	48	3,19
R3860.L048	Left	M48	335	185	58	4,97



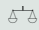
R3862



Material

Steel (1.0037).

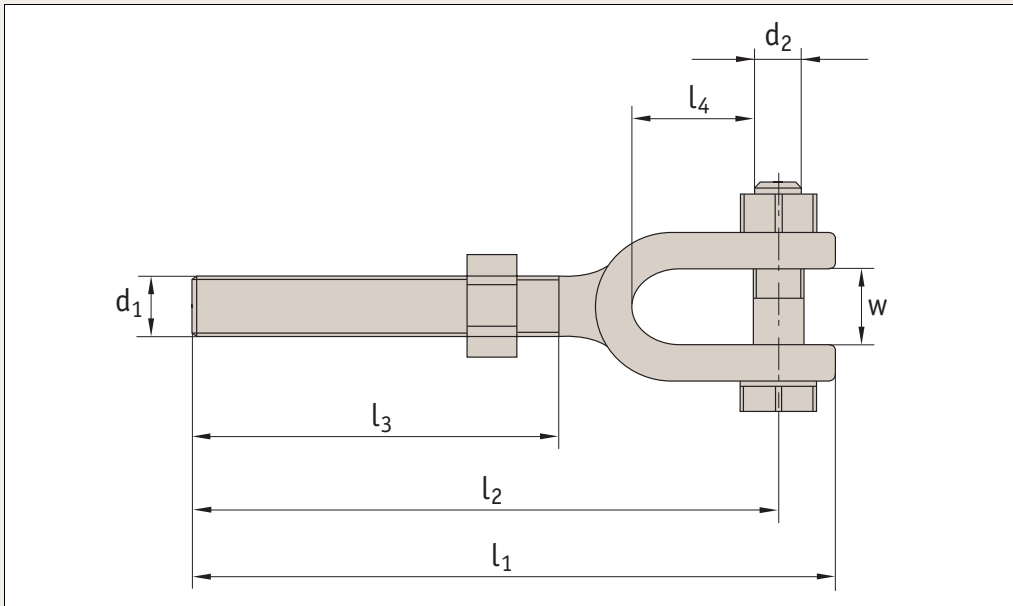
Zinc plated (hot dip galvanized).

Order No.	Thread (hand)	d	l_1	l_2	w	 Kg
R3862.R006	Right	M 6	77	50	9,5	0,016
R3862.R008	Right	M 8	98	60	11	0,034
R3862.R010	Right	M10	116,5	73	14	0,060
R3862.R012	Right	M12	146	90	18	0,113
R3862.R014	Right	M14	140	80	16	0,170
R3862.R016	Right	M16	165	100	19	0,275
R3862.R020	Right	M20	180	105	21	0,440
R3862.R022	Right	M22	215	120	26	0,685
R3862.R024	Right	M24	225	135	29	0,765
R3862.R030	Right	M30	225	140	31	1,325
R3862.R036	Right	M36	300	170	35	2,285
R3862.L006	Left	M 6	77	50	9,5	0,016
R3862.L008	Left	M 8	98	60	11	0,034
R3862.L010	Left	M10	116,5	73	14	0,060
R3862.L012	Left	M12	146	90	18	0,113
R3862.L014	Left	M14	140	80	16	0,170
R3862.L016	Left	M16	165	100	19	0,275
R3862.L020	Left	M20	180	105	21	0,440
R3862.L022	Left	M22	215	120	26	0,685
R3862.L024	Left	M24	225	135	29	0,765
R3862.L030	Left	M30	225	140	31	1,325
R3862.L036	Left	M36	300	170	35	2,285

Jaws for Turnbuckles

steel

Turnbuckles




R3864

Material

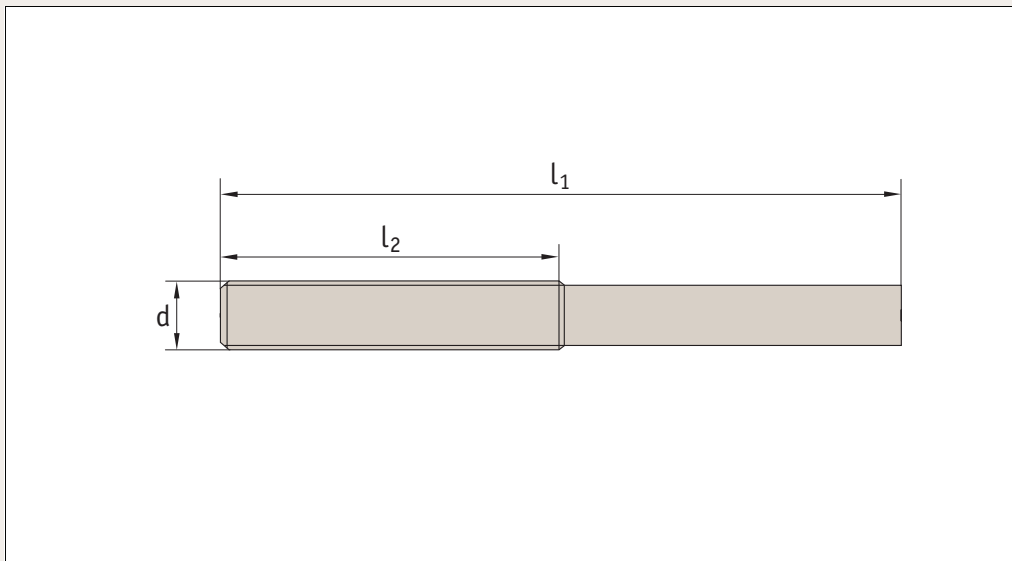
Steel (C45, 1.0503).

Zinc plated (hot dip galvanized).

Order No.	Thread (hand)	d ₁	l ₁	l ₂	l ₃	l ₄	d ₂	w	 Kg
R3864.R008	Right	M 8	125	116	68	28,75	8,5	9	0,095
R3864.R010	Right	M10	139	130	82	29,25	8,5	10,7	0,132
R3864.R012	Right	M12	160	150	90	44,75	10,5	15,5	0,215
R3864.R016	Right	M16	186	172	102	45,25	12,5	20	0,405
R3864.R020	Right	M20	205	185	115	59,5	17	23,5	0,812
R3864.R024	Right	M24	240	215	125	62,75	20,5	29	1,395
R3864.R030	Right	M30	290	255	150	89,5	25	34	2,690
R3864.L008	Left	M 8	125	116	68	28,75	8,5	9	0,095
R3864.L010	Left	M10	139	130	82	29,25	8,5	10,7	0,132
R3864.L012	Left	M12	160	150	90	44,75	10,5	15,5	0,215
R3864.L016	Left	M16	186	172	102	45,25	12,5	20	0,405
R3864.L020	Left	M20	205	185	115	59,5	17	23,5	0,812
R3864.L024	Left	M24	240	215	125	62,75	20,5	29	1,395
R3864.L030	Left	M30	290	255	150	89,5	25	34	2,690



R3866



Material
Steel (1.0037 up to M36, above M36
1.0052).
Zinc plated (hot dip galvanized).

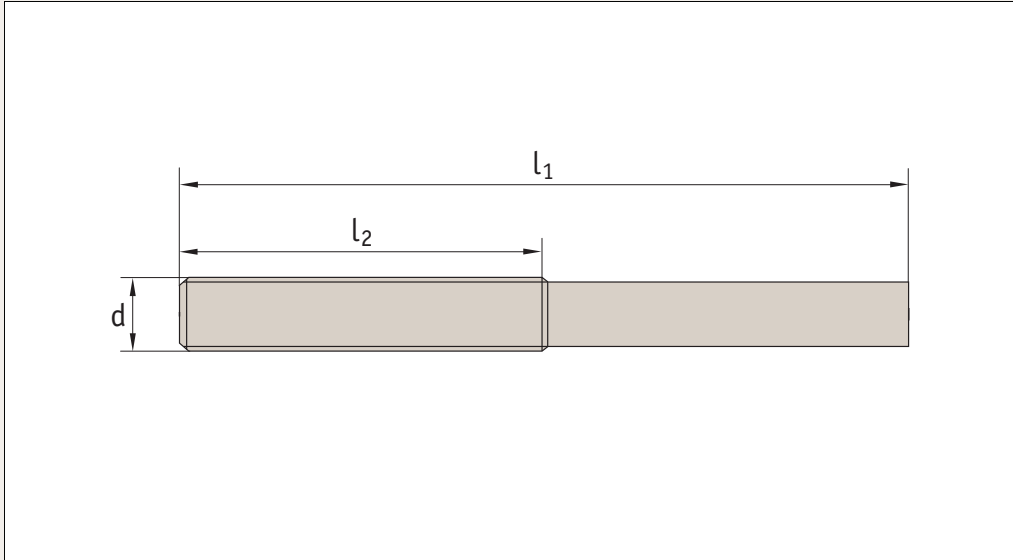
Technical Notes
To DIN 34828.

Order No.	Thread (hand)	d	l_1	l_2	$\Delta \pm \Delta$ Kg
R3866.R006	Right	M 6	120	60	0,02
R3866.R008	Right	M 8	120	65	0,04
R3866.R010	Right	M10	150	75	0,07
R3866.R012	Right	M12	150	75	0,11
R3866.R014	Right	M14	165	80	0,15
R3866.R016	Right	M16	200	100	0,26
R3866.R020	Right	M20	200	120	0,44
R3866.R024	Right	M24	260	150	0,76
R3866.R030	Right	M30	260	160	1,20
R3866.R036	Right	M36	300	180	2,10
R3866.R042	Right	M42	350	200	3,15
R3866.R048	Right	M48	380	220	4,60
R3866.R056	Right	M56	380	230	6,28
R3866.R064	Right	M64	425	300	9,16
R3866.R072	Right	M72	400	270	4,60
R3866.L006	Left	M 6	120	60	0,02
R3866.L008	Left	M 8	120	65	0,04
R3866.L010	Left	M10	150	75	0,07
R3866.L012	Left	M12	150	75	0,11
R3866.L014	Left	M14	165	80	0,15
R3866.L016	Left	M16	200	100	0,26
R3866.L020	Left	M20	200	120	0,44
R3866.L024	Left	M24	260	150	0,76
R3866.L030	Left	M30	260	160	1,20
R3866.L036	Left	M36	300	180	2,10
R3866.L042	Left	M42	350	200	3,15
R3866.L048	Left	M48	380	220	4,60
R3866.L056	Left	M56	380	230	6,28
R3866.L064	Left	M64	425	300	9,16
R3866.L072	Left	M72	400	270	4,60

Welding Studs

stainless steel

Turnbuckles



R3868

Material
Stainless steel (A4).

Technical Notes
To DIN 34828.

Order No.	Thread (hand)	d	l ₁	l ₂	±0.3 Kg
R3868.R006	Right	M 6	120	60	0,02
R3868.R008	Right	M 8	120	65	0,04
R3868.R010	Right	M10	150	75	0,07
R3868.R012	Right	M12	150	75	0,11
R3868.R014	Right	M14	165	80	0,15
R3868.R016	Right	M16	200	100	0,26
R3868.R020	Right	M20	220	120	0,44
R3868.R024	Right	M24	260	150	0,76
R3868.R030	Right	M30	260	160	1,20
R3868.R036	Right	M36	300	180	2,10
R3868.L006	Left	M 6	120	60	0,02
R3868.L008	Left	M 8	120	65	0,04
R3868.L010	Left	M10	150	75	0,07
R3868.L012	Left	M12	150	75	0,11
R3868.L014	Left	M14	165	80	0,15
R3868.L016	Left	M16	200	100	0,26
R3868.L020	Left	M20	220	120	0,44
R3868.L024	Left	M24	260	150	0,76
R3868.L030	Left	M30	260	160	1,20
R3868.L036	Left	M36	300	180	2,10